

Parts & accessories to maintain and enhance your classic

MGA



Including over 60 pages
brimming with restoration parts supported
by technical advice & detailed schematics



Performance



Exterior



Interior



Personal



for the latest prices visit moss-europe.co.uk

Ordering from MOSS

WHEN ORDERING...

Remember, supplying details of your car, (i.e: engine, commission or VIN, LHD / RHD, year and any modifications) will save time and help us process your order correctly. We will be pleased to provide a full parts quotation, detailing price, availability and shipping costs, upon request.

SHIPPING & DISPATCH

Orders for delivery in the UK may be dispatched by regular post for small/lightweight items, larger items may be dispatched via a courier. Please call us for the best delivery option for your order and the latest delivery prices.

For delivery outside the UK we offer the following services. Economy delivery (by road): 2 to 5 days (approximately). Express delivery (by air): 1 to 2 days (Guaranteed). For small and low value orders we also use airmail. For these services, please ask for prices and the best delivery option when you place your order. Most deliveries (except airmail) are 'trackable', (inc: e-mail updates and internet access for selected carriers). Please remember, all carriage charges are dependent on either gross weight or volumetric weight, whichever is greater. If a quotation is required prior to placing your order, please contact a member of the sales department. Alternatively, you can arrange your own collection.

UK OPENING TIMES

Open Monday to Friday
9.00am to 5.30pm

Saturday
9.00am to 1.00pm
(Closed Sunday & Bank Holidays)

See website for Paris opening times

COLLECT FROM BRANCH

Why not reserve and collect your order from one of our branches?

ONLINE

If ordering online select the 'collect from branch/ arrange own pick up' option on the 'Delivery Method' page during checkout. Then select the branch you want to collect your order from. You will receive an email confirming your order and selected branch.

EMAIL

Send an email to sales@moss-europe.co.uk with the title of "Branch Collection". Your e-mail must contain the following information: Your full name, address, daytime contact number, desired branch for collection and part numbers.

COLLECTION

Our sales team will contact you when your order is ready to collect. You will then be able to collect and pay for your order at your requested branch during store open hours. On collecting your order you may be asked to confirm your address.

PRICING

Due to the volatility of world markets and currency fluctuations the prices in this catalogue are subject to change.

Moss make every attempt to keep prices competitive and stable, however in common with all other suppliers in our industry, we reserve the right to alter prices without prior notice. For the latest prices, please call or visit our website moss-europe.co.uk.

All prices are per unit (unless otherwise stated) and include (UK) VAT at 20% (where applicable). Please note EU countries may be charged at their local VAT rate, countries outside the EU will not be charged VAT. See the ordering information

or our website for further details. Prices are correct at the time of going to print, postage & packaging is not included. E&OE.




90 DAY MONEY BACK PEACE OF MIND WARRANTY

It's simple, if you change your mind for any reason, all uninstalled parts still in their original condition and packaging may be returned to us within 90 days from the date of purchase for a full refund. A copy of the original invoice or picking label must accompany the return. Return freight is paid by the customer, unless returned due to our error.

In the event of a part failing in use, all parts are warranted against defects in materials and workmanship for 12 months from the date of purchase. Please remember that all returns must be accompanied by the original invoice, return freight will be reimbursed. For more details see our website or contact your local branch.

Keep up to date with our latest news and tell us yours.

Join us on:

-  [facebook.com/mosseurope](https://www.facebook.com/mosseurope)
-  twitter.com/mosseurope
-  [pinterest.com/mosseurope](https://www.pinterest.com/mosseurope)

WEBSITE
moss-europe.co.uk

FRENCH WEBSITE
moss-europe.fr



LONDON

Unit 16, Hampton Business Park
Bolney Way, Feltham
TW13 6DB

London Tel
+44 (0) 20 8867 2020

E-mail
sales@moss-europe.co.uk

Fax
+44 (0) 20 8867 2030



BRADFORD

Unit 12-13, Acorn Park Ind. Est.
Otley Road, Shipley
BD17 7SW

Bradford Tel
+44 (0) 1274 539 999

E-mail
bradford@moss-europe.co.uk

Fax
+44 (0) 1274 539 990



BRISTOL

1-3 Elton Street
Bristol
BS2 9EH

Bristol Tel
+44 (0) 117 923 2523

E-mail
bristol@moss-europe.co.uk

Fax
+44 (0) 117 942 8236



MANCHESTER

111-117 Stockport Road
Stockport, Cheshire
SK3 0JE

Manchester Tel
+44 (0) 161 480 6402

E-mail
manchester@moss-europe.co.uk

Fax
+44 (0) 161 429 0349



PARIS

7 rue Chaponval
ZAC du Cornouiller
78870 Bailly, France

Paris Tel
+33 (0) 1 30 80 20 30

E-mail
sales@moss-europe.fr

Sav
+33 (0) 1 30 80 21 50

A	Exhaust fitting kitsA07	O	Washer pumpA35
AerialsA46	Exhaust heat insulationA06	Oil catch tanksA13	Waterproof blanketA43
AeroscreensA32	Exhaust manifoldsA06	Oil cooler radiators & kits ...A13	Weber manifoldsA18
Air filtersA19	Exhaust tail pipesA06	Oil filtersA13	Wheel nutsA27
Air socksA17	Exhaust twin pipe silencer ...A06	Oil pressure switch & valve ...A13	Wheel spacersA28
Alternator conversion kitA10		OvermatsA38	WheelsA27-29
AlternatorsA12	F		Wheel trimsA27
Anti-roll bar kitA05	Fan kitsA12	P	White wall tyre trimsA29
Armrest kitsA35	Flying helmet & gogglesA42	Paddy Hopkirk pedalA37	Wind wingsA32
Axle hub spannersA29	Fuel capsA24	Piper air socksA17	Wire wheel accessoriesA29
	Fuel pumpsA15	Poster - through the agesA41	Wire wheel conversion kit ...A28
B	Fuel regulatorsA15	Pro start buttonA35	Wire wheelsA29
Badge barA25			Workshop apronA41
BadgesA25	G	R	
Bar stoolA43	Gaiter finisher kitA37	RadiatorsA12	
BatteryA12	Garage signsA43	Radio speakersA46	
Battery cut-off switchesA10	Gear knobsA37	RadiosA46	
Bonnet strapsA27	Gearbox conversionsA14	Ram pipesA17	
Books & manualsA40	Glasses - wine & beerA43	Rev limitersA08	
Boot lockA24	Grab handleA35	Reverse & fog lampsA30	
Boot racksA24	Grose jetsA17	Rocker cover & fittingsA21	
Bosses & accessoriesA36-37	Grille insertA25	Roller rocker kitsA20	
Brake hosesA04			
Brake padsA04	H	S	
Brake pipe kitsA05	Harness kitsA39	Seat belt shoulder padsA41	
Brake servo kitA04	Hazard warning light kitA35	Seat beltsA38-39	
Breather filtersA19	Head fastenersA21	Side screen setsA34	
	Head gasketsA20	SmartScreen wiper system ...A32	
C	Headlamp peaksA30	Spare tyre coverA38	
Cable lock for car coversA32	Headlamp protectorsA30	Spark plug & terminalsA09	
CapsA43	Headlamp relay kitsA31	Spot & fog lampsA30	
Car coversA32	Headlamp stone guardsA30	Starter motorA10	
Carburettor capsA15	HeadlampsA31	Steering wheelsA35-36	
Carburettor components ...A15-17	HeadlampsA31	Stepped adaptorA06	
CarburettorsA18	Heated blanketA41	Stone guardsA30	
Centre lock conversion kits ...A28	Heatshield insulationA38	Street art plaqueA43	
Centre lock spinnersA28	HID headlamp kitsA31	SunvisorsA32	
Close ratio gear setA14	HoodsA34	Supercharger kitA10	
Clutch hosesA14	HornsA25	Suspension bushesA05	
Clutch platesA14	HT leadsA08	SwitchesA30	
Cockpit trim setsA37	HubcapsA27		
Cold air intakeA17		T	
Competition lap beltA39	I	Tail light kitA31	
Cup holderA37	Ignition key blanksA36	Tax disc holdersA43	
Cylinder headsA20-21	Ignition lead numbering set ...A08	Telescopic conversion kits ...A05	
	Ignition systemsA08-09	Thermal mugsA42	
D		Throttle discsA15	
DashboardsA35	J	Throttle linkagesA18	
Dashpot coversA17	Jack bagsA44	Tonneau coversA34	
Decal KitsA25	Jack screw typeA44	Tool rollsA44	
DecalsA27		Travel bagsA42	
Disc brake conversion kitA04	K	Travel casesA42	
Distributor spring setA08	K&N air filtersA19	T-ShirtsA41	
DistributorsA09	Key fobsA43	Tyre valve capsA29	
Driving glovesA43			
DVD'sA40	L	U	
DynamatA44	Lamp coversA30	Union flagA41	
Dynator charging systemA12	Limited slip differentialA14		
	Luggage systemA24	V	
E		Valves & guidesA20	
EarringsA41	M		
Embroidered patchesA41	MirrorsA22	W	
Exhaust systemsA07	MugsA43	Wallets & pursesA42	

Sections

Performance A04

Exterior A22

Interior A35

Personal A40

black & white Restoration Section

Restoration
Parts 01

Ordering
Information 64



Moss Europe Ltd are proud to support the FBHVC

The Federation of British Historic Vehicle Clubs exists to uphold the freedom to use old vehicles on the road.

Where the price is replaced with NCA this part is Not Currently Available. Please visit our website (moss-europe.co.uk) or call our sales staff for the latest availability information or to enquire if we can offer an alternative part.

MGA001 ©Copyright Moss Europe Ltd. March 2016. Printed in the U.K. All rights reserved. No part of this publication may be reproduced, stored in a retrieval system, or transmitted in any form by any means, electronic, photocopying, recording or otherwise without prior written consent of Moss Europe Ltd. Please note: Product colours may vary slightly to samples featured in this catalogue, due to the limitations of colour printing.



TMK30771

MGA 1500 disc brake conversion kits

Drum brake models can be easily converted to disc brakes with these kits. The kits use our specially machined aluminium adaptor plates that use existing mounting points on the stub axle to provide a caliper mounting position. Suitable for use with either bolt-on or knock-on wheels.

The kit includes:

- Caliper adaptor plates
- Brake calipers, pair
- Brake discs, pair
- Brake pads, standard, car set
- Brake hoses, pair
- Hardware

Two kits are available with a choice of MGA 1600 or MGB calipers. Both kits use standard MGA 1600 type of brake discs with pads to suit the calipers.

If fitting to a car with bolt-on wheels you will need to obtain two front disc brake type hubs from a 1600/MkII. These are no longer available new, but may be found secondhand. Owners who have converted to knock-on wire wheels will have a spare pair. We recommend replacing hub bearings if using second-hand hubs. This disc conversion can be easily done in conjunction with a centre lock (wire wheel) conversion as you will use the new hubs in the centre lock conversion kit.

- Disc brake conversion kit MGB calipersTMK30770 . .£400.00
- Disc brake conversion kit MGA calipersTMK30771 . .£490.20

EBC brake pads

EBC brake products are renowned for their high quality and excellent performance. All grades of brake pads use Kevlar as the binding material rather than the traditional steel, this prevents the build up of corrosive brake dust that can damage alloy wheels. We stock their Ultimax and uprated Greenstuff pads.



TMG30751GS

EBC Greenstuff brake pads are a high efficiency upgrade pad which will increase your car's stopping power by 20% over standard replacement pads. Tested in rally cars, these pads are high friction, fade resistant with immediate pedal response. The Kevlar based formulation is guaranteed to meet or exceed performance of all original equipment pads with strong progressive braking, reduction of dust on wheels and fantastic wear life.

- Greenstuff brake pad setTMG30751GS .£38.00
- (For MGB caliper conversion).

for the latest prices visit moss-europe.co.uk



TMG30751AF

Uprated brake pads

Mintex brake pads

Mintex M1144 is a hard wearing material ideal for fast road and track day use, giving good wear resistance.

- Mintex M1144 brake pad setTMG30751AF .£64.70
- (For MGB caliper conversion).



8G8379G

EBC Greenstuff brake pads for standard disc brakes

For 1600cc and MkII models with standard disc brakes we can also supply EBC Greenstuff brake pads.

- Greenstuff brake pad set8G8379G . . .£93.91
- (For standard MGA 1600 & MkII calipers).

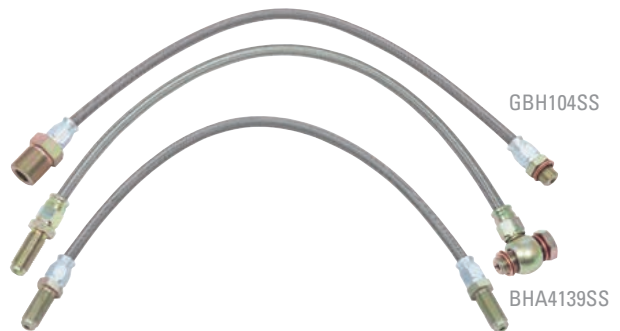


TT3949

Remote brake servo kit

For those who find the brake pedal rather hard after driving more modern vehicles, these remote servo kits make braking easier by reducing pedal effort. Suitable for all single line brake circuits they are remote mounted and easily plumbed into the hydraulic and vacuum systems of the car. We offer both a Lockheed and aftermarket kit, both are supplied with mounting brackets and hardware.

- Remote brake servo kit LockheedTT3949 . . .£180.00
- Remote brake servo kit aftermarketTT3949Z . . .£92.30



GBH104SS

BHA4139SS

GBH165SS

Braided brake hoses

These race inspired steel braided brake hoses not only look great, but because they don't swell under pressure, they provide a much firmer feel to the brake pedal.

- 1500cc front and rearGBH104SS . .£22.10
- 1600cc frontBHA4139SS . .£27.40
- 1600cc rearGBH104SS . .£22.10
- Twin Cam front (standard front suspension) . . .GBH165SS . .£29.30
- Twin Cam rearGBH104SS . .£22.10



Copper brake pipe kits

These non-rust, copper brake pipe sets are ready assembled with brass end fittings. The pipes are pliable for easy installation.

MGA 1500cc (to (c)27988) steel wheel RHD	..GAC5024X	..£89.17
MGA 1500cc ((c)27989 on) steel wheel RHD	..GAC5024	..£74.50
MGA 1500cc (to (c)28539) wire wheel RHD	..GAC5024X	..£89.17
MGA 1500cc ((c)28540 on) wire wheel RHD	..GAC5024	..£74.50
MGA MkII-1600cc RHDGAC5025	..£65.70
MGA Twin Cam and De Luxe RHDGB5051	..£96.71
MGA 1500cc (to (c)27988) steel wheel LHD	..GAC5024XL	..£88.00
MGA 1500cc ((c)27989 on) steel wheel LHD	..GAC5024L	..£80.90
MGA 1500cc (to (c)28539) wire wheel LHD	..GAC5024XL	..£88.00
MGA 1500cc ((c)28540 on) wire wheel LHD	..GAC5024L	..£80.90
MGA MkII-1600cc LHDGAC5025L	..£70.00



MGA front anti-roll bar kit

An anti-roll bar is the easiest effective modification to improve the handling of your MGA. The Moss Special Tuning handling kit for the MGA has been carefully designed to produce excellent road-holding whilst preserving ride quality without the need for any further chassis modifications.

Front anti-roll bar kitGAC2004X ..£209.00
 (When fitting an anti roll bar kit to pre 66574 chassis number cars the front chassis extension (AHH5924) from post 66574 cars must be used, as the AHH5924 was modified to allow fitment of a factory supplied ARB).

Individual and replacement parts

Anti-roll barAHH5940	..£112.70
Bar to wishbone link RHAHH5931	..£19.10
Bar to wishbone link LHAHH5932	..£19.10
Front wishbone arm RHAHH5927	..£8.00
Front wishbone arm LHAHH5929	..£8.00
Anti-roll bar bush (2 required)AHH5934	..£5.05
Anti-roll bar bush retainer (2 required)AHH5935	..£12.75
Bolt kit (1 required)AHC146K	..£2.80
Set screw (4 required)SH605051	..£0.20
Spring washer (4 required)GHF332	..£0.19
Nut (4 required)GHF201	..£0.08

Vehicles prior to chassis 66574 also require:

Chassis extension assembly (2 required)AHH5924	..£230.00
Wishbone pan (2 required)AHH5925	..£26.40
Wishbone pan bolt kit (2 required)AHH5925BK	..£2.00



TMG30715

Telescopic damper conversion kits

MGA rear telescopic damper conversion kit

An easy way to improve your cars handling is to replace the traditional lever arm dampers with one of our telescopic kits. Kits come complete with dampers, brackets and full instructions.

MGA rear Spax telescopic conversion kitTMG30715	..£185.00
MGA rear Koni telescopic conversion kitTMK30717	..£248.20
MGA rear Gaz telescopic conversion kitTMG30715G	..£181.20



TT30711PR TMG30712PR TMG30713

Replacement MGA telescopic dampers

These units can only be used when the lever arm units have been replaced. Dampers should always be replaced in pairs.

Spax replacement rear damper (pair)TT30711PR	..£105.00
Koni replacement rear damper (pair)TMG30712PR	..£107.00
Gaz replacement rear damper (each)TMG30713	..£77.30



BHH123SPK

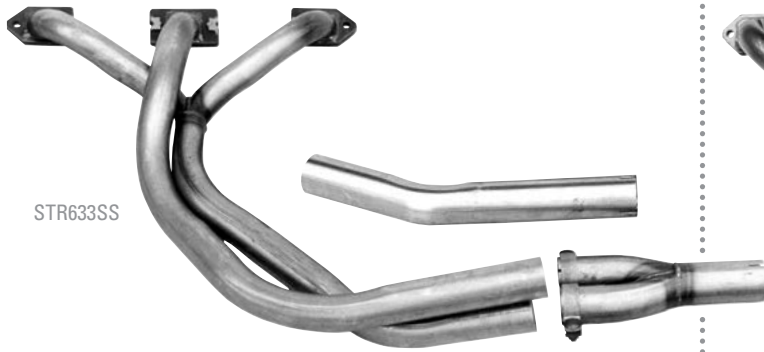
Upgraded suspension bushes

These upgraded suspension bushes are suitable for original suspension layouts. A much tighter feel for the handling can be achieved by fitting upgraded suspension bushes, they can be a harder grade of rubber or polyurethane.

Nylatron bushes are for competition only, they must also be fitted carefully to ensure the correct working clearance is obtained - and they must be inspected on a regular basis.

MGA front suspension bushes

Front inner wishbone bush steel (4 per car)BHH1123£1.20
Front inner wishbone bush kit poly (1 per car)	..BHH1123SPK	..£38.30
Front inner wishbone bush nylatron (8 per car)	..TMG30763£4.57

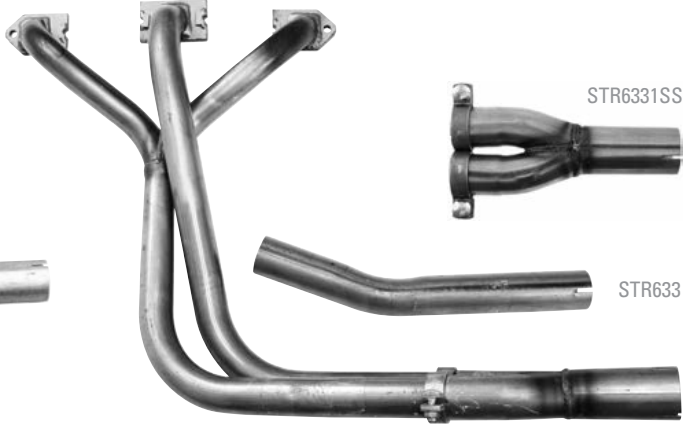


STR633SS

Moss sports exhaust manifolds

Sports extractor manifolds improve gas flow by allowing the engine to breathe far more efficiently. Our sports exhaust manifolds are produced using mandrel bending equipment to give full diameter pipe bends.

When fitting tubular manifolds you are advised to check the flange thickness is the same as the inlet manifold prior to fitting and adjust as required. If fitting a sports extractor manifold (that is designed primarily to be used with a sports exhaust) to a standard system, full potential and effect of our extractor manifolds will not be utilised. For replacement/individual components and fittings, please see the Restoration section. All our stainless steel manifolds are made in 409 grade stainless steel and will fit both RHD & LHD cars.



STR6331SS

STR633

MGA 1500-1600cc Moss sports manifolds (Not suitable for MGA Twin Cam).

These 3-branch manifolds are a direct replacement for the original cast iron unit. To maximise power we suggest you fit the sports manifold with our MGA sports exhaust system STR634/STR634SS. Can be used with standard exhaust, which will require shortening and clamping.

1500-1600cc mild steel manifold	STR633	£270.00
1500-1600cc stainless steel manifold	STR633SS	£409.40
1500-1600cc stainless steel Y piece	STR6331SS	£123.31

Stepped adaptor

This useful adaptor allows the fitting of any back box to a standard system. Simply cut the existing system where appropriate.

Stepped adaptor 1.25" to 2"	PME43X	£20.25
---------------------------------------	--------	--------



Twin pipe sports silencer

Our free flow sports silencer increases engine efficiency by reducing back pressure. Sounds good too! Black finish with twin chrome tail pipes. Mounts to existing front pipe. (Not suitable for Twin Cam).

Twin pipe sports silencer	STR705SB	£276.70
-------------------------------------	----------	---------



Exhaust tail pipe trim with MG logo

For that true classic look for your MG exhaust, this high quality stainless steel clamshell shape tail pipe trim is just the thing, with the MG logo.

Exhaust tail pipe trim	224-140	£107.40
----------------------------------	---------	---------



Exhaust heat insulation

Wrapping a tubular manifold will keep engine bay heat to a minimum, reducing engine bay temperatures by up to 70%. This will benefit power in two ways; firstly it will reduce the temperature of the air going into the engine; secondly, it improves the effectiveness of the manifold by increasing gas speed due to lower gas density, increasing the scavenging effect. Manifold wrap is supplied in rolls in a variety of sizes. Use Snap Straps to hold the wrap or blanket in position.

Roll size (w x l)	Natural	Black
1" x 15' roll	GAC150£12.55	GAC151£14.60
2" x 15' roll	GAC152£20.80	GAC153£22.90
1" x 50' roll	GAC154£36.70	GAC155£40.80
2" x 50' roll	GAC156£62.50	GAC157£68.90

Manifold blanket

Using a manifold blanket provides excellent heat retention for exhaust manifolds and can be easily installed to both cast iron and tubular manifold.

Manifold blanket 4-6 cylinder	GAC182	£105.35
---	--------	---------

Snap Straps

Snap Strap kit 8 x 9" & 4 x 18" lengths	GAC172	£33.60
Snap Strap kit 6 x 9" & 4 x 18" lengths	GAC173	£29.30
Snap Strap kit 12 x 9" lengths	GAC174	£31.50
Snap Strap kit 6 x 18" lengths	GAC175	£20.80
Snap Strap kit 4 x 14" lengths	GAC176	£10.44

Exhaust heat shield

Exhaust heat shield can be used on the underside of the floors where the exhaust runs close to the floor particularly above silencers and catalytic converters. It effectively reflects 90% of the radiant heat from exhausts and can withstand temperatures up to 1000°C.

Exhaust heat shield 40" x 24"	GAC184	£83.45
High temperature adhesive	GAC9908X	£9.37



- Manufactured from 304 grade stainless steel
- Mirror polished
- Tailpipe angled away from the overrider
- 5 Year limited warranty (Conditions apply)

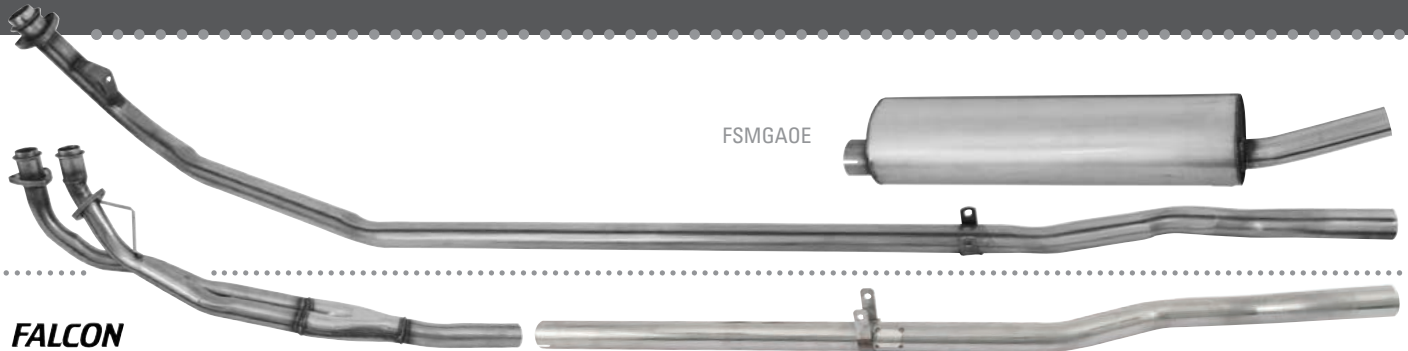
Tourist Trophy exhaust system

Treat your MGA to one of the finest sports exhausts available...

This beautiful Tourist Trophy polished stainless steel sports exhaust system is available for MGA 1500cc and 1600cc models and is manufactured using the highest quality materials and workmanship. The box is packed with a combination of stainless steel wire wool and fibreglass, this give a throaty exhaust note under acceleration that isn't intrusive when cruising.

Warranty info: This system is warranted to the original purchaser of record and for the original vehicle on which the product was installed, against defects in materials and workmanship for 5 years. Moss' sole obligation under this warranty shall be limited to repair or replacement at Moss' option, provided that the silencer discloses a manufacturing defect. Warranty is void if any defects are caused by a physical impact of any kind.

1500-1600cc Tourist Trophy stainless steel system .454-879 ...£170.00



FSMGAOE

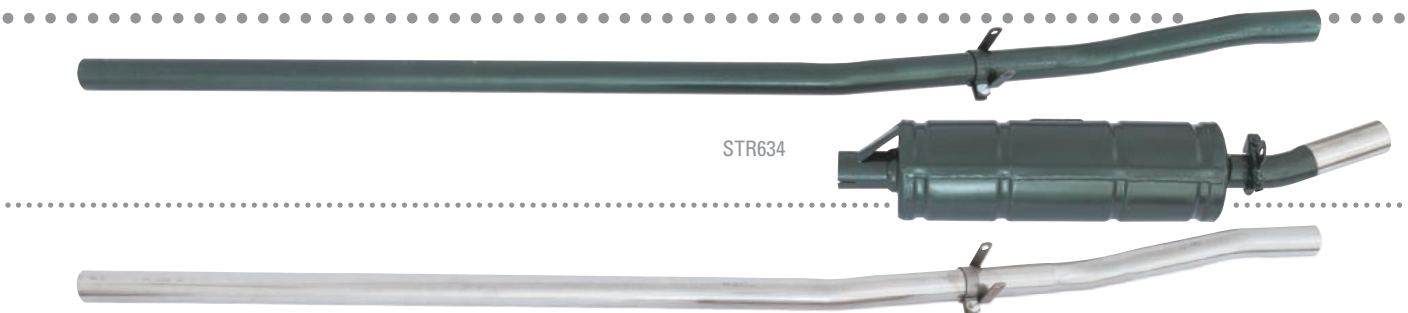
FALCON

Falcon stainless steel exhaust systems

If you want to keep the standard style of exhaust but you want the longevity of stainless steel, then we recommend using one of our Falcon high quality exhaust systems. For individual replacement components, exhaust mountings and detailed model specifications, refer to page 18 of the Restoration section.

FSMGATC

1500-1600cc stainless steel 2 piece systemFSMGAOE . .£164.00
Twin Cam stainless systemFSMGATC .£246.20



STR634

Moss performance exhaust systems

These performance exhaust systems are specifically designed for the MGA. To get the best out of them they should be used with one of our tubular extractor manifolds. Not only do they help improve your cars performance, they also look and sound better.

For replacement parts or fitting kits please see page 18 of the Restoration section or contact your nearest Moss branch. If fitting a sports system to standard cast iron manifold/down-pipe, the full potential and effect of a sports systems will

STR634SS

not be utilised. All our stainless steel exhausts are made in 304 grade stainless. These systems are designed to be used with our sports extractor manifolds STR633 (mild steel) or STR633SS (stainless steel) to maximise performance.

1500-1600cc mild steel performance exhaust . . .STR634 . .£195.00
1500-1600cc stainless steel performance exhaust .STR634SS .£362.40

Falcon and standard system fitting kits

1500-1600cc front fitting kitGEK1008 . .£10.50
1500-1600cc intermediate fitting kitGEK1002 . .£7.00
1500-1600cc rear fitting kitGEK1009 . .£8.80

Replacement stainless steel exhaust clamps

High quality 'Mikalor' stainless steel band clamps.

Exhaust clamp 1 1/2"TT9930S . .£2.20

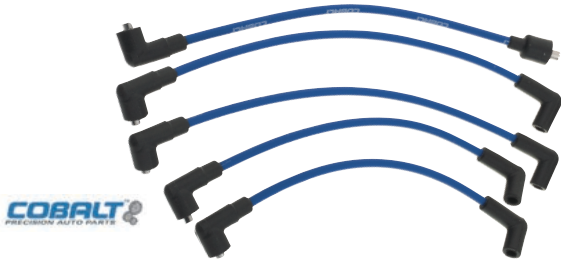


GEK1008

GEK1002

TT9930S

Exhaust clamp 1 5/8"TT9931S . .£2.40
Exhaust clamp 1 3/4"TT9932S . .£3.30
Exhaust clamp 1 7/8"TT9933S . .£2.50
Exhaust clamp 2"TT9934S . .£2.50



Cobalt performance HT leads

Cobalt performance HT leads are designed to give high performance and reliability. Using a stainless steel conductor for maximum conductivity, EPDM insulation with fibreglass braiding and a silicone outer sleeve give these leads excellent resistance to temperature, fuel and oil. Locking terminals and compact silicone boots keep them connected even under high vibration. They carry a lifetime warranty against materials and workmanship!

Cobalt silicone HT lead setTMG10772 ... **£21.00**



Push fit distributor capGDC103 **£4.80**
(Not suitable for MGA Twin Cam and requires a top entry distributor cap).



TT2982M

Bumble bee competition HT lead

If you want a performance HT lead with the correct period look then this 'bumblebee' lead is a must. As per the original 'Lucas' type it features a high conductivity copper core with a yellow insulator featuring a black stripe. Alternatively, use the standard black lead for an 'OE' look. We recommend you assemble leads with NGK suppressed plug caps.

Bumblebee HT lead (per metre)TT2982M **£6.00**
HT lead (per metre) - blackAAA5981M ... **£2.90**



HT lead numbering set

Keep track of which HT lead is which with a set of four numbered sleeves.

HT lead numbering set 4 cylinderCRST255 **£3.70**



SmoothCut rev limiters

These rev limiters could save you from an expensive bill. Designed to allow full use of power up to maximum revs, where they will not exceed the preset limit. They work by progressively miss-timing the spark preventing an increase in engine speed from over revving due to missed gears or over exuberance.

SmoothCut rev limiter 4 cylinder preset 6000rpm .TT2987 **£92.59**
SmoothCut rev limiter adjustable limitRL5 **£141.90**



222-405

Pertronix ignition

These completely self contained electronic ignition units offer a simple alternative to traditional points and condenser arrangement. They are easy to install with no external control boxes to mount and only two wires to hook up and no permanent modifications involved. The unit uses a sealed Hall Effect sensor that is impervious to dirt, dust, moisture, or vibration and retains standard advance curve. Unaffected by distributor shaft wear, maintains firing accuracy to within 1/4°, reduces spark scatter over the full rpm range. One year warranty.



222-605

Pertronix ignition Lucas 23-24-25D4222-405 **£106.00**
Pertronix ignition Lucas DM2 distributor - earth222-605 **£105.35**
Pertronix ignition Lucas DM2 distributor + earth222-615 **£105.35**



Advance spring set

This set of 5 specially selected distributor advance springs will allow you to adjust your unit to suit your engines requirements. Lucas distributors only.

Advance spring set (Lucas)TT1903 **£10.20**

GCL1110



TT2981

Sports coil

Sports coils are designed to improve ignition performance. They give more reliable starting power and greater performance at high revs thanks to the 40,000 volt output. Don't forget to renew your plugs and leads to optimise the power. Your HT lead into the coil will need to be the push-in type, use GCL1110 to convert the lead.

Sports coil non-ballast type TT2981..... **£19.30**
Ignition lead end kit..... GCL1110 **£1.33**

GAC8470X



GAC8470CC



Stainless steel coil clamp and cover

Brighten up your engine bay with our coil clamp and covers for standard coils only.

Stainless steel coil clamp onlyGAC8470X ... **£7.73**
Stainless steel coil clamp and coil cover setGAC8470CC **£12.05**



Lumenition ignition

Lumenition electronic ignition kits are well known as being among the finest aftermarket electronic ignition systems available. This system basically replaces both the contact points and condenser with an optical switch and power module. The power module is an electronic device that receives a pulse from the optical trigger which switches the coil. The trigger eliminates contact bounce, arcing, mechanical wear and spark scatter, reducing maintenance and increasing reliability. With minimal wiring and modifications this kit is very discreet. A performance ignition kit is available, it includes a power module and a high output coil. The microcircuit control of the coil current gives optimum performance across high engine speed ensuring maximum spark energy at the coil. A fitting kit, to suit the distributor application, is also required. Positive earth wiring instructions are available from your nearest Moss branch. Please check your distributor type before ordering the fitting kit as many cars have non-original distributors fitted. The identification number is cast on the distributor body. **Note: Installation of a power module requires a distributor fitting kit.**

Performance ignition kit

Supplied with high energy coil and performance power module.

Performance ignition kit	CEK150	£260.00
Coil replacement for CEK150	CEC	£63.50

Power module and performance ignition coil

Power module	PMA50	£196.00
Performance ignition coil MegaSpark 4	LMS4	£43.60

Mounting bracket

Designed to mount the power module neatly using coil bracket screws. Suitable for all power modules.

Power module mounting bracket	MK006	£10.70
---	-------	-----------	---------------

Fitting kits

Use these fitting kits with your choice of ignition kit.

Lucas 22D4 25D4 distributor	LFK116	£16.80
Lucas DMS2P4 distributor	LFK125	£16.65



NGK spark plugs and plug caps

Changing the spark plugs regularly ensures the engine performs well. NGK are renowned for making performance plugs giving a strong spark and long life.

Spark plug standard	BP6ES	£3.00
Spark plug fast road/sport	BPR7EIX	£12.85
Straight plug cap, red (each)	NSB5	£3.60
Straight plug cap, black (each)	NSB5BLK	£3.50
60° plug cap, red (each)	NYB5	£3.60
60° plug cap, black (each)	NYB5BLK	£3.50
90° plug cap, red (each)	NLB5	£5.00
90° plug cap, black (each)	NLB5BLK	£3.50
Ignition lead end kit (each)	GCL1110	£1.33



CSI-Ignition distributors

CSI-Ignition distributors offer a fully electronic ignition system built into the correct type of Lucas distributor housing to suit your car, keeping the original appearance in the engine bay. You can only tell the difference when you remove the distributor cap!

Gone are the points and condenser and mechanical advance mechanism, all replaced with a high quality electronic ignition system manufactured using military specification components for durability and reliability. These distributors are maintenance free (no points to adjust), and offer the benefits of, easier starting & smoother running, more torque & power, reduced fuel consumption & emissions. They also eliminate the weaknesses of mechanical timing advance and problems such as points bounce ensuring correct ignition timing throughout the rev range.

“The new range of CSI-Ignition distributors is a breakthrough for classic car ignition systems”.

Each CSI-Ignition distributor features 16 easily switchable, optimised ignition curves to allow timing adjustment to suit your car’s engine and fuel specifications. Alternative advance curves can be selected to suit your engine’s state of tune making them ideal for modified engines. Curves are easily selected using a screwdriver in a rotary switch, with a bright flashing LED indicator to show the selected curve all concealed underneath the distributor cap.

The distributors are also available with an electronic immobiliser system to prevent unwanted starting of the engine. The immobiliser system features a compact receiver, which should be fitted close to the ignition switch but out of sight, and an electronic key. Installation is straightforward. As the CSI-Ignition distributor uses the correct type of distributor body for the application it is a direct swap. Full instructions and ignition curve selection guidance is included.

We offer a wide range of CSI-Ignition distributors for a variety of applications. They are available Optimised with vacuum advance to suit road or uprated cars running on SU carburettors, or Tuned without vacuum advance for cars running Weber type carburettors. Please note: Some units may only be available To Order. More details are available on our website, search for CSI-Ignition Distributor.

Optimised 25D4 positive earth	CSD6014571	£280.50
Optimised 25D4 negative earth	CSD6014581	£280.50
Tuned 23D4 positive earth	CSD6023571	£274.40
Tuned 23D4 negative earth	CSD6023581	£280.50
Optimised with immobiliser 25D4 positive earth	CSD6014671	£405.00
Optimised with immobiliser 25D4 negative earth	CSD5614681	£405.00
Tuned with immobiliser 23D4 positive earth	CSD6023671	£405.00
Tuned with immobiliser 23D4 negative earth	CSD6023681	£405.00

CSI-Ignition distributors require a coil with minimum resistance of 2.5 ohms. We recommend using our sports coil TT2981 3 ohms. Bypass the ballast resistor if fitted.

Sport coil (3 ohms)	TT2981	£19.30
-------------------------------	--------	-----------	---------------

Battery cut-off switches

Battery cut-off switches are a good idea for all cars. Fitting one enables you to quickly isolate the battery and immobilise the car; ideal when working on your car, or if you intend to put your car into storage. Use with a battery conditioner, see our website or our Restoration Tools catalogue.



Battery mounted cut-off switches

These cut-off switches simply mount to the battery post and feature a screw-in knob to break the circuit. Available with a bypass fuse to allow sufficient current to pass to operate clocks, alarms and coded radios, but if any attempt is made to start the car the fuse will blow.

Battery mounted cut-off switchGAC3192X . . . £6.46

Battery mounted cut-off switch with bypass fuse .GAC31921 . . . £9.50



In-line cut-off switches

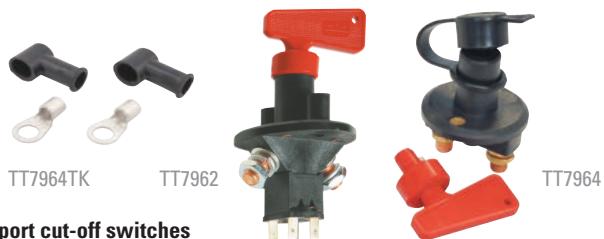
These cut off switches need to be fitted into the main battery to starter cable. The body of the switch should be mounted securely to the car and cables fitted using the terminal kit.

Period cut-off switch

These are reproductions of the Lucas 'Battery Master Switch' which was a popular accessory on many British classics.

Period battery cut-off switch (short knob)1B2804 £27.00

Period battery cut-off switch (long knob)1B2804L £27.00



Motorsport cut-off switches

Battery cut-off switches are obligatory for competition cars and should be fitted with a cable for remote access.

Battery cut-off switchTT7964 £16.85

Battery cut-off switch race spec (FIA approved) . .TT7962 £29.50

Remote cable 6 footTT79621 £29.30

Spare key for switches TT7964 and TT7962 . .TT79641 £4.57

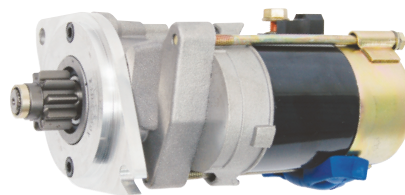
Terminal kit for battery cableTT7964TK . . . £9.50



Alternator conversion kit

Our alternator conversion kit contains everything you need to upgrade from a dynamo to a high output alternator. The alternator bearings are much more durable and will improve long term performance of the vehicle. The conversion kit includes a new high output alternator, pulley, belt, brackets, hardware & fittings, and complete installation instructions including converting the car from positive to negative ground.

Alternator conversion kit130-078 . . . £108.00



High torque starter motor

These brand new powerful, lightweight starter motors are high torque. This means they are less likely to burn out under the strain of cranking your engine over, especially with high compression engines. 9 tooth pinion.

High torque starter motorGXE4418X . . £205.00



Supercharger kit

The Moss supercharger kits give increased torque and horsepower throughout the rev range without adding extra stress to your engine. Our supercharger kits use an Eaton MP45 charger unit that features a bypass valve. During light throttle conditions this valve remains closed bypassing the compressor, but then opens to feed the charge through the compressor to give maximum power when required. This system gives good drivability and maintains economy during light throttle conditions then boosts the charge the moment the throttle is pressed, giving an instant boost of power.

Our engineers designed an intake manifold that provides equal airflow, pressure and fuel mixture to each cylinder. By optimizing the distribution in the manifold for each cylinder, you can run more boost pressure without the chance of harmful detonation. The Moss supercharger system produces 7.5-8.25 PSI of boost at sea level. Bolted on to a standard engine you may expect a horsepower increase* of 40% at the flywheel. Just hold on to the steering wheel when you decide to press the pedal!

The kits include an MP45 supercharger, intake manifold and SU HIF carburettor, special pulleys and a serpentine drive belt, K&N sports filters, fittings and comprehensive fitting instructions.

We also offer an alternator conversion kit. The alternator bearings are much more durable and will improve long term performance of the vehicle. The conversion kit includes a new high output alternator and complete instructions for converting the car from positive to negative earth. The installation of a supercharger will exploit all the strengths of your engine to give you extra power. However, it will also exploit any weaknesses your engine may have. Please ensure your engine is in a suitable condition before installation. To maximise the full benefit of the supercharger we recommend that you fit the 8° static advance distributor (TMG10771). Please visit our website or contact your branch for more information and for replacement parts.

*Please note: These systems are designed to supplement an engine in good condition, not make up for lost power in a tired one. If your car has an old, tired engine you will want to overhaul it first.

Supercharger kit150-040 . . £3,109.00

Alternator conversion kit130-088 . . £244.10

Distributor - upratedTMG10771 . £194.00

Heat shield kit (for above supercharger)150-065 . . £115.19



MOTO-LITA STEERING WHEELS

Moto-Lita are among the finest replacement steering wheels available. Designed to enhance the appearance of the cockpit and provide an improved feel for the driver.

Available in a variety of styles, including polished or black painted spokes, with the option of polished wood or black leather rims.

Available in 13" to 15" diameters. Boss kits for each specified model of car are required for fitting (available separately).

Moto-Lita

See page A36 for more information



TONNEAU COVERS & HOODS

Made to original specifications.

Moss supply quality tonneau covers made to the original specifications. Protecting your interior from the elements.

Hoods supplied by Moss are made by staff with over 100 years experience of hood manufacturing between them. They are built on jigs matching those used by the factory, using vinyl from the same supplier. They are

the closest you will get to an original hood in terms of quality, fit and appearance. Hoods can be made in Double duck, a canvas based material or in Mohair.

Tonneaus and hoods are available in a choice of colours.

See page A34 for more information



Dynator charging system

WOSP

For owners wishing to fit an alternator but prefer to keep the original appearance for aesthetic reasons, or for competition scrutineering rules, the Dynator is the answer. Basically, it's an alternator in a dynamo casing, and comes complete ready to fit, available for positive and negative earth. Instructions provided.

- Negative earth electronic tachoPT10802 . . .£420.00
- Positive earth electronic tachoPT10802P . .£528.00



Non-leak battery

Suitable for most 12 volt applications it is a totally sealed, maintenance free battery that will not leak, even if split. The acid is completely absorbed into glass mat separators between the plates.

Other advantages are that as there is less internal resistance it offers more cold cranking capacity than a conventional wet battery. It is also more resistant to heat and vibration and has a slower self discharge rate than a wet battery (loses 2-3% a month as opposed to a wet battery losing about 15% a month).

Great in any car, particularly good for sports or competition due to its small size (20 x 20 x 13cm). Its unique design means that it can be shipped by mail order.

- Non-leak batteryMXV1129X .£102.00



ARH121AL

Alloy radiator

Our range of high quality alloy radiators is a must for competition and fast road use. Designed to fit original mounting positions they are a direct replacement for the original radiator, and manufactured to exact standards from the highest quality materials.

Using an alloy radiator gives approximately a 40% improvement in cooling efficiency making them ideal for competition, track day and fast road use where the engine is working hard for extended periods. The radiators are fitted with a 22mm threaded boss to allow easy installation of electric fan controllers and switches, a blanking plug is supplied with the radiator.

- Alloy radiator MGAARH120AL . .£577.20
- Alloy radiator MGA (Twin Cam)ARH121AL . .£703.00



Revotec cooling fan kit

Keeping your MG's engine running at optimum temperature will ensure you get the best performance and economy. Revotec and Moss Europe have co-designed these high quality bespoke fan kits for your classic. Using the latest high efficiency fans with adjustable electronic controllers these kits are designed to replace the standard original mechanical fan, reducing the load on the engine, noise and improving both power and mpg.

Unlike other fan kits that use universal mounting systems, this kit fits using bespoke laser cut brackets that mount directly to the radiator cowling using existing mounting bolts. A manual override switch is also available separately, enabling manual control of either On, Off or Automatic. Kit includes: High efficiency fan assembly, electronic controller, bespoke brackets, hardware & wiring, & full instructions. **Negative earth only.**

- Revotec cooling fan kitRFK56£195.00
- Manual override switchRFC020£36.80



TT2948

Kenlowe cooling fan kit

Kenlowe were the innovators of electric, thermostatically controlled engine cooling fan kits for classic cars. Fitting a Kenlowe fan will reduce the engine warm up time, prevent excessive cooling and allow the engine to operate closer to its ideal running temperature. Removal of the standard fan will help to reduce engine noise, and will help improve power/mpg.

A manual override switch is available separately, allowing the fan to be operated at any time giving maximum control of the engine's temperature. Kit includes fan, motor, thermostatic switch, wiring, mounting hardware and instructions.

- Kenlowe fan kit, 10" (blower)TT294022 . .£148.80
- Manual override switchTT2948£11.35



Spin on oil filter conversions

Fitting a spin on filter makes changing the oil an easier and cleaner task. These filters also feature an anti-drain valve which prevents oil draining out of the filter while the engine is not running, giving better oil pressure at start up. Oil filters supplied separately.

MGA spin on oil filter conversionMOC289£33.20
 Oil filter - standardGFE173£4.80



K&N Gold Performance oil filters

Originally developed by K&N for race applications these high quality filters are becoming a favourite among consumers who want superior filtration. These K&N oil filters feature a number of improvements over standard filters:

- Thicker canister wall
- Higher flow rates
- Improved filtration
- Nut for ease of removal
- Anti-drain valve

K&N Gold Performance oil filter235-830£13.50
 (For Moss spin on conversion only - MOC289).



Oil catch tanks

A must for competition use to prevent oil spillage on the track. Manufactured from high grade aluminium and anodised for a smart, durable finish they feature 2 x 1/2" OD connectors for the breather hoses, level indicator, breather cap and drain plug. Available in 1 litre or 2 litre sizes. Mount using the rear flange to a suitable vertical panel in the engine bay.

Oil catch tank 1ltTT2900£147.10
 Oil catch tank 2ltTT2901£163.70
 Breather hose - 1/2" ID (per metre)BAU5065M£10.30
 Hose clip (each)GHC11016£1.85



Upgraded oil pressure switch and valve

Upgrading the oil pressure control system helps maintain good oil pressure which is particularly useful for prolonged high speed and fast road driving. Fitting our upgraded oil pressure relief spring will maintain operating pressure of approximately 75-85psi on a good engine. It is advisable to replace the oil pressure switch for our 20lb unit as this gives earlier warning of reduced pressure.

Upgraded oil pressure relief springTMG10729£3.76
 Oil pressure relief valve12H865£3.76
 Oil pressure switch 20lbTT2998£27.40



TMG10778S

Oil cooler installation kits

Oil thins as the temperature increases, thinner oil reduces oil pressure and is less effective at preventing metal to metal contact. Longer journeys or driving at sustained high speeds, tends to exacerbate the problem. Fitting an oil cooler minimises this effect and helps prevent engine damage. Our kits are available in standard or thermostatic types and are supplied with mounting brackets and unions. The thermostatic type are designed to allow oil flow at 74°C to allow the engine to warm up. The radiator is supplied separately, see below.

Installation kit standard - rubber hosesTT10765£50.70
 Installation kit standard - stainless braided hoses ...TT10765S ...£87.60
 Installation kit thermostatic - stainless braided hoses .TMG10778S £168.50



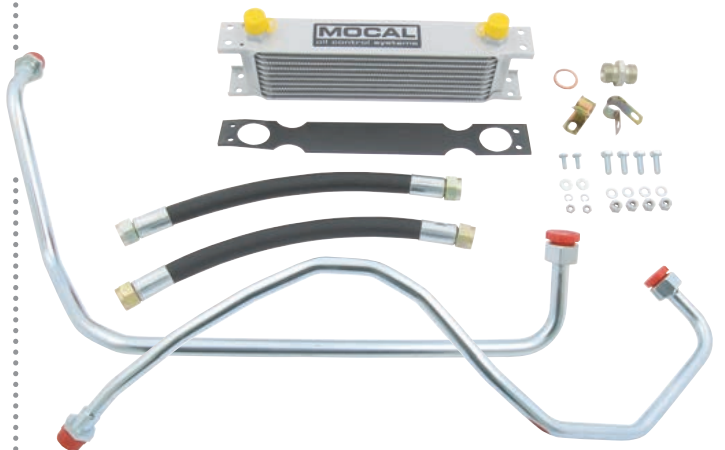
ARO9888

ARO9875

Oil cooler radiators

Choose a radiator that best suits your requirements.

10 row oil cooler radiator - for road useARO9807£66.00
 13 row oil cooler radiator - for fast roadARA221£38.00
 13 row oil cooler radiator - for fast road/sport ...ARO9809£79.30
 16 row oil cooler radiator - for fast road/sprint .ARO9875£85.00
 19 row oil cooler radiator - for raceARO9888£92.70



Original style oil cooler installation

This oil cooler kit is a reproduction of the original installation kit offered by MG. It features rigid metal pipes running from the engine bay to the oil radiator mounted on the duct panel. We offer this installation as a kit including the rigid pipes, flexible hoses, 10 row radiator (ideal for road use), and hardware.

Original style oil cooler kit8G2282£300.70



Quaife limited slip differential

Quaife limited slip differentials allow maximum drive to the wheels, giving more grip under hard acceleration and cornering. Power is distributed to both wheels, rather than wasting energy spinning the wheel under the least load. The Quaife differential is gear operated, so it has no plates to wear, and automatically transfers power to the wheel with the most grip.

MGA (banjo axle)TMG20720 .£1,047.00



STN70

Close ratio gear set

Close ratio gears cure the problem of the car coming off cam by losing engine speed during a gear change and provide increased reliability through being substantially stronger. We supply straight cut gear set (not for the faint hearted as they are noisy) which are suitable only for track race use, and Helical cut gear sets. Straight cut gears do not include 1st or reverse gears - use existing or replace. Helical cut gear sets for 3-synchro MGA gearboxes include a straight cut 1st gear. For full details and specifications please contact your nearest Moss branch.

3-synchro gearboxes

Straight cut gear setSTN70X£1,661.00
 Helical cut gear setSTN70NCA
 Spigot bushSTN71X£27.40



TT20704

Uprated clutch plates

For a road car the standard clutch is adequate, although for fast road/sport and competition work, the unit should be uprated. Uprated clutches give good reliability for road cars but with a slightly heavier pedal pressure. Standard release bearings are more than adequate, but we recommend that you fit a stainless steel braided clutch hose to handle the increase in pressure.

We do not have any alternative uprated clutch applications for these models due to the complexity/scarcity/changes of gearboxes and flywheels. However, we can advise you as to what modifications/components will be needed for these models, please contact us with vehicle details and requirements.

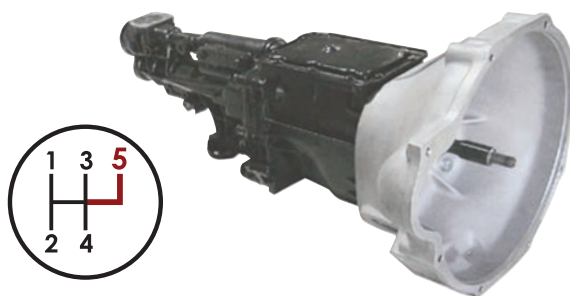
MGA MkII-1600cc clutch plate road/sport. . . . TT2502. . . .£170.00
 MGA MkII-1600cc clutch plate fast road/sprint . TT20704. . . .£178.60
 MGA MkII-1600cc clutch plate full race.TT2504. . . .£278.20

5 speed gearbox conversions

Our 5 speed conversions provide everything you need to achieve modern day motoring comfort and performance.

The ultra-smooth action of the five-speed gearbox is an instant benefit. With synchromesh throughout the gear range and a quieter reverse gear the vibration and hassle are taken out of town driving. With similar ratios from first to fourth, the performance through the gears is unaffected, and the added benefit of a 0.82:1 fifth gear gives a reduction of approximately 1,200rpm at maximum speeds, giving faster and more relaxed cruising.

The conversion is based on the Ford T9 gearbox, it was chosen for its smooth gear change & robust reliability and spare parts availability. The conversion involves minimal cosmetic or structural changes and the specially modified gear change maintains the gear lever in the original position, with no modifications required to the upper area of the tunnel.



Installation kits are supplied separately from the gearbox unit. Please ensure you order the correct installation kit to suit your car and a gearbox unit. The gearbox is fully reconditioned and sold outright with no surcharge.

The installation kits include:

- Bespoke cast alloy bell housing
- Spigot bush
- Propshaft
- Mounting brackets
- Clutch plate
- Chrome gear lever
- Speedo cable
- All necessary hardware

Notes:

- Reverse light switch is not included in the kit, but is sold separately. The original switch wiring will need to be modified to use this switch.
- Your speedometer will need to be re-calibrated to be accurate.

Our installation kits are available to convert the transmission configurations as detailed below:

Installation kit LHD 1500 low starter041-750£1,251.00
 Installation kit RHD 1500 low starter041-750RHD .£1,251.00
 Installation kit LHD high starter041-755£1,261.00
 Installation kit RHD high starter041-755RHD .£1,261.00
 Installation kit LHD MGB041-756£1,261.00
 (5 main bearing engine & 4 synchro box fitted).
 Installation kit RHD MGB041-756RHD .£1,251.00
 (5 main bearing engine & 4 synchro box fitted).
 Installation kit LHD MGB041-757£1,251.00
 (5 main bearing engine & 3 synchro box fitted).
 Installation kit RHD MGB041-757RHD .£1,226.00
 (5 main bearing engine & 3 synchro box fitted).

5 speed gearbox unit041-855£870.00
 Reverse light switch041-606£7.00
 Clutch alignment tool041-620£5.40

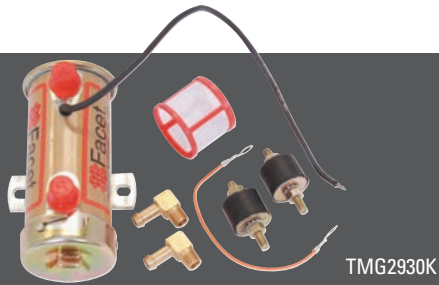


TT3041

Braided clutch hoses

These steel braided clutch hoses look great and don't swell under pressure.

1500-1600cc braided hoseTT3041£38.00
 Twin Cam braided hoseTT3242£35.60



TMG2930K

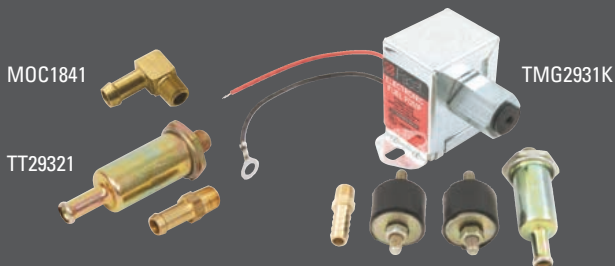
High capacity fuel pumps

The standard fuel pump may not be able to maintain adequate fuel flow and pressure at higher engine speeds, particularly with a tuned engine. The Facet range of fuel pumps will suit all standard and modified engines fitted with carburettors. They give constant fuel flow and pressure, even at high temperatures eliminating the problems associated with vapour lock. The pumps are available in a variety of specifications to suit the engine's fuel pressure and flow requirements. Further fine tuning of the fuel pressure can be easily achieved by the use of a separate fuel regulator, see right. With safety in mind we recommend fitting a fuel pump inertia switch kit, so that in the event of an accident fuel delivery is automatically cut-off. Fuel lines may require adapting to install the new pump, check pipe sizes to select the correct unions, additional unions may be required.

Cylindrical fuel pumps

Formerly known as interrupter type pumps, these heavy duty pumps can be fitted at the front or rear of the car and up to 600mm above the bottom of the fuel tank. Kits are supplied with mounting & 8mm unions, alternative size unions available.

- Cylindrical fuel pump kit - road Silver TopTMG2930K . .£96.00
(Up to 150bhp, flow rate: 30 gal/hr, 4.0-5.50 psi, unions: 8mm x 1/8 npt)
- Cylindrical fuel pump kit - fast road Silver Top . . .MGS2930K .£100.00
(Up to 200bhp, flow rate: 35 gal/hr, 6.0-7.0 psi, unions: 8mm x 1/8 npt)
- Cylindrical fuel pump kit - competition Red Top .MGS2932K .£96.00
(Above 200bhp, flow rate: 40 gal/hr, 6.0-8.0 psi, unions: 8mm x 1/8 npt).
- Cylindrical fuel pump only - competition Red Top .TT2930 . . .£82.20
(Above 200bhp, flow rate: 40 gal/hr, 6.0-8.0 psi, 1/4 npt threads).



Solid state fuel pumps

These pumps should be mounted at the rear of the car (as they are designed to push fuel rather than draw fuel) and ideally below fuel tank level, although they will work up to 300mm above the bottom of the fuel tank. Kits are supplied with mounting & 8mm unions, alternative size unions available.

- Solid state fuel pump kit - fast roadTMG2931K . .£54.00
(Up to 150bhp, flow rate; 32 gal/hr, 4.5-7 psi, unions: 8mm x 1/8 npt).
- Solid state fuel pump only - fast roadMGS2931 . .£37.50
(Up to 180bhp, flow rate: 34 gal/hr, 7.0-10.0 psi, 1/8 npt threads).

Fuel pump unions

Use with the listed fuel pumps, please check thread and pipe size before ordering.

- Straight union 1/4" (6mm) 1/8 nptFPA903B . . .£1.80
- Straight union 5/16" (8mm) 1/8 nptMOC1604 . .£3.44
- Straight union 3/8" (10mm) 1/4 nptFPA904/B . .£2.90
- 90° union 5/16" (8mm) 1/8 nptMOC1841 . .£6.10
- 90° unions 5/16" (8mm) 1/4 npt (pair)TT2930A . .£11.70
- 90° unions 3/8" (8mm) 1/4 npt (pair)FPA902B . .£11.00

Fuel filter union

- Unions 1/4" (6mm) 1/8 npt (pair)TT29321 . . .£8.40

TT2927



TT2926



Fuel regulators

We recommend the fitment of a fuel regulator which allows fine adjustment to the fuel pressure to suit your requirements. Use a filter/regulator unless you already have a fuel filter fitted.

- 67mm deep glass filter/regulator 1/4" unions . . .TT2927 . . .£60.00
- 85mm deep glass filter/regulator 5/16" unions . .TT2928 . . .£57.00
- Fuel pressure regulator 1/4" unionsTT2925 . . .£49.50
- Fuel pressure regulator 5/16" unionsTT2926 . . .£51.00



Brass float for fuel sending unit

These brass fuel float alternatives will work with original Smith's sending units (will not work with early Smith units with soldered metal floats). They replace the original plastic ones and do not react to the additives used in fuels nowadays.

- Brass float - fuel tank sending unit. 360-646. . . .£8.50

370-735



GAC4149X

MG carburettor caps and float bowl bolt

These very distinctive solid brass dashpot damper caps for SU carburettors will improve your engine compartment. Your original damper rod must be re-used and pressed into the new cap. The solid brass float bowl bolt with MG logo complements the MG logo carburettor caps.

- Carburettor caps with MG logo (pair) 370-735. . .£44.20
- Float bowl bolt (each). GAC4149X. .£31.65



GAC2102X

Main components shown

Carburettor rebuild and gasket kits

Worn carburettors can cause problems with the running of your car's engine. Our rebuild kits contain major items to allow you to rebuild your carburettors.

- Carburettor rebuild kit 1500ccGAC2101X . .£100.60
- Carburettor rebuild kit 1600cc/MkIIGAC2102X . .£100.60



WZX1323

Plain throttle discs for SU carburettors

If your throttle discs are fitted with a pop valve these should be replaced with plain discs to maximise air flow through the carburettors on full throttle.

- Plain throttle disc for HS4. WZX1323. . .£11.70
- Plain throttle disc for HS6. WZX1321. . .£10.50



CSI-IGNITION DISTRIBUTORS

CSI-Ignition distributors offer a fully electronic ignition system built into the correct type of Lucas distributor housing to suit your car, keeping the original appearance in the engine bay. You can only tell the difference when you remove the distributor cap!

Gone are the points and condenser and mechanical advance mechanism, all replaced with a high quality electronic ignition system manufactured using military specification components for durability and reliability.

These distributors are maintenance free (no points to adjust), and offer the benefits of, easier starting and smoother running, more torque and power, reduced fuel consumption and emissions.



See page A09 for more information



RETRO SOUND RADIOS

Combining classic style with modern digital music capabilities

The RetroSound range of radio and MP3 players feature the original 'twin knob' style mounting required for many classic cars.

Music can be played from external sources such as iPods, USB flash drives, and SD cards, all connected out of sight. Some models offer iPhone play and charging, hands free communication and Bluetooth connectivity. There are a variety of Faceplates and knob

kits available in different finishes to enhance your look and a great selection of speakers.

RetroSound
Modern Sound for your Classic

see page A46 for more information



Oversized shafts for SU carburettors

Worn throttle shafts and carburettor bodies cause bad idle and uneven running. This can be remedied by replacing your carburettors or by reaming out your carburettor bodies and fitting oversize throttle shafts.

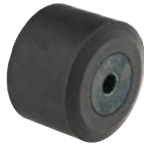
- Oversize throttle shafts for HS4WZX1177RP .£16.30
- Oversize throttle shafts for HS6WZX1178RP .£16.30
- Carburettor reamer386-385£171.20



Grose jets for SU carburettors

Grose jets use a more modern ball valve so they won't stick open.

- Grose jet for SU H/HS carburettors.....GAC9201X£9.50



Nitrophyl carburettor float

Replace old SU-H and HD series carburettor floats that have a habit of cracking and filling with fuel with these Nitrophyl floats that won't crack or deteriorate from modern fuel additives.

- Nitrophyl carburettor floatWZX1303X...£15.75



Dashpot covers for SU carburettors

Dashpot covers are an ideal way to enhance and brighten the engine bay. Available in classic chrome or more modern anodised finish.

- Alloy dashpot cover for HS4/HS6SFR23£10.44
- Anodised blue dashpot cover for HS4/HS6SFR23B£12.85
- Anodised red dashpot cover for HS4/HS6SFR23R£12.85
- Chrome dashpot cover for HS4/HS6SFR150£10.44
- Chrome dashpot cover short type for HS/HIF 4/6 .SFR175£9.37



Cold air intake

This CAI combines computer designed velocity stacks with a remote modern air filter. This system was designed with airflow and practicality foremost in mind. The years of wrestling with your MG's filters are over. Furthermore, the design is such that the original air hose duct can easily be used to remote mount the air filter behind the grill for full cold air intake.

- Cold Air Intake223-065£138.90



Ram pipes

Ram pipes (except period style) are fitted inside the air filter to help smooth the air flow into the carburettor. The shorter the ram pipe the higher up the rev range power is produced. If using with an air filter, a minimum clearance of 1 1/2" between the ram pipe and the filter case is recommended to ensure maximum air flow.

Ram pipes for SU carburettors

- 1 K&N ram pipe for HS4KN85-5039 ..£14.40
- 2 Piper 30mm ram pipe for HS4SFR430£25.50
- 3 Piper 30mm ram pipe for HIF4SFR4430£25.50
- 4 Piper 50mm ram pipe for HS6SFR650£25.50



- 5 Period short ram pipe for HS4SFR2£15.30
- 6 Period short ram pipe for HS6SFR3£15.30
- Period long ram pipe for HS2SFR4£15.30
- 7 Period long ram pipe for HS4SFR8£15.30
- 8 Period long ram pipe for HS6SFR9£15.30



Ram pipes for Weber carburettors

These ram pipes are genuine Weber replacement products.

- 9 Ram pipe 40 DCOE 16mmKNSS1640 ..£31.00
- 10 Ram pipe 40 DCOE 26mmKNSS2640 ..£31.00
- 11 Ram pipe 40 DCOE 39mmKNSS3940 ..£31.00
- Ram pipe 45 DCOE 16mmKNSS1645 ..£31.00
- 12 Ram pipe 45 DCOE 26mmKNSS2645 ..£31.00
- Ram pipe 45 DCOE 39mmKNSS3945 ..£31.00
- Ram pipe 45 DCOE 60mmKNSS6045 ..£32.00



Piper air socks

These air socks can be used with our piper ram pipes. They are supplied in pairs at 100mm long. They can be cut to size, though you must leave a minimum of 30mm between the inner face and the ram pipe mouth.

- Piper air socks (pair)PXC1050£26.40

SU carburettor needle chart

This needle chart gives full range of needles and their dimensions to help guide you in your choice of needles.

- SU carburettor needle chartALT9501£12.50



HS6 SU conversion kit

A pair of HS6's add about 6bhp to a fast road car with a free-flow exhaust. The main improvement is torque at low to mid revs, with a small increase in fuel consumption. Our kit includes a pair of carburetors, matched inlet manifold, throttle cable linkage assembly, K&N filters and fittings.

SU 1.3/4" HS6 carburettor conversionMGS10761 . .£932.00

For those who wish to do it the hard way, here we have listed the inlet manifold and carburetors.

Inlet manifold with fixingsTMG10758 .£105.35
 Pair of HS6 carburetors with linkageTT1156 . .£655.00

Weber carburetors and components



Increasing the size and number of carburetors can unleash a lot more power if the right combination is chosen. For maximum power and performance Weber side-draught carburetors are the best option. The improvement in mid to top end breathing is considerable.

The jetting may need some adjustment, depending on the engine specification, this is best achieved on a rolling road. With some installations when using Weber carburetors, the inlet manifold no longer supports a closed circuit engine breather system.



Weber carburettor inlet manifolds

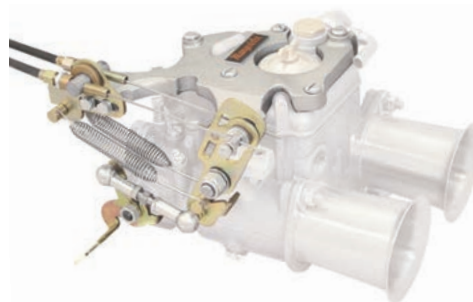
All manifolds are supplied with fittings and seal plates. For further details please contact your nearest Moss branch. With some installations when using Weber carburetors, the inlet manifold no longer supports a closed circuit engine breather system.

These aluminium manifolds follow the rule of using the longest necked manifold possible in the space available (All flanges are 12mm deep). MGA applications use TWM0033 short inlet manifold due to space restrictions.

Short inlet manifold 9.5cmTWM0033 . .£204.60
 (For all RHD models with a deep air filter by using an AHT85 throttle cable and post 1975 LHD cars. This short manifold will not fit in conjunction with TT10730/SS exhaust manifolds. Supplied with linkages).

Medium inlet manifold 12.5cmTT10750 . .£182.00
 (This is popular for RHD models with deep K&N air filters and LHD models with a brake servo).

Long inlet manifold 17cmTT10750A . .£173.20
 (The best length of manifold for RHD models only, where no air filter is used).

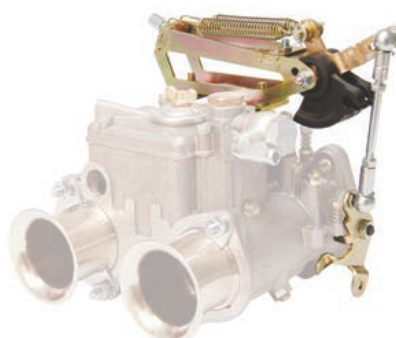


Weber DCOE throttle linkages - Mangoletsi

This new simple design, for DCOE carburetors, features a cast bracket which fits over the top of the carburettor, holding the linkage neatly to the side of the carburettor. This unique design has an ultra-low profile - the highest point of the linkage is only 10mm higher than the carburettor, ideal if clearance is limited. Each kit is suitable for single or twin carburettor set-ups for in-line engines.

The unique design also gives a wide range of throttle adjustment. Cable travel and spring tension can be adjusted independently. The adjuster can be set to give the desired cable travel, the spring tension can then be set to give the correct throttle shut off. This allows the throttle feel to be fine tuned to the driver's requirements.

Throttle linkage DCOE - twin cableLP42451£99.13
 Throttle linkage DCOE - single cableLP42411£86.45



Weber DCOE throttle linkages - Webcon

These high quality linkages are available for Weber DCOE side draught carburettor. The main bracket, lever and fittings are manufactured from zinc plated steel which gives excellent corrosion resistance and matches other components on the carburettor. They feature a self-lubricating bronze pivot bush, twin return springs and high quality ball joints, giving a smooth operation. They are suitable for single or twin carb set ups and are fully adjustable. Kits are available for top or bottom mounting, with a choice of single or twin cables. Single cable kits are supplied with a ferule to attach to existing throttle cable. Twin cable kits include a pair of cables, with pedal end fitting block.

T/linkage DCOE - top mount/single cableLP4100£102.23
 T/linkage DCOE - top mount/twin cableLP4101£112.37
 T/linkage DCOE - bottom mount/single cable . .LP4102£102.23
 T/linkage DCOE - bottom mount/twin cable . .LP4103£112.37



Weber mountings

These competition mounting rubbers and sealing plates with integral rubber o-rings help to dampen vibration giving more consistent idling and fuel supply.

Seal plate for 40-45 DCOE (each)TT2937A£6.50
 Carburettor mounting bush kit (per carburettor) . .TT2939£16.60
 Thackery washers (each)AJD7731£0.44



Stelling & Hellings air filters

Stelling & Hellings air filters were a popular aftermarket air filter used on many American hot rods & sports cars. Their filters were supplied as original equipment on the 427 Cobra. These exact reproductions are chrome plated with a mesh filter. A smart accessory for your MGA.

- Stelling & Hellings air filter - SU 1 1/4" carbs (each) .223-100£39.00
- Stelling & Hellings air filter - SU 1 1/2" carbs (each) .223-200£39.00



Logo air filters

Enhance the appearance of your SU carburettors and engine bay with these chromed MG & SU logo'd air filters. Fit 1 1/2" carburettors.

- MG logo air filter (each)GAC1055X . . .£54.70
- SU logo air filters (each)GAC1078X . . .£54.70



Breather filters

Engine breather filters are an alternative to running pipes from crankcases, clutch housings and timing cover breathers to the inlet manifold, they are particularly useful if induction set ups have been changed. Filters simply push on and are retained by a hose clip. Just remember to block off the other fitting on the carburettor or air filter where the original pipe was attached.

K&N crankcase breather filters

- Breather filter 2" diameter 1/2" external inlet . . .KN62-1010 . . .£22.10
(Filter has 1/2" (12mm) OD metal inlet stub to fit into 1/2" (12mm) ID breather hose).
- Breather filter 2" diameter 1/2" internal inlet . . .KN62-1330 . . .£20.40
(Filter has 1/2" (12mm) ID rubber inlet to fit onto 1/2" (12mm) OD breather pipes).



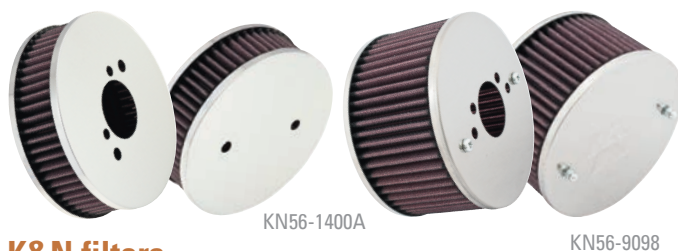
Aftermarket crankcase breather filters

- Breather filter 12mm inlet - blueMT1200£6.00
 - Breather filter 12mm inlet - chromeMT1201£6.00
 - Breather filter 12mm inlet - redMT1202£7.00
- (These filters have 1/2" (12mm) ID rubber inlet to fit onto 1/2" (12mm) OD breather pipes).

K&N cleaning and oil kit

Use K&N cleaning fluid then re-oil the filter to maintain optimum filtration.

- K&N cleaning and oil kit001-130£13.00
(250ml oil and 400ml cleaner).



K&N filters

K&N sports air filters for SU carburettors. Choose the filter that best suits your application. Centre mount has the inlet hole in the centre of the filter, offset has the inlet hole below the centre line effectively raising the filter, useful where clearance may be an issue. Use as deep a filter as possible.

- HS/HIF4 centre mount 45mm 1.3/4" deepKN56-1390A . .£85.00
- HS/HIF4 centre mount 54mm 2.1/8" deepKN56-9093 . .£84.50
- HS/HIF4 centre mount 83mm 3.1/4" deepKN56-9095 . .£84.46
- HS/HIF4 offset mount 45mm 1.3/4" deepKN56-9128 . .£84.50
- HS/HIF6 centre mount 45mm 1.3/4" deepKN56-1400A . .£95.00
- HS/HIF6 centre mount 54mm 2.1/8" deepKN56-9096 . .£89.68
- HS/HIF6 centre mount 83mm 3.1/4" deepKN56-9098 . .£89.68
- HS/HIF6 offset mount 45mm 1.3/4" deepKN56-9132 . .£84.50



K&N sports air filters for Weber carburettors

All these filters are 180mm x 120mm.

- DCOE fitting 45mm-1.3/4" deepKN56-1270 . .£87.00
(Not suitable for ram pipes).
- DCOE fitting 45mm-1.3/4" deepKN56-9106 . .£89.68
- DCOE fitting 63mm-2.1/2" deepKN56-9104 . .£92.92
- DCOE fitting 83mm-3.1/4" deepKN56-9265 . .£89.68



K&N air filter for original Vokes filter cans

Air filtration is an important way to increase the life of your engine. The original filter design was good at keeping pigeons out of the carburettor, but that was about it. Our kit comes with instructions to install modern K&N filters inside your original Vokes filter cans.

- Air filters for Vokes filter cans (pair)222-928£68.80

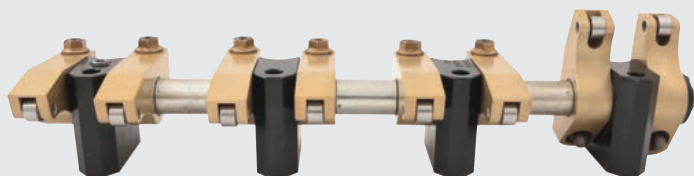


Stainless steel 'Pancake' air filter

- This 'Pancake' stainless steel air filter features a mesh gauze with a foam filter.
- Stainless steel 'Pancake' air filter - H/HS4SGPF102£9.30

Due to the relative rarity of original MGA engines and the reduced amount of performance components available for them, performance tuning them can be a difficult job. There is a considerable cross over with MGB engine components but as original engines may have had previous machining work it is difficult to say whether components will work directly.

Detailed on these pages are a selection of tuning products and techniques to get the best from your car. We recommend you contact one of our branches to discuss your requirements.



TMG107481

High performance roller rockers

The roller rocker kit replaces the complete rocker assembly. The advantages of having roller tips are lower friction, less side loading on the valves and the ability to withstand the stresses of high rpm without breaking.

Using a higher rocker ratio is ideal for increasing the valve lift and improving torque, best combined with a hi-lift camshaft. The ratio of our roller rockers means the valves are opened earlier for a longer duration, making breathing far more efficient.

Roller rocker set in-line oil feed (type A head) . . .TMG107481 **£845.00**
 Roller rocker set offset oil feed (type B head) . . .TMG10748 **£859.00**



TMG10717



1G2295

MGS10742

12H3377

Upgraded rocker shafts and fittings

All cars will benefit from a tufridged rocker shaft, particularly tuned cars using higher revs. They are stronger, so will resist wear and prove more reliable. Tufridged rocker shafts must be thoroughly cleaned of the salts used during the hardening process. As with all rocker shafts check the end plugs are in place before fitting. The friction and side loads on the rockers can be reduced and the location improved by using a steel spacer set instead of the rocker shaft springs.

Tufridged rocker shaftTMG10717 . . **£36.00**
 Steel spacer setTMG10718 . . **£18.90**
 Rocker arm standard ratio12H3377 . . . **£12.00**
 Rocker arm bushes standard ratio1G2295 **£1.45**
 (Bushes require machining).
 Upgraded outer pedestal in-line oil feed (type A head) .MGS10742 . **£176.20**
 Upgraded outer pedestal offset oil feed (type B head) .MGS107421NCA



Silicone gasket set

These silicone rubber gaskets, which are made from aerospace mechanical grade AMS silicone, are 100% reusable, designed to withstand temperatures up to 400° F, and to last the life of the engine.

Silicone gasket set296-425 **£23.20**



Upgraded valves and valve guides

Our high-flow and gas-flow valves, made from EN21/4N stainless steel, are essential to maximise the flow of gases through the head. These valves should be fitted with our bronze alloy valve guides for improved reliability with less friction, especially when running with unleaded petrol.

Rimflow valves are considered to be the best valves on the market. Also produced in EN21/4N steel, they have chromed plated stems to enable them to be installed with iron guides, we recommend bronze guides as these help with heat dissipation. Rimflow valves use single groove collets (88G459). Choice of valve size will depend upon the torque or high revs required, this must be considered with camshaft and rocker gear choice. Larger valves with suitable modifications can increase power output by up to 8 bhp. (Please contact your nearest Moss branch for MGA fitments).



Performance cast iron cylinder heads

Our range of gas flowed heads are available to suit all needs from fast road to competition. All machining work is carried out to customers own unit and are supplied with bronze-alloy valve guides and lead-free valve seats. Please advise us of the engine capacity and any planned improvements/changes at the time of ordering. Performance cylinder heads are available in the following specification:

Stage II

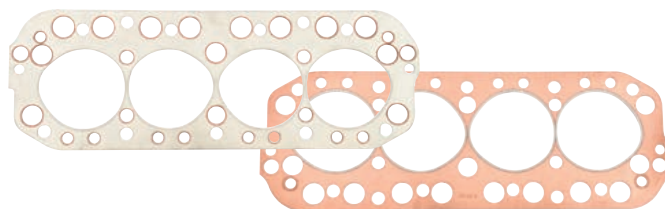
Fast road heads include gas flowed ports and reshaped combustion chambers. New reshaped standard valves are fitted with new guides and upgraded valve springs.

Stage III

Fast road/sport heads have further modifications to the ports and chambers. Large inlet valves are fitted with new guides, upgraded valve springs and alloy valve caps.

Stage IV

Race heads are competition based heads with extensive modifications to ports, valve seats and chambers. New large inlet and exhaust valves with Moss ST valve springs and alloy caps. Not available with lead free valve seats. Work is carried out to customers own head, we will need full details of your engine to achieve the optimum compression ratio. (Please contact your nearest Moss branch for more information).



Upgraded head gaskets

Solid copper head gasketGEG377C . . . **£15.65**
 Solid copper head gasket (0.32")MGS10736 . **£108.55**



TMG10764

Upgraded cylinder head fasteners

You should consider the strength and reliability of all critical fasteners used on your engine. Increased reliability can be obtained for mild states of tune by replacing the head studs and nuts with upgraded versions. The greater strength of these studs will restrict stretching under pressure and therefore keep the head and gasket securely in place. Remember, just a simple nut and bolt check could prevent "shake, rattle and break"! Use these to help keep your cylinder head gasket in one piece.

- Cylinder head stud and nut kit TMG10764 . **£174.40**
- Flanged head nuts 51K1193B **£1.80**



Rocker cover nut with MG logo

Our polished rocker cover securing nuts feature the MG logo in solid brass. They are the perfect finishing detail to the engine bay and rocker cover.

- Rocker cover nut (each) 460-119 **£24.00**



GAC4069P

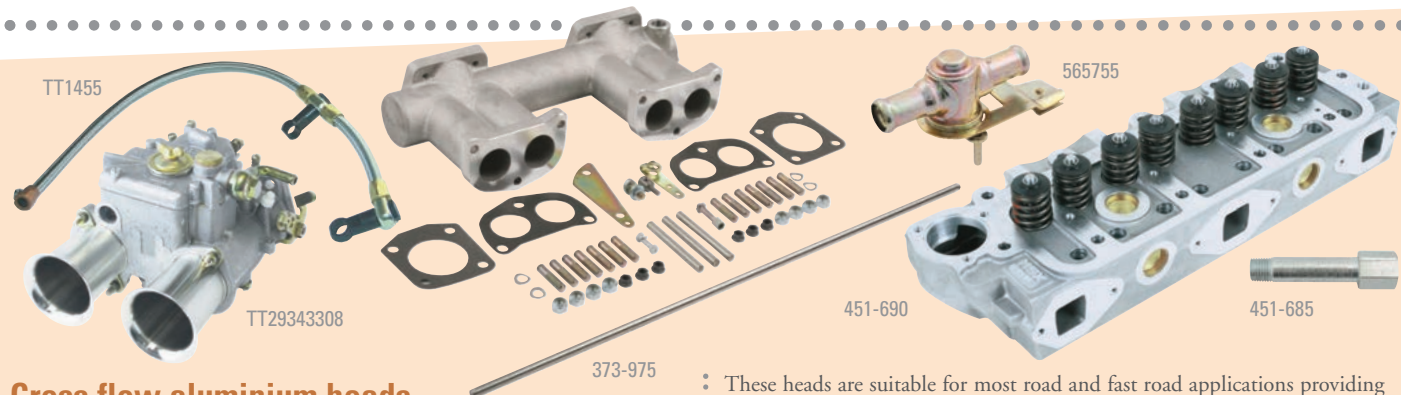
GAC4069X

GAC4069FK

Alloy rocker covers and fittings

An alloy rocker cover will improve the appearance of your engine bay and, as an added advantage, will help to muffle valve train noise. Always fit a new gasket when replacing your rocker cover, and do not over tighten rocker cover nuts.

- Polished alloy rocker cover GAC4069P . . **£40.00**
- Crackle black finish rocker cover GAC4069X . . **£55.90**
- Fitting kit for rocker cover GAC4069FK . **£14.90**
(Kit includes: Oil cap, grommets and chrome spacers/nuts/washers).
- Spacer and chrome washer kit GAC4069WK . **£4.32**
(Kit includes: Chrome washers, chrome spacers and grommets).
- Rocker cover gasket AJM402 **£1.30**
- Oil filler cap chrome 8G612CP **£5.20**
- Oil filler cap steel/matt finish 8G612 **£7.00**



TT1455

TT29343308

373-975

451-690

565755

451-685

Cross flow aluminium heads

These cross-flow aluminium cylinder heads have been designed to open new tuning horizons to the B series engine. The computer generated gas flow designed castings are 50% lighter than the standard cast iron head and has improved cooling and water flow. Extensive dyno testing has shown horse power increases up to 45% depending on the engines state of tune - a standard engine in good condition can expect approximately a 20% horse increase with standard induction and exhausts.

The cross flow cylinder head is supplied with a combustion chamber capacity of 37cc and are built-up with standard size valves, lead-free valve seats, bronze valve guides, twin springs and alloy valve caps, ideal for road and fast road use. They are ready to fit and can be used with components (thermostat housing, rocker cover, etc) transferred from your old cylinder head, make sure the head is cleaned and all old components are thoroughly cleaned and reconditioned as necessary first! We recommend fitting with new hardware to ensure a good fit.

We offer two induction systems for these heads. Using specially designed manifolds for either SU or Weber carburetors. The SU option is best balance of power and easy of operation and work well on standard and fast road engines, whilst Webers offer the highest flow for maximum power potential on highly modified engines.

The exhaust ports are in the original location so that standard or extractor manifolds & exhausts can be used. We recommend fitting one of our extractor manifolds STR633 and performance exhaust system STR634 on pages A06-07 for the best results.

These heads are suitable for most road and fast road applications providing no previous extra machining work has been carried out, if in doubt, please contact your nearest Moss branch.

- Cross-flow aluminium cylinder head 451-690 . . **£1,266.00**
- Heater connector adaptor (rear of head) 451-685 **£34.70**
- Heater valve (use with adaptor 451-685) 565755 **£22.90**

Weber induction systems

- Aluminium inlet manifolds (pair) 373-985 **£288.00**
(Suitable for 40 or 45 DCOE carburetors, manifolds come with linkage and coupling levers for direct action throttle, gaskets, studs, nuts and seal rings).

- 40 DCOE* Weber carburettor - fast road/sprint . TT29343308 **£484.00**
(40 DCOE is jetted with 35 chokes).
- (*39mm ram pipes supplied with 40 DCOE).

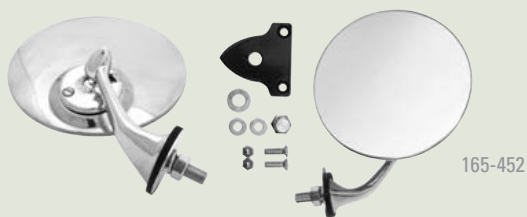
- Standard single throttle cable AHH8462 **£6.00**
- Twin throttle cable (smoother operation) LP42451 **£99.13**
(Complete with brackets and fittings).

- Braided fuel pipe set TT1455 **£175.00**

SU induction systems

- Inlet manifold 373-975 **£288.00**
(For SU HS6/HIF44 carbs, manifolds come with gasket, studs and nuts).
- SU HS6 carburetors (pair) TT1156 **£655.00**
(Supplied without linkages and needles, please contact Moss for details).

See page A19 for K&N filters for Weber & SU carburetors.



165-452

Windscreen mounted mirrors

These RH & LH mirror kits mount on to the windscreen frame using existing holes, improving rear visibility over the rear wings. **Note: With the windscreen mirror in place, side curtains cannot be installed).**

- Windscreen mirror kit RH165-452**£31.65**
- Windscreen mirror kit LH165-454**£31.65**

Wing mirrors



WM1904

GAM117

Whether you fit the early Lucas type, round mirrors or the later Leyland, rectangular style, these accessories will add that finishing touch.

Early Lucas long arm style (fixed type)

- Chrome convex glass RHWM1904**£12.60**
- Chrome convex glass LHWM1905**£12.60**
- Chrome flat glass RHWM1906**£12.60**
- Chrome flat glass LHWM1907**£12.60**

Later 'rectangular' style (spring back type)

- Chrome flat glass RH/LH (each)GAM118**£34.70**
- Chrome convex glass RH/LH (each)GAM117**£34.70**



GAM1001X

GAM1001

- Chrome flat glass curved arm RH/LH (each)GAM1001 ... **£33.70**
- Chrome flat glass cranked arm RH/LH (each)GAM1001X ... **£30.60**



GAM115

GAM300

GAM301

Door 1/4 light mirrors

These chrome, universal fit door mirrors are a great accessory as they clamp neatly to the 1/4 light and are available with a choice of rectangular or round heads. Suitable for righthand or lefthand mounting.

- Rectangular (each)GAM115**£22.50**
- Round - 3" diameter (each)GAM300**£11.09**
- Round - 4" diameter (each)GAM301**£11.60**

Bullet style mirrors



MT9314

222-355

Aluminium racing mirrors

These racing mirrors echo a bygone era of motorsport. Available in polished or satin finish with a black base, both feature a flat glass and single bolt fitting.

- Polished alloy mirror (each)MT9314**£24.00**
- Satin finish alloy mirror (each)222-355**£24.00**



GAM105

Long base mirrors

These feature a 3.75" long base and are fixed with two screws from inside the door at 2" centres. Suitable for left or righthand mounting.

- Chrome flat glassGAM105**£12.20**
- Chrome convex glassGAM105C ...**£17.60**



222-390

Long base racing mirror

This mirror features a larger 4.25" lens with a 3" base. It is externally fitted to the mounting bracket. Suitable for left hand or right hand mounting.

- Chrome flat glass222-390**£29.50**



GAM107

British Leyland style mirrors

These feature a 3.75" long base and are plinth mounted as per British Leyland style door mirror. They are interchangeable with British Leyland type door mirror. Use adaptor plates to fit to doors with late type captive nuts.

- Chrome flat glass RHGAM106**£52.00**
- Chrome flat glass LHGAM107**£52.00**
- Adaptor plate kit RHCZH1626**£6.60**
- Adaptor plate kit LHCZH1625**£6.60**



222-372

Dual base mirror

Dual base mirror is supplied with two bases; the short base is 2.25" long and the large is 4.5" long, the mirror can be fixed to the car using either base to cover previous mirror fixing holes. Suitable for left or righthand mounting.

- Dual base chrome flat glass222-372**£36.70**



H4 HALOGEN HEADLAMP CONVERSION

For a powerful superior light beam and pattern, fitting modern halogen headlamps is one of the most worthwhile upgrades you can make to your classic.

Our kits include two light units and two 60/55w halogen bulbs. You can fit standard H4 bulbs, or replace them with blue tinted, or

super white xenon. Super white xenon are approx. 30% brighter.



See page A31 for more information



K&N AIR FILTERS

Anyone can flow more air. The trick is to flow more air safely. K&N filters have a reputation as being one of the most efficient air filtration available.

K&N air filters have 4 to 6 layers of cotton gauze sandwiched between two aluminium wire screens. The cotton is treated with a specially formulated grade of oil causing tackiness throughout the cotton. The cotton allows high volumes of airflow, while the

tackiness of the oil creates a powerful filtering media that ensures engine protection.

- Designed to increase horsepower and acceleration
- Washable and reusable



See page A19 for more information



Fuel caps

Tourist Trophy MG locking fuel cap

These beautifully chromed stainless steel fuel caps feature a swivelling 'MG' emblem to reveal the lock. They are designed and made from superb quality materials giving security and style. To fit any of our locking fuel caps you will need a filler neck extension (see below).

Tourist Trophy 'MG' swivel fuel cap - chrome . . .202-775£52.50



Period fuel filler caps

Our range of filler caps is suitable for all MGA's provided the filler neck extension is changed. All caps are vented.

- Original chrome - non-locking18G8601A£6.40
- Period style chrome - lockingAKF1439£22.80
- Slimline stainless steel - lockingGSS154£14.60
- Raised stainless steel - lockingGSS154Z£11.51
- Black plastic - lockingGSS196A£24.00



Aston fuel cap covers

We offer two types of the Aston fuel cap covers. Both cap covers are designed to fit to our slim line style filler cap (Part No: GSS154) and are fixed by grub screws to the cap. The flap is lifted to reveal the lock and the cap & cover are removed together for refuelling. Fuel cap covers and caps are sold separately

- Aston cap cover only, large (90mm) - chrome . . .GAC4127X . . .£25.00
- Aston cap cover only, small (75mm) - alloyMCC299£42.00

Filler neck extension

To fit one of our locking fuel caps you will need to change the filler neck extension. Locking fuel caps protect your valuable fuel, and stop anyone dropping anything unwanted in your tank.

Filler neck extension locking cap type470-852£63.80



MGA boot lock

Offering extra security for your possessions, this discreet external lock set is easy to install. Just disconnect the original pull mechanism and your boot can only be opened with the key. Supplied with 2 keys.

MGA boot lock GAC2010X . . . £45.20

Boot racks

Boot racks are an extremely useful accessory, particularly when touring providing invaluable extra luggage space. Our clamp-on boot racks are a universal fitment that have rubber mounting pads and clamp to the sides of the boot lid.

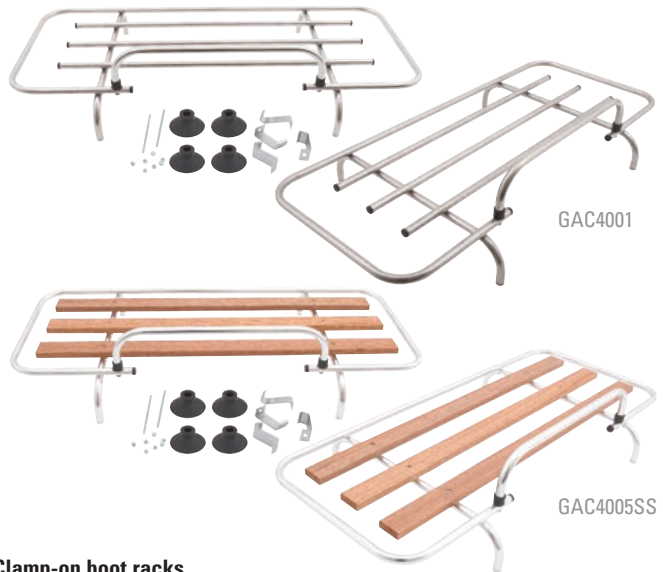


AHH5495

Bolt-on boot racks

The original style boot rack is a replica of the original rack offered as a factory option. The rack is designed to distribute the load across the surface of the boot lid with the curved straps.

- Original style chromeAHH5495 . . .£220.00
- Original style chrome with luggage eyeletsMQA1010 . . .£265.00
- Original style stainless steelAHH5495SS .£200.00



GAC4001

GAC4005SS

Clamp-on boot racks

- Stainless steelGAC4004SS . .£99.50
- Stainless steel with wood slatsGAC4005SS . .£96.40
- AlloyGAC4001 . . .£63.00
- Alloy with wood slatsGAC4005X . .£73.40



Boot bag luggage system

This unique luggage bag lets you have the extra luggage capacity that you can get from a boot rack without having to use a boot rack. It mounts neatly on the boot of most convertible cars. It is fully waterproof and has a 50 litre capacity. The boot bag sits on a soft non-slip mat to protect your paintwork and attaches using soft webbing straps. For full details please see our website.

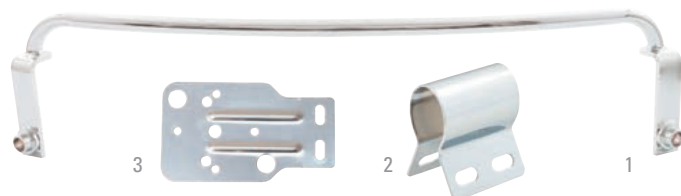
Boot bag luggage systemGAC9155 . . .£83.00



Classic badges

Quality badges for your British classic, suitable for mounting on grille or badge bar.

- 1 BMC Drivers ClubGAC9967X£81.80
- 2 British Motor Racing Marshalls ClubGAC9987X£72.70
- 3 British Racing and Sports Car ClubGAC9969X£22.60
- 4 BARC BrooklandsGAC9966X£22.60
- 5 Festival of BritainGAC9985X£73.60
- 6 England Union flag toothedGAC8043X£30.65
- 7 Queen Elizabeth CommonwealthGAC9968XNCA
- 8 St. ChristopherGAC9970X£67.80
- 9 RAC diamondGAC9971X£36.70
- 10 RAC round laurelGAC1028X£79.80
- 11 RAC toothedGAC8045X£30.65
- 12 UK mainland105-432£8.51
- 13 Union chequered flag (42 x 24mm)DAG000070MMM £33.60
- 14 Union flag screw fit (30 x 50mm)GAC4100£6.90
- 15 Union flag screw fit (35 x 57mm) - chrome .GAC4101£13.55
- 16 Union flag stick on (pair)CRST186£4.21
- 17 Union flag magneticMM215-330£9.80
- 18 Union flag 'flying'DAG000080MMM £20.85
- 19 Union flag stick on - chromeGAC4100CR£9.62
- 20 GB letters stick on - chromeMRD1034SA£13.45
- 21 GB letters set 3 piece - chromeMRD1034A£10.70



Badge bar and mounting clips

Badge bars give your classic that true period appearance.

- 1 MGA badge barAHH5565£72.90
- 2 Clip badges to barGAC8041X£3.00
- 3 Clip badges to grilleGAC8042X£5.00



Mesh grille insert

Made from very high quality, correctly formed stainless steel mesh, this kit fits aftermarket as well as original MGA 1500 grilles. Installation involves removing the slat assembly from your current grille, and replacing it with the formed mesh and custom brackets of this kit. Great looks and improved cooling. Kit comes with detailed illustrated instructions, to transform your MGA into an eye-catching and better performing sports car.

- Mesh grille insert470-085£146.00



Windtone horn

The distinctive sounding Lucas style windtone horns are superb replicas of the horns fitted to many classic cars.

- Windtone horn set1B9007/8£68.00



Air horn kit

Let them know your coming... Our twin air horn set includes two tone horns, a heavy duty die cast compressor, all necessary fittings and full instructions. Note: May not be legal for road use, please check local regulations.

- Dual air horn kitGAC9978X£35.60



Chrome horn

Keeping the under bonnet area looking its best is always easier when you have a few chrome parts fitted. Direct replacement horn finished in luscious chrome.

- Chrome classic horn - 105mmMT9143£15.95



Decal kits

These decal kits contain all the plates and information decals you need for your MGA. For full details of decals and plates please see page 49 in the Restoration section.

- Decal kit Coupé car & under-bodyCRMGK514 ..£17.70
- Decal kit Roadster car & under-bodyCRMGK515 ..£17.70



CLASSIC CAR COLOURS

Classic Car Colours are carefully blended to be an exact match to the original paint used by the factory.

It is worth considering that your car may have faded from its original colour over the years. For this reason we recommend that you carry out a test by applying paint to a piece of metal, or a carefully selected area of your car where a potential mismatch will not be noticed.

Classic Car Colours are available in aerosol (400ml), touch up brush on (125ml) and brush & spray can (500ml).



See inside back cover for more information



SUPERPRO POLYURETHANE BUSHES

With an extensive range of high quality polyurethane bushes and suspension bush kits. SuperPro bushes offer a quieter and longer lasting upgrade to standard rubber bushes.

SuperPro has developed a unique polyurethane formulation exclusively for suspension bushes resulting in an extremely durable product with superior properties to rubber.

- Superior abrasion resistance
- Unaffected by extreme temperature, oils and coolant
- Superior control of noise and vibration



See page A05 for more information



Bonnet straps and pin set

Works style bonnet straps add a classic race & rally look to any classic car. Originally used by the factory BMC Special Tuning department to prevent unwanted opening of the bonnet these straps are perfect for those recreating that retro rally car look or just wanting peace of mind. Manufactured from high quality leather with stainless steel end plates. Available in tan or black either individually or in pairs. Or choose a set of stainless steel bonnet pins to give a modern competition look. Some bodywork modification is required to enable their use.

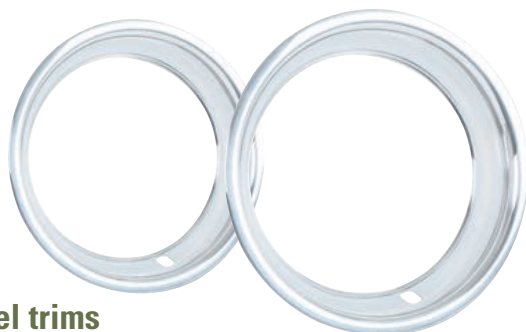
- Bonnet strap black (single)222-601£14.60
- 1 Bonnet strap set black (pair)222-602£27.60
- Bonnet strap tan (single)222-729£14.60
- 2 Bonnet strap set tan (pair)222-728£27.60
- 3 Stainless steel pin setMRAC801S ...£16.70



Decals

A small selection from our range of decals available for your car, please refer to the Restoration section of this catalogue for a listing of the exact requirements for your model.

- 1 BMC rosette (external) CRTR208£5.80
- BMC rosette (internal) CRTR204£5.80
- 2 BMC Special Tuning rosette (external) CRTR207£5.80
- BMC Special Tuning rosette (internal) CRTR207A£5.80
- 3 Leyland Special Tuning Abingdon - green ... CRST153£2.50
- Negative earth sticker CRST113£1.24
- Unipart filter sticker CRST119£1.10
- Tudor water bottle sticker CRST124£1.33
- Triplex screen sticker CRST125£1.60
- 4 British Leyland house sticker CRST126£0.98
- Lucas coil sticker CRST156£2.45
- 5 Leyland Special Tuning sticker CRST110£1.14



Wheel trims

A popular accessory from days past were wheel embellisher trims. Fitted in seconds, these polished stainless steel trims instantly improve the appearance of steel wheels, without breaking the bank.

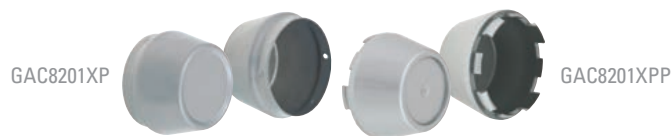
- MGA wheel trim 15" (each)502160Z£50.00



MiniLite replica bolt-on alloy wheels

These stunning looking eight spoke, MiniLite replica bolt-on alloy wheels are a timeless classic design, adding a period charm to your classic. They are manufactured using the latest techniques and testing procedures to ensure the highest quality and reliability. These wheels are available in 15" diameter, the wheels are sold individually and are supplied with grey centre caps. Before fitting your tyre choice, please ensure there is adequate clearance between tyres and wheel arches. Do not fit with standard wheel nuts, please contact your nearest branch for advice.

- Alloy wheel 15" x 5.5" - silverGAC8225X ...£98.50
- Wheel tube nut (each) 16 requiredGAC8225XNT ...£2.54



Replacement hub caps

Minator alloy wheel hub caps are available in two different types to suit different size centre holes in the wheels. For wheels with a 59mm centre hole, the cap is made from spun aluminium and available silver painted or polished. For wheels with 61mm centre holes the cap is made from plastic and painted silver. If you are replacing a missing hub cap please check the hole in the centre of the wheel before ordering.

- Hub cap metal - silver 59mm (each)GAC8201XP ...£9.42
- Hub cap plastic - silver 61mm (each)GAC8201XPP ...£4.37
- MG centre badgeGBC101B£1.80



Locking wheel nut sets

The TriLock system uses a socket with 3 pins that are uniquely matched to the locking nuts. The coned locking nuts are suitable for original steel wheels only. The tube locking nuts are suitable for MiniLite & Revolution alloy wheels only. They are sold as a set of four and are supplied with a security socket for removal.

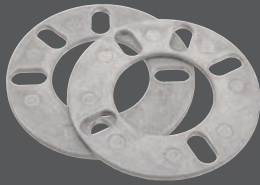
- Locking wheel nut set (coned nut)MLN006£19.15



MG hubcap

These MG hubcaps feature an attractive enamelled red medallion that sets off a steel wheel quite nicely.

- MGA hubcap with MG logo (each)ACH8304 ...£25.00



Wheel spacers

These spacers allow small adjustments to be made to the offset when fitting alternative wheels. Can also be used if you don't wish to shorten your wheel studs when fitting a wire wheel conversion. (Please check with your nearest Moss branch if you are unsure).

- 3mm wheel spacer set (pair) TT6901 £14.60
- 6mm wheel spacer set (pair) TT6902 £18.95

MGA centre lock conversions

This is a straightforward operation, though there is more than one route you can take to fit classic centre lock wheels to your MGA.

The simple way to convert to wire wheels is to use our conversion kit. This kit uses special hub adaptors for the rear axle, which simply fit against the brake drum. This means that expensive and complicated changing of drive shafts and hubs is not necessary.

The front conversion is done using original type wire wheel front hubs to replace the steel wheel type. Existing bearings and seals are retained, but if their condition is questionable please replace them, see page 27 in the Restoration section for the components. The kit contains front hubs, rear hub adaptors, 2-eared spinners, copper & hide mallet and necessary hardware.

- MGA 1500 wire wheel conversion kit 2-eared . . .GAC7025 . . .£512.50
- MGA 1600 wire wheel conversion kit 2-eared . . .GAC7026 . . .£355.70

Alternatively purchase all the original components to carry out the conversion.



Front conversion

Using our MGA Restoration catalogue, you basically need 2 splined hubs (1500cc use ATB4180/ATB4181) (1600cc use BTB142/BTB143). Plus, for 1500cc you also need to replace the front brake drums plus fittings. See page 25 in the Restoration section for the front hub details.

Rear conversion

The traditional (and more aesthetic) approach is to replace the axle shafts, you must be aware that MG used 3 different splined shafts depending on model and/or year. If your axle has been replaced at any time we will need to know if the shaft has 10, 26, or 25 splines. It may sound complicated, but replacing the shafts is quite easy, and from a purists view much better.

For full conversion options/details please contact your nearest Moss branch with full model information and a member of our sales staff will help you with your choice of conversion, wheel style and spinners. See page 27 in the Restoration section for rear axle details.



Centre lock alloy wheels

All wheels are sold individually.

Offered as an alternative to wire wheels, these 8 spoke MiniLite replica alloys are an ideal way to add period sporting style to your classic. The wheels are sold individually and are for fitment to splined hubs only, they can be used in conjunction with our centre lock hub conversion kits. Before fitting your tyre choice, please ensure there is adequate clearance between the tyres and wheel arches.

- Alloy wheel 15" x 5.5" - silver GAC8255X . . £210.00



Centre lock spinners

All our centre lock spinners are made from the highest quality materials and are precision engineered to ensure an accurate fit. We have three styles of spinner to choose from: octagonal, two or three eared. Two and three eared spinners can be fitted with either a hammer or a spanner, octagonal spinners require a spanner.

Please note: There are various ways to convert your MGA to wire wheels. If your car has existing wire wheels and you want to change the spinners, please check the TPI (threads per inch) of the hubs on the car. MGA's were originally produced with 12TPI, however some conversions use 8TPI. Please check and order accordingly. Please check local regulations for eared spinners.

- 2-eared (12 tpi) RH (plain) AHH7317 . . . £24.50
- 2-eared (12 tpi) LH (plain) AHH7318 . . . £24.50
- 2-eared (12 tpi) RH with MG logo AHH7317A . . £23.80
- 2-eared (12 tpi) LH with MG logo AHH7318A . . £23.80
- 2-eared (8 tpi) RH (plain) AHA7373 . . . £24.60
- 2-eared (8 tpi) LH (plain) AHA7374 . . . £24.60
- 2-eared (8 tpi) RH with MG logo AHA7373A . . £24.60
- 2-eared (8 tpi) LH with MG logo AHA7374A . . £24.60
- 3-eared (12 tpi) RH (plain) AHH73173 . . £48.20
- 3-eared (12 tpi) LH (plain) AHH73183 . . £48.20
- 3-eared (8 tpi) RH (plain) 107948/3 . . . £48.20
- 3-eared (8 tpi) LH (plain) 107949/3 . . . £48.20
- Octagonal (12 tpi) RH (plain) AHH7315 . . . £24.00
- Octagonal (12 tpi) LH (plain) AHH7316 . . . £24.00
- Octagonal (12 tpi) RH with MG logo AHH7315A . . £24.00
- Octagonal (12 tpi) LH with MG logo AHH7316A . . £24.00
- Octagonal (8 tpi) RH (plain) 88G606 . . . £22.50
- Octagonal (8 tpi) LH (plain) 88G607 . . . £22.50
- Octagonal (8 tpi) RH with MG logo 88G606A . . . £24.00
- Octagonal (8 tpi) LH with MG logo 88G607A . . . £24.00



White wall tyre trims

A popular accessory in the past were white wall tyres, unfortunately if you can find them now they tend to be made for the US market and of a much harder compound than European tyres.

However, we are able to supply a rubber ring which is sandwiched between the wheel rim and the tyre wall, recreating the look of white wall tyres but allowing the use of quality modern tyres.

White wall tyre trim - 15" wheels (set of 4)GLZ227WWX4 . .£55.00



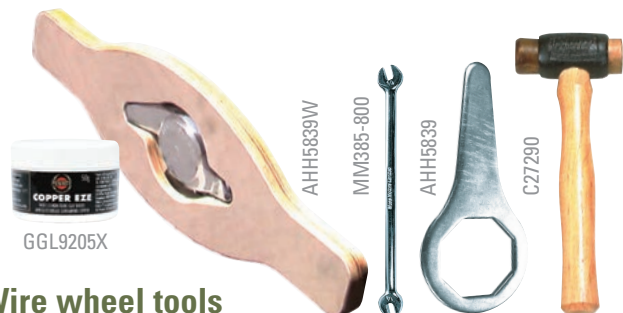
Wire wheel essentials

Creating an air tight seal on a wire wheel can be somewhat difficult, making the use of inner tubes necessary. To prevent the inner tube chaffing against the spoke nipples the fitting of a rim band is highly recommended.

Inner tube for 15" x 155/165 tyres452-755£12.60

Inner tube for 15" x 175/185 tyres452-765£20.90

Rim band for 15" wheels452-750£10.60



Wire wheel tools

The use of a soft-faced hammer is essential if you do not want to damage chrome plated spinners when removing or fitting centre lock wheels. We have a choice of three soft hammers. Extra long spanners are also available, providing much greater leverage for spinners and therefore easier fitting. To help keep your wire wheels looking like new we recommend you use our specialist cleaning kit. We also supply a special lubricant to help keep the splines in good condition.



MM386-120

Copper and hide hammerC27290£25.00

Copper faced hammer11B5166£25.00

Spoke adjusting spannerMM385-800 . . .£9.50

Short octagonal spannerAHH5839 . . .£5.90

Long octagonal spannerMM386-120 . .£48.50

Long spanner 2-earedMM386-125 . .£48.50

Wooden wrench 2-earedAHH5839W . .£25.60

(This unique double ended knock-off wrench, made from plywood, slips over the spinner for easy tightening and removal of spinners. Will not work with centre laced wheels.)

Wire wheel cleaning kitGAC4134X . .£28.15

Spline lubricant copper-eze 50gGGL9205X . .£3.66

(Essential for maintaining the splines and threads of hubs, wheels and spinners).



WWC452

WWC459

Wire wheels

An essential part of a British classic sports car's styling was the fitment of wire wheels. Whether fitted as standard or not, a set of chrome wire wheels will not only enhance the appearance of your car, but also the value.

Our wire wheel spokes and nipples are manufactured from stainless steel, with the chrome wire wheel spokes and nipples finished by chroming over the top in keeping with the rest of the wheel. They are available in different specifications; 48, 60 or 72 spokes, and a choice of classic chrome finish, or painted in wheel silver.

Depending on how you are intending to use your car, these wheels are available in standard or uprated specification. Before fitting your tyre choice, please ensure there is adequate clearance between the tyres and wheel arches.

Chrome finish wire wheels

MGA standard 15" x 4" with 48 spokesWWC450 . .£211.00

MGA uprated 15" x 4.5", with 60 spokesWWC452 . .£222.20

MGA uprated 15" x 5", with 72 spokesWWC459 . .£277.20



WWP450

WWP459

Painted finish wire wheels

MGA standard 15" x 4" with 48 spokesWWP450 . .£154.80

MGA uprated 15" x 4.5", with 60 spokesWWP452 . .£154.20

MGA uprated 15" x 5", with 72 spokesWWP459 . .£189.90



Axle hub nut box spanners

A must for any MG owner. Remanufactured original tools for rear hub nuts.

Box spanner rear hub 1 61/64" (50mm)18G152B . .£36.70



Tyre valve caps

These subtle and elegant nickel plated steel valve caps have an embossed MG logo.

MG logo valve caps nickel plated (each)GAC1054X . .£6.46



GAC4601



GAC4619

Spot & fog lamps

Give your MG a classic rally look with our range of lamps, and see where you're going at night! All use an H3 replacement bulb GLB453 and can be fitted using the universal wiring kit GAC4027.

- Chrome 5.5" angel eye spot lamps (pair)GAC4601NCA
- Chrome 5.5" angel eye fog lamps (pair)GAC4602£52.80
- Stainless steel 5" driving lamps (pair)GAC4619£39.80



GAC4610



WPS6007

- Chrome 5.5" standard pattern spot lamps (pair) .GAC4610£44.50
- Chrome 5.5" standard pattern fog lamps (pair) .GAC4611£51.80
- Replacement bulb H3GLB453£3.76
- Replacement bulb H3 Xenon 30% brighter (each) GLB453X£8.95
- Wiring fitting kit (universal)GAC4027£11.70

Wipac 5.5" chrome plated driving & fog lamps, with tough plastic lens covers.

- Driving lamp (pair) - WipacWPS6007£26.40
- Fog lamp (pair) - WipacWPS6078£26.40



BHA4399



MM162-800

MM162-700

Period style lamps

These outstanding reproductions of the original Lucas L576 units are available as either a driving lamp with a clear lens or a fog lamp with a fluted lens in either a base or back mounting. Use a back mounted fluted lamp as a works style reverse lamp.

- Driving lamp with clear lens (each)MM162-700£75.00
- Front fog lamp with fluted lens (each)MM162-800£75.00
- Back mounted lamp with fluted lens (each)BHA4399£75.00
- Back mounted lamp with clear lens (each)57H5322£75.00

Don't worry if your spot or fog lamp gets damaged we stock replacement glass lamp units, so you don't have to buy the whole lamp again.

- Replacement lamp unit with fluted lens (each) ...ACG5179£33.00
- Replacement lamp unit with clear lens (each) ...57H5015£34.00
- Replacement bulb driving lamp (each)GLB185£4.32
- Replacement bulb fog lamp (each)GLB323£5.15



GAC4608



GAC4609

Auxiliary reverse & fog lamps

Many classics were not originally fitted with reverse or rear fog lamps. These universal polished stainless steel lamps measure 55mm x 110mm (2" x 4.5" approx.) and can be easily fitted, ideal for mounting under bumpers etc... Fog lamps require an illuminated switch mounted visibly on the dashboard.

- Auxiliary fog lampGAC4608£18.60
- Auxiliary reverse lampGAC4609£18.95
- Bulb replacement 12V 20W (each)GAC4608B£3.14



3H3058



GWW102X



RTC430A



GAE132G

General switches

A range of period looking switches for general purpose use. Use a momentary switch for starters, horns, washers, and the 1 position for auxiliary lamps.

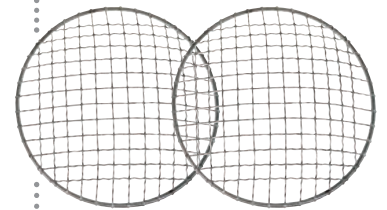
- Push button switch momentary3H3058£13.00
- Toggle switch momentaryGWW102X£17.95
- Toggle switch on/offRTC430A£4.00
- Pull switch on/off - white illuminationGAE132£13.00
- Pull switch on/off - green illuminationGAE132G£13.00
- Pull switch on/off - red illuminationGAE132R£13.00
- Pull switch on/off - yellow illuminationGAE132Y£13.00
- Fuse holder inlineUKC4446£1.85



Headlamp peaks

This pair of headlamp peaks are good excuse to fit some chrome.

- GAC7999X£11.30



Chrome headlamp stone guards

Add some protection to your headlamps with these clip fit period chrome guards.

- GAC8000X£10.60



Headlamp protectors

A thin, invisible layer of Lamin-X protects headlamps from stone chips and scratches, and keeps your lights looking new for years to come. Fits all 7" round headlamps. Sold as a pair. Lamp unit not included.

- 162-695£15.70



162-705

Spot/fog lamp cover with Lucas logo

This authentic 1950-60's style, vinyl spot/fog lamp cover features the Lucas lion logo, with a clear viewing window.

- 6", black (each) .162-705 .£51.70
- 7", black (each) .162-706 .£51.70



Headlamp relay kits

Fitting halogen headlamps puts high loads on electrical components. These kits allow easy installation of relays into the headlamp circuit allowing for the high current circuit to be run through the relay. Fitting relays in headlamp circuits protects your wiring and reduces the resistance in the circuit allowing full power to the lamps. Kits include relays and fittings. The single relay kit can also be used for wiring spotlamps, horns and other electrical accessories.

- Headlamp relay kit 2 relay117-515**£31.65**
(Inc: 2 relays, pre-wired relay holders, fitted terminals, fittings & instructions).
- Relay kit 1 relayGAC4027**£11.70**
(Inc: 1 relay, non-assembled wiring, terminals & fittings).
- PVC tubing black pre cut metre504806**£0.76**



Headlamp kits - HID H4 conversion

HID (High Intensity Discharge) headlamps are a breakthrough in vehicle lighting technology and are found in many current production cars. Now classic cars can benefit from this technology with this HID bulb conversion kit exclusively from Moss Europe.

- Higher light output - up to 3 times brighter than halogen
- Safer night driving - brighter light with improved range
- Nominal 3.5 amp draw when on, ideal for dynamo equipped cars
- Longer lasting bulbs - at least 6 times longer than halogen

Fitment note: This kit does not include the head lamp units. If your car is already fitted with H4 halogen headlamps, this kit is a direct fit. However, if your car is fitted with sealed beam units, P45 or other types of headlamps you will need to purchase an H4 halogen conversion separately. Negative earth only. For more information, please check our website. HID bulb kits are sold for off road use only.

- HID bulb conversion kit - H4GAC4022HNCA



LED tail light kit

This LED kit means classic cars no longer need to compromise on safety and visibility. The immediate, intense light the LED's produce transforms your brake lights from wispy candles to high-powered beams. The design intentionally places the individual LED's so that they replicate the original pattern as closely as possible, in respect to the heritage of these classics. Fitting requires drilling of a couple of small holes and this is for negative earth cars only.

- LED tail light kit143-810**£84.50**



H4 halogen headlamp conversions

Fitting modern halogen headlamps is one of the most worthwhile safety improvements you can make to your classic. Powerful halogen bulbs combined with improved lens design, result in a superior light beam and pattern. Replacement lens units are available, please see the Restoration section.

Wipac quad optic kits

- No pilot RHD (pair)GAC4022**£42.00**
- No pilot LHD (pair)MGE203**£50.00**
- With pilot RHD (pair)GAC4023Z**£42.00**
- With pilot LHD (pair)WPS4699**£54.00**

Lucas H4 asymmetric kits

These are genuine Lucas H4 asymmetric halogen lamp units, only available with a pilot light.

- With pilot RHD (pair)GAC4023**£90.79**
- With pilot LHD (pair)LULUB802**£96.01**



Replacement bulbs

You can choose to fit the standard 60/55W H4 bulbs, or replace them with either uprated H4 100/90W or super white xenon bulbs. The super white xenon bulbs are approximately 30% brighter than halogen.

- H4 60/55 watts (each)GLB472**£4.05**
- H4 100/90 watts (check regulations) (each)GLB484**£6.10**
- Xenon H4 60/55 watts (pair)GLB472X**£8.86**
- Xenon H4 60/55 watts blue tint (pair)GLB472BLU**£8.76**



Tripod headlamps

Original equipment on early British cars. These Tripod style headlamps can be retro fitted to any suitable classic, but expect a reduction in light output. Suitable for period drives in the country on a warm summers evening.

- Tripod headlamps use BPF bulbs.
- Tripod headlamp assembly RHD (each)506370X**£99.60**
- Tripod headlamp assembly LHD (each)506372X**£96.40**
- Tripod lamp unit RHD (each)LU554308**£66.90**
- Tripod lamp unit LHD (each)LU555296**£67.00**
- Replacement bulb RHD (each)GLB414**£3.30**
- Replacement bulb LHD (each)GLB415**£8.00**



Car covers

Protecting your cherished classic with a car cover will help to keep the paint, hood and brightwork in the best possible condition and safe from the elements. Whether you need a cover to keep the dust off your car whilst in your garage, a lightweight cover to take to the shows and occasional use, or a cover that provides excellent weather protection for cars kept outside all year round. Moss have the perfect car cover to fit your car!

Weatherproof outdoor covers

Our range of outdoor weatherproof car covers are manufactured from breathable fabrics. They feature double-stitched seams throughout, with neoprene elastic sewn into the front and rear hems. Fitted with reinforced, scratch-proof grommets for tying down. Simply choose the fabric to suit your requirements: Stormproof or Mosom Plus:

Mosom Plus outdoor cover

Our range of Mosom outdoor weatherproof car covers are manufactured from breathable fabrics with double-stitched seams. The Mosom Plus is rain resistant, yet breathable and features a multi-layer polypropylene fabric which remains soft and pliable in all weather conditions with a soft lining. Fitted with reinforced, scratch-proof grommets for tying down.

Recommended for short-term outdoor use. **Note: No car cover is completely waterproof. Car covers must only be used on a dry car.**

Mosom plus car coverGAC2011X . . .£93.00

Ultimate outdoor cover

Ultimate car covers by Classic Additions use a specially formulated advanced nanotechnology formula which gives a unique water resistant coating ensuring long term protection for your classic. Fully waterproof, fully breathable, strong and stretchy. Manufactured in a discrete grey colour these car covers are suitable for use both indoors and outdoors. **Note: No car cover is completely waterproof. Car covers must only be used on a dry car.**

Ultimate outdoor car cover SIGAC95041 . .£227.00

Cockpit covers

Hot sun, wind and dirt will slowly but surely destroy your interior. Our cockpit cover serves the vital function of protecting your interior without the bulk of a full tonneau or car cover. **Note: No car cover is completely waterproof. Car covers must only be used on a dry car.**

Cockpit cover237-810£45.00



GAC9224X

SmartScreen wiper system

These SmartScreen wiper kits allow intermittent wiper delay of between three and thirty seconds, programmed by using your existing wiper switch. SmartScreen wash/wiper kit allows you to have an automatic wiper system when using your electric screen-wash. All kits are easy to fit and come with full instructions.

SmartScreen system (positive earth)GAC9222X . .£32.20
SmartScreen system (negative earth converted) . .GAC9224X . .£31.10



Brooklands aeroscreens

Our period style aeroscreens feature a polished cast aluminium frame, chrome plated fittings, complete with mounting brackets and laminated safety glass.

Aeroscreen and brackets (each)700896 . . .£71.50
Aeroscreen fitting kit700896FK . . .£9.94
Fixing screw (each)AD608063 . . .£0.29
Attachment bolt (each)602078 . . .£9.94



Wind wings

These polished clear plexiglass wind wings simply clip on to the side of the windscreen frame, so there is no need for drilling. And yes, they really do work!

MGA wind wing set (pair)
MM240-200£59.00



Plexiglass sun visors

Our polished and tinted plexiglass sun visors are suitable for MGA. They fit on the top of the windscreen frame. **Note drilling is required to fit.**

Plexiglass sun visor (each)
MM240-300£24.50



Cable lock for car covers

Make your cover secure and keep prying eyes away with this cable and lock.

Car cover cable and lockGAC2022X . .£13.25



DYNAMAT NOISE & HEAT INSULATION

Two steps to a quieter, cooler, better feeling great car...

Step 1 Dynamat - to deaden the noise

Apply Dynamat to all the accessible interior panels of your car. Dynamat is best for noise reduction with some heat reduction... Start with firewall/bulkheads, gearbox tunnel, front floors, doors, rear floors, roofs, wheel arches, under bonnet, boot lid.

Step 2 Dynaliner - insulates against heat

Apply Dynaliner over the top of Dynamat to reduce heat soak by up to 70%. Also helps with noise reduction.



See page A44 for more information



HIGH TORQUE STARTER MOTORS

Especially useful for high compression engines, these powerful and lightweight starter motors are a straight replacement for the original.

The benefit of their huge increase in cranking power means they are less likely to burn out under strain.

WOSP high performance starters have been available in the UK for the last 20 years. They

are built to the highest standards. Most WOSP starter units are based on a modified high power 1.4kW Denso high torque starter motor.



See page A10 for more information

Vinyl, double duck, mohair and happisch hoods



The hoods supplied by Moss are made on jigs matching those used by the factory, by staff that have over 100 years experience of hood manufacturing between them. The vinyl we use is from the same supplier that originally supplied the factory, these are the closest you will get to an original hood in terms of quality, fit and appearance.

Double duck material is a canvas based material which whilst being durable, is prone to fading in direct sunlight.



AKE1762

MGA 1500-1600cc hoods - black

Early 1500cc vinyl with 1 window	AKE1760 . . .	£300.30
Early 1500cc double duck with 1 window	AKE1760DD . . .	£464.00
Late 1500-1600cc vinyl with 3 window	AKE1762 . . .	£280.00
Late 1500-1600cc double duck with 3 window	AKE1762DD . . .	£468.00
Late 1500-1600cc mohair with 3 window	AKE1762MH . . .	£541.00



AFH6572

Tonneau

Protect your interior from prying eyes and the harmful effects of the sun's rays when parked with the hood down with a quality tonneau cover made to the original specifications. For full details and hood frame/fixings please refer to the main Restoration catalogue for your model.

All these listings are for black covers, other colours and special requirements may be available to order, please contact your nearest branch.

MGA tonneau RHD

Original style 960mm RHD - black vinyl	AKE1756 . . .	£161.70
Short style RHD - black vinyl	AFH6572 . . .	£195.00
Long style RHD - black vinyl.	AFH6572L . . .	£178.60

MGA tonneau LHD

Original style 960mm LHD - black vinyl.	AKE1758 . . .	£161.70
Short style LHD - black vinyl	AFH6571L . . .	£157.50
Long style LHD - black vinyl.	AFH6571LL . . .	£174.20



GAC2014X



GAC2017X

MGA fabric side screen sets

We stock the original style fabric-covered side screen sets for 1500cc and 1600cc models. We have made these in the same Haartz stayfast fabric and durable canvas to match the original style fabric and canvas tops we stock.

MGA 1500cc

These side screens are exact copies of the originals, they include the lifting curtain so the doors can be opened from outside and allow the driver to give hand signals!

Side screen set vinyl - black	GAC2014X . . .	£708.00
Side screen set double duck - black	GAC2015X . . .	£749.00

MGA 1600cc

Our 1600cc side screens have perspex sliding windows, enabling the driver to see to the left and right without unpleasant bending.

Side screen set vinyl - black	GAC2017X . . .	£585.00
Side screen set vinyl - grey	GAC2019X . . .	£733.00
Side screen set vinyl - red	GAC2020X . . .	£700.40
Side screen set double duck - black	GAC2016X . . .	£642.00
Side screen set Haartz stayfast - tan	GAC2018X . . .	£885.00



MM259-648

Moss MGA side screen set

We started with the original sliding plexiglass/aluminium framed side screens and improved them to ensure a perfect fit. These side screens are extremely well made and virtually identical in construction to the factory options.

Side screen set	MM259-648 . . .	£404.00
Bracket set	MM259-637 . . .	£40.60
Rubber set	MM259-647 . . .	£45.20

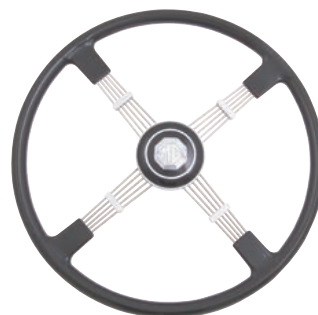


246-012

Armrest kits

These armrest kits are available in a range of colours and a choice of leather or vinyl. They give that little bit of extra comfort while driving your MGA.

Armrest kit leather - black246-012£88.00
Armrest kit leather - black/white246-032£88.00
Armrest kit leather - black/red246-022£88.00
Armrest kit leather - black/blue246-042£88.00
Armrest kit vinyl - black246-013£60.00
Armrest kit vinyl - black/red246-023£60.00
Armrest kit vinyl - black/white246-033£60.00



MGA Brooklands steering wheel



This classic Brooklands steering wheel is a faithful reproduction of the original which gives a classic look to your MGA's interior. Enhance the wheel with a 'Brooklands' badge, sold separately.

MGA Brooklands steering wheel black rim453-165	...£343.00
Brooklands spoke badge262-315£21.00



Original washer pump

Re-introduced after several years absence, this pump is faithful to the original, very welcome to help keep your MGA original.

Original washer pump	27H9624£44.20
----------------------	---------	-------------



MG grab handle

Add a touch of class with these elegant MG logo'd chrome plated handles.

MG grab handle (each)	229-101£25.00
-----------------------	---------	-------------



MGA factory style steering wheel

Moto-Lita

This wood rimmed wheel is a factory style wheel from Moto-Lita with 3 polished aircraft-grade aluminium slotted spokes that fits directly to the original boss and uses the standard centre piece.

MGA factory type wood rimmed wheelMGA1706	...£551.00
------------------------------------	--------------	------------

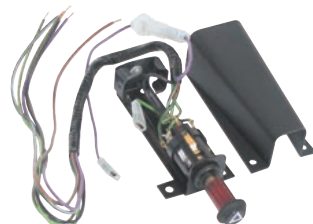


GAC0060

Pro start push button

Add race car feel to your MG with the pro start push button starter switch. The LED type illuminated green with the ignition on but goes out when the engine is running. Easy to fit with no cutting of wires.

Pro start push buttonGAC0060	...£33.00
Pro start push button with LEDGAC0061	...£44.00



Hazard warning light kit

If your classic pre-dates the fitting of hazard lights as standard, you can now be that little bit safer with our easy to install hazard warning light kit that includes all fittings. (This hazard warning light kit is suitable for models with standard negative earth system).

Hazard warning light kit (negative earth)GSS159£31.20
---	-------------	-------------



233-610


Burr walnut dashboards

Transform the interior of your classic with our hand crafted Burr Walnut veneer kits. All our real wood veneer kits are individually made by skilled craftsmen, using traditional coach building methods to ensure a high gloss finish and a perfect fit.

Burr walnut veneer kit RHD modelsMM233-615	..£333.20
(Complete with radio blanking plate)		
Burr walnut veneer kit LHD models233-610	...£343.80
(Complete with speaker screen and all mounting hardware)		



Tourist Trophy steering wheels

 Handcrafted to high standards these wheels are available with the choice of a sporty leather rim or a classic riveted wood rim with a variety of spoke designs and finishes; drilled or slotted in either matt alloy or black. The frames are made from high strength aluminium. The boss kit includes a high quality chrome and enamel MG badge.

- Leather rim black drilled spokes 14" 489-040 . . .£112.15
- Leather rim matt alloy drilled spokes 15" 489-020 . . .£112.15
- Leather rim matt alloy drilled spokes 14" 489-030 . . .£112.15
- Leather rim black slotted spokes 15" 489-050 . . .£112.15
- Laminated wood rim matt alloy drilled spokes 15" . 489-060 . . .£123.35
- Laminated wood rim matt alloy drilled spokes 14" . 489-070 . . .£123.35
- Laminated wood rim matt alloy slotted spokes 15" . 489-080 . . .£123.35
- Solid thick wood rim alloy drilled spokes 14" . . 489-095 . . .£123.50
- Solid thick wood rim alloy drilled spokes 15" . . 489-090 . . .£120.00



Tourist Trophy boss and accessories

- Boss kit with 46mm enamel MG badge 454-338 . . .£46.20
- Horn push with MG badge 905-646 . . .£18.00

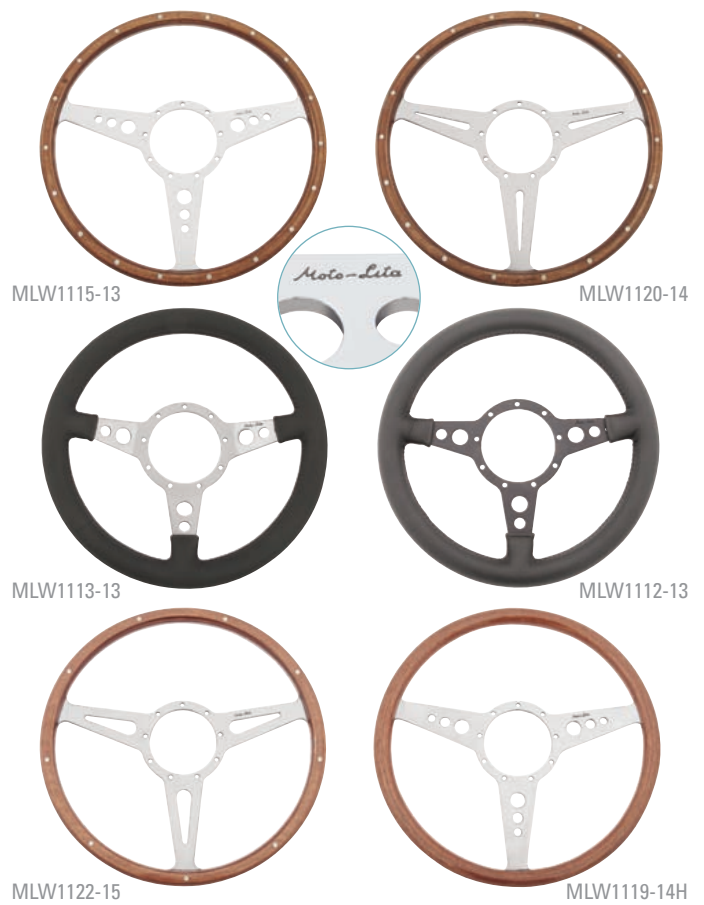
Ignition key blanks



GAC1049X

Keys are blank ready to be cut (sorry we can not cut keys). Order by the series number of your original lock.

- MRN series GAC1049X . . .£10.60
- FA series GAC1050X . . .£10.60
- FS series GAC1051X . . .£10.60
- FP series GAC1052X . . .£10.60
- RV series GAC1053X . . .£10.60



Moto-Lita steering wheels

Moto-Lita

Moto-Lita are among the finest replacement steering wheels available. Designed to enhance the appearance of the cockpit and provide an improved feel for the driver. Available in a variety of styles, materials and sizes to suit, please see our website for the full list of options. All steering wheels listed feature drilled spokes, except where detailed.

Wood rimmed steering wheels

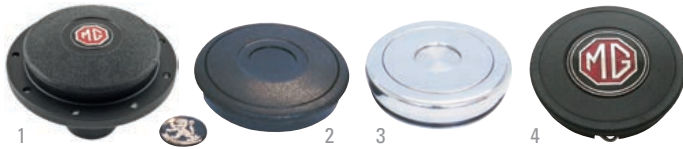
- Mk3 flat polished spokes 13" MLW1115-13 . .£163.50
- Mk3 flat polished spokes 14" MLW1115-14 . .£163.50
- Mk3 flat polished spokes 15" MLW1115-15 . .£163.50
- Mk3 dished polished spokes 13" MLW1116-13 . .£163.50
- Mk3 dished polished spokes 14" MLW1116-14 . .£163.50
- Mk3 dished polished spokes 15" MLW1116-15 . .£163.50
- Mk3 flat polished spokes with thin slot 14" . . MLW1120-14 . .£163.50
- Mk3 flat polished spokes with thin slot 15" . . MLW1120-15 . .£163.50
- Mk3 flat polished spokes with wide slot 15" . . MLW1122-15 . .£163.50

Leather rimmed steering wheels

- Mk4 flat polished spokes 12" MLW1111-12 . .£163.50
- Mk4 flat polished spokes 13" MLW1111-13 . .£163.50
- Mk4 flat polished spokes 14" MLW1111-14 . .£163.50
- Mk4 flat polished spokes 15" MLW1111-15 . .£163.50
- Mk4 flat black spokes 13" MLW1112-13 . .£163.50
- Mk4 flat black spokes 14" MLW1112-14 . .£163.50
- Mk4 flat black spokes 15" MLW1112-15 . .£163.50
- Mk4 dished polished spokes 13" MLW1113-13 . .£163.50
- Mk4 dished polished spokes 14" MLW1113-14 . .£163.50
- Mk4 dished polished spokes 15" MLW1113-15 . .£163.50
- Mk4 dished black spokes 13" MLW1114-13 . .£163.50
- Mk4 dished black spokes 14" MLW1114-14 . .£163.50
- Mk4 dished black spokes 15" MLW1114-15 . .£163.50

Mahogany rimmed steering wheels

- Mk9 flat polished spokes 14" MLW1119-14H .£226.30
- Mk9 flat polished spokes 15" MLW1119-15H .£226.30



Moto-Lita bosses and accessories

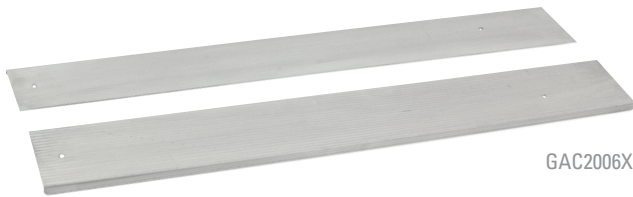
Moto-Lita

Where specified the boss kits are supplied with a plastic centre cap/horn push. Replacement plastic centre cap/horn pushes are available, or you can upgrade to a polished aluminium centre cap/horn push, all feature a recess for a badge. Replacement ring and screw kits are also available.

- 1 Adaptor boss (supplied with a plastic cap) . . .MLW1117B1 **£58.00**
Plastic centre capMLW1117X1 **£11.15**
- 2 Plastic centre cap/horn pushMLW1117X2 **£20.85**
Polished alloy centre capMLW1117BCC **£46.20**
- 3 Polished alloy centre cap/horn pushMLW1117BHP **£77.30**
Polished ring kitMLW1117X3 **£11.82**
Black ring kitMLW1117X3B **£11.51**

Tourist Trophy centre cap/horn push & larger MG badge will fit Moto-Lita bosses.

- 4 Plastic centre cap/horn push with MG badge . . .905-646 **£18.00**

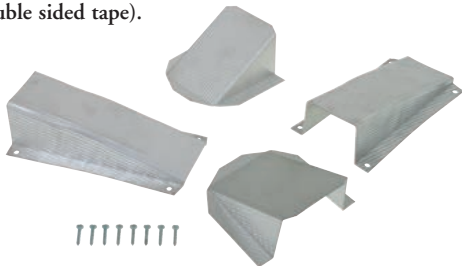


GAC2006X

MGA aluminium cockpit trim sets

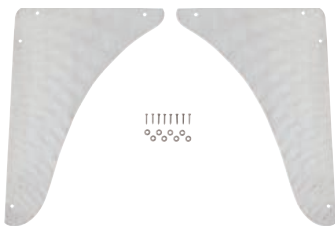
Protect your MGA's paint from scuffs and scratches. Made of polished ribbed aluminium, these attractive cover sets come complete with mounting screws.

- Threshold plate setGAC2006X . . **£34.70**
(Covers and protects your sills from scuffs. Can be fitted by screws, rivets, glue, or double sided tape).



GAC2005X

- Frame cover setGAC2005X . . **£72.60**
(4 piece set to cover the exposed chassis sections).



GAC2007X

- Scuff plate setGAC2007X . . **£62.10**
(Protects the lower front corner of your door panels).



GAC2009X

- Throttle plateGAC2009X . . **£24.00**
(Prevents or covers up carpet wear where your throttle foot rests).



MG alloy gear knob

This anodised staybrite alloy gear knob featuring the MG logo is suitable for all MG models with it's unique grub screw locating system.

- MG logo alloy gear lever knob
GAC0053 **£35.60**



MOMO gear knobs

For over 30 years MOMO has been developing and producing automotive products to the very highest quality. Many manufacturers fit MOMO as an optional upgrade.

- 1 Race air leather alloy gear knob
MOMO1060 **£77.30**
- 2 Race air leather gear knob
MOMO1057 **£72.00**
- 3 Anatomic hide gear knob
MOMO1050 **£63.50**
- 4 Aluminium sport gear knob
MOMO1054 **£60.80**
- 5 Competition gear knob
MOMO1053 **£60.10**



Gaiter finisher kit

Smarten up your gear stick with this easy to fit universal gaiter finisher kit. Some gaiters may require modification to fit. (Gaiter not included).

- Chrome gaiter finishing kit
GAC9540 **£18.10**



MG gear knobs

Choose either our varnished wood, or comfortable leather finish gear knob both featuring a smart 'MG' emblem. Supplied with a nylon, self threading insert to enable easy fitting.

- MG leather gear knob
GAC4045 **£12.00**
- MG wooden gear knob
GAC4048 **£12.50**



Expandable cup holder

This folding cup holder can be mounted almost anywhere inside your car. The arms adjust in or out to suit the size of your container and folds up when not in use.

- Expandable cup holder
222-090 **£8.50**



Paddy Hopkirk pedal

The Paddy Hopkirk pedal (extension) is specifically designed to help heel and toe gear changing. Installation will require hand tools. (Not suitable for floor mounted pedals).

- Paddy Hopkirk pedal extension
900-315 **£34.70**



12 volt supply

This 12 volt supply is a useful addition to your classic's interior.

- 12 volt supply
AHH7010 **£16.50**

Overmats

Choose from a selection of overmats to protect your carpets, either moulded rubber or a pair of our hard wearing carpet mats.



Rubber overmats

These high quality injection moulded rubber mats each feature a specific logo. Keep carpet wear to a minimum and easily cleaned with a bit of soap and water.

Rubber overmats (pair)GAC6814£26.45



Plush carpet overmats

Custom tailored plush embroidered mats look great at a great price and fit perfectly. Edges are bound for a tidy look. Rubber nibbed backing keeps the mats in place. MG embroidered logo is 3 1/2" diameter.

Plush overmats (pair)240-711£42.40



Ultra plush carpet overmats

Custom tailored for a perfect fit, these mats are made with an ultra-dense plush carpet and non-slip rubber backing. They come embroidered with a colourful 3 1/2" MG logo.

Ultra plush overmats (pair)240-710£157.40



Foil heatshield insulation

This foil covered heat and sound deadening material can be installed under carpets, over the transmission tunnel, against bulkheads, etc. Insulates against hot and cold and deadens noise. The insulation material is lightweight, has a layer of foil on both sides and will not absorb moisture.

Foil heatshield, 1.21m x 1.82m (48" x 72")409-016£31.50

High temperature adhesive - aerosol 400mlGAC9908X£9.37

Standard adhesive - aerosol 400mlUBS203£7.70



242-465

Spare tyre covers

To finish the boot area, spare tyre covers are available in a selection of colours.

Roadster & 1500 coupé - black242-465£77.30

Roadster & 1500 coupé - red242-475£77.30

Roadster & 1500 coupé - honey tan242-477£75.00

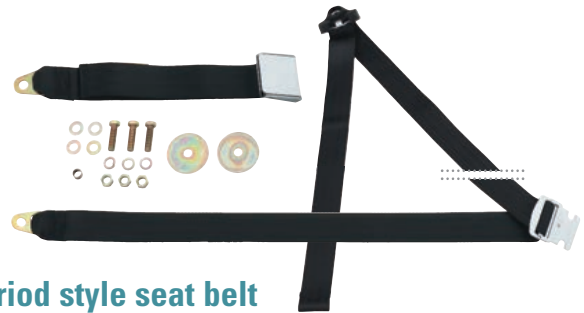
Roadsters & 1500 coupé - grey242-935£72.00

1600 & MkII coupé - black246-435£74.10

1600 & MkII coupé - red246-445£74.10

1600 & MkII coupé - grey242-945£72.00

1600 & MkII coupé - honey tan246-447£72.00



Period style seat belt

This period style seat belt features a chrome catch and fittings.

MGA period style belt (USA spec.)AKF1646B ..£58.50

(Only MGA 1622 MkII had provision for captive nuts to mount seat belts.

Note: AKF1646B requires plates TT7968 and bolt spacer kit TT7969).



Vintage competition lap belt

It features a quick release buckle and includes fittings. This belt is not type approved therefore should only be used in cars that pre-date seat belt regulations.

Vintage competition lap belt (each)MM222-211 ..£111.55



Harness fittings

Harness back strap adapter (pair)TT7972£6.30
(Allows harness strap to wrap around roll cage)

Eye bolts (pair) - use with clip-in mountingsTT7967£7.48

Bolt and spacer (pair) - use with plate mountingsTT7969£4.62

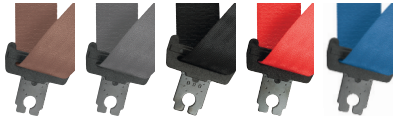
Nut plates (pair) - reinforced for fixing boltsTT7968£6.46

Front seat belt kits



This is our range of Securon replacement seat belts to best suit MGA models. All Securon seat belts are manufactured in the UK to exacting standards & are 'E' approved for road use.

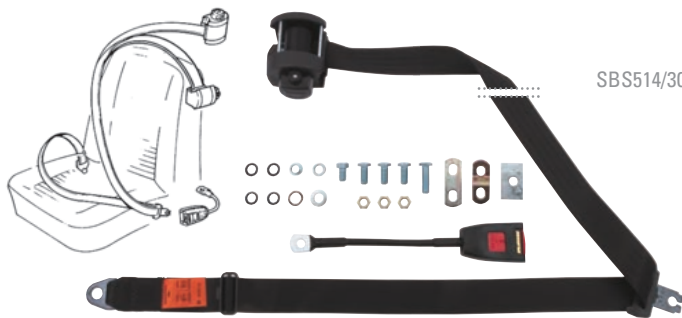
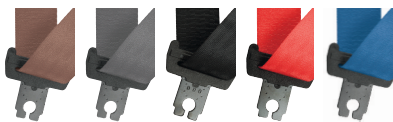
The adjustable reel belts attach to the original 3 mounting points but feature angle-adjustable reel, eliminating pivot/guide on top of the wheel arch, offering a solution to problems encountered where mounting points may be unsuitable because of non-standard seats or a rollover bar. The replacement belts come with fittings and are sold individually.



SBS300/30

Static seat belts (each)

- Static seat belt kit 30cm stalk - blackSBS300/30£24.70
- Static seat belt kit 30cm stalk - redSBS300/30RED . .£34.00
- Static seat belt kit 30cm stalk - beigeSBS300/30BGE . .£34.00
- Static seat belt kit 30cm stalk - greySBS300/30GREY .£34.00
- Static seat belt kit 30cm stalk - blueSBS300/30BLU . .£34.00



SBS514/30

Angle adjustable inertia seat belts (each)

- Inertia seat belt 30cm stalk - blackSBS514/30£43.90
- Inertia seat belt 30cm stalk - redSBS514/30RED . .£52.80
- Inertia seat belt 30cm stalk - beigeSBS514/30BGE . .£52.80
- Inertia seat belt 30cm stalk - greySBS514/30GREY .£52.80
- Inertia seat belt 30cm stalk - blueSBS514/30BLU . .£52.80



Seat belt extender

This can be used to safely extend the seat belt if required. It should only be bolted to the sill mounting position and then bolted to the eyelet on the end of the seat belt. It must not be used at any other mounting point. 'E' approved for road use.

- Seat belt extender - redSBS227£8.34



Harness kits for road use - 'E' approved

These belts feature 2" webbing with bolt through plate mountings (use with bolts TT7969). Fully adjustable lap and shoulder straps with compact buckle catch. 'E' approved for road use.

- 3 point harness kit - black.SBH628BLACK. .£34.70
- 3 point harness kit - redSBH628RED . .£34.70
- 3 point harness kit - blueSBH628BLUE . .£34.70
- 4 point harness kit - black.SBH629BLACK. .£33.70
- 4 point harness kit - redSBH629RED . .£33.70
- 4 point harness kit - blueSBH629BLUE . .£33.70



These belts feature 2" webbing with clip-in snap hook mountings (use with eye bolts TT7967). Fully adjustable lap and shoulder straps with load spreaders on lap belts and a compact buckle catch. 'E' approved for road use.

- 3 point harness kit - black.SBH605BLACK. .£41.50
- 3 point harness kit - redSBH605RED . .£41.50
- 3 point harness kit - blueSBH605BLUE . .£41.50
- 4 point harness kit - black.SBH655BLACK. .£48.10
- 4 point harness kit - redSBH655RED . .£48.10
- 4 point harness kit - blueSBH655BLUE . .£48.10



Harness kits for competition use - FIA approved

These harnesses feature 3" webbing with clip-in snap hook mountings (use with eye bolts TT7967). Fully adjustable lap and shoulder straps with a turn lever buckle. Approved for International (RAC/MSA/FIA) and National motorsport use. Not 'E' approved for road use.

- 4 point harness kit - black.SBH693BLACK. £124.24
- 4 point harness kit - redSBH693RED . .£124.24
- 4 point harness kit - blueSBH693BLUE . .£124.24
- Crotch strap kit - blackTT79662£20.65
- Crotch strap kit - redTT7966£20.65

Books, manuals & DVDs

Owners handbooks

As supplied with the car from new. These reprints can be essential for day to day maintenance.

MGA 1500	AKD598G	..£11.20
MGA 1600	AKD1172	..£11.20
MGA 1600 MkII	AKD1958G	..£11.20
MGA Twin Cam	AKD879B	...NCA

Factory workshop manuals

Reprints of genuine factory workshop manuals packed with information for all aspects of vehicle maintenance and repairs.

MGA 1500-1600cc	AKD600	...£32.70
MGA Twin Cam	AKD926	...£28.60

Glovebox manual

Handy, compact versions of the genuine manuals for the glove box.

MGA glovebox manual	MGL2001	...£14.20
---------------------------	---------	-----------

Haynes manual

Probably the most commonly found workshop manual in any home garage. The Haynes range provide useful information on stripping and rebuilding anything from a master cylinder to a complete differential assembly.

MGA	MGL2003X	..£25.50
-----------	----------	----------

MGA Special Tuning manual

A reprint of the original publication covering factory developed and proven competition modifications.

MGA Special Tuning manual	AKD819	...£10.20
---------------------------------	--------	-----------

MGA restoration guide

Intended to supplement the factory workshop manual, this book focuses on commonly encountered difficulties when buying and working on all MGA models, including Twin Cam models.

MGA restoration guide - soft cover	MGL0230	...£22.40
--	---------	-----------

MGA Brooklands gold portfolio reprints

Contain in-depth reviews, and many examples of motoring press coverage.

MGA Brooklands Gold portfolio	MGL0005	...£17.50
-------------------------------------	---------	-----------

Haynes carburettor manual

This manual covers SU, Stromberg, Weber and Dellorto carbs. Giving an insight into the way they operate and how to maintain and tune them, as well as detailed overhaul procedures.

Haynes carburettor manual	MGL0279	...£30.30
---------------------------------	---------	-----------

Weber carbs: Tuning tips & techniques, by John Passini

This book is the distillation of many years experience of working with Weber carbs.

The mysteries of why and how they work and the practicalities of getting the best from them. Also setting-up, fault-finding, maintenance & repair are all covered.

Tuning tips & techniques213-431	...£12.20
--------------------------------	----------	-----------

Tuning SU carburettors

This book looks into the basic design of the SU carburettor. It covers many areas including overhaul, tuning mixtures, jet and needle identifications and SU fuel pumps.

Tuning SU carburettors	MGL0070	...£14.20
------------------------------	---------	-----------

SU workshop manual

Factory workshop manual covering both carbs and fuel pumps.

SU workshop manual	GAC1044X	..£20.80
--------------------------	----------	----------

SU needle chart

The chart identifies the correct replacement SU needle when modifications have been carried out to the engine or induction.

SU needle chart	ALT9501	...£12.50
-----------------------	---------	-----------

SU parts catalogue	ALT9524	...£14.70
--------------------------	---------	-----------

MG's Abingdon Factory

The MG story from the men that built the cars. It's a must-have for any MG fan. Copiously illustrated with black & white and colour photos, this 92 page soft bound book lends a personal touch to MG history

MG's Abingdon factory	MGL0091	...£15.30
-----------------------------	---------	-----------

Original series book, by Anders Ditlev Clausager

This book is the definitive guide to one of Britain's best-loved sports cars, the 'Original' series books are indispensable for all owners, restorers, buyers and enthusiasts.

Original series book - MGA	MGL0244	...£28.00
----------------------------------	---------	-----------

SU carburettor rebuild DVD

This 2 hour, 40 minute video explains how to rebuild SU carbs.

SU carburettor rebuild DVD211-036	...£31.65
----------------------------------	----------	-----------

Inside The Octagon DVD

Inside the Octagon. MG 1921-1945, is a fascinating portrait of the pre-war MG Car Company during MG's magic years. 96 minutes.

Inside the Octagon 2. MG 1946-1980, chronicles the MG Car Company from 1946 to 1980 and a decades-long love affair between America and the little sports car. 86 minutes.

Inside the Octagon211-061	...£18.40
--------------------------	----------	-----------

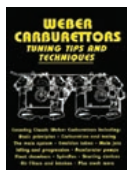
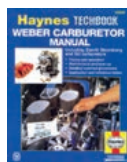
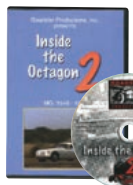
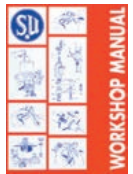
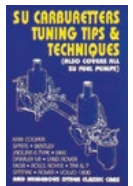
Inside the Octagon 2211-062	...£18.40
----------------------------	----------	-----------

Original Technical Publications Heritage DVD

Original Technical Publications for heritage cars have carefully reproduced a range of DVD's giving owners and enthusiasts easy access to original publications, including parts catalogues, service manuals and owner's literature. Each OTP DVD also includes an 'online access' card containing instructions and the URL to access these publications online as well as on Tablets or handheld devices (Windows PC, Mac iOS or Android). For more details and the full range of DVD's, please see our website.

OTP DVD	HTP2002	...£36.70
---------------	---------	-----------

(MG pre-war models, MG post-war saloons, MGA & T-Type)





Personal heated fleece blanket

The comfy cruise 12 volt heated travel blanket is the ideal travel companion for all weather conditions. Offering both comfort and warmth, its 42" x 58" size is large enough for two people and is perfect for warming one bench seat or two bucket seats at a time. The blanket features an 8 foot long fused cord and automatic temperature control. Made of 100% high quality polyester fleece.

Personal heated blanket 12 volt002-842£27.60



Belt shoulder pads

Easily installed, these shoulder pads add both comfort and flair. Sold as a pair.
Seat belt shoulder pad - red MG logo231-300£21.00



Union flag

Made from lightweight polyester complete with metal grommets on the hoist. Ideal for those continental get-togethers.

Union flag - 36" x 60"GAC9939X . . .£19.90



Embroidered patches

- 1 MG Octagon - small229-500£3.47
- MG Octagon - large229-505£7.66
- 2 British LeylandGAC9960X . . .£4.00
- 3 Union flag229-510£2.50
- 4 BMCGAC9961X . . .£4.00



MG logo earrings

Quality enamelled miniature earrings, with the marque logo make a perfect gift.
MG logo earringsGAC9940X . . .£14.40



T shirt back

BMC service & sales T-shirt

The "retro style" is in fashion so show off your BMC loyalties with this 100% cotton t-shirt that features a logo based on the vintage dealership sign.

- BMC Sales & Service, navy, T shirt - medium . . .013-705£13.60
- BMC Sales & Service, navy, T shirt - large013-706£13.60
- BMC Sales & Service, navy, T shirt - X-large . . .013-707£13.60
- BMC Sales & Service, navy, T shirt - XX-large . .013-708£13.60



M.G.s 'through the ages' poster

Over 25 years ago, British Leyland issued this poster, now a collectors item, from Abingdon announcing the 1981 auction of the MG factory. It depicts over 30 models from 1924 to 1965 with basic specification.

M.G.s 'through the ages' posterMGL4001X . . .£9.50



Workshop apron

Ideal for those messy jobs, like engine building. This apron has adjustable straps and three large pockets.

Workshop apron with MG logoGAC9937X . . .£17.00



Classic flying helmet & goggles

Reproductions of the helmets and flying goggles worn by WWII pilots of the Royal Air Force. The pilot helmets are a premium grade brown leather, with a soft brown cotton lining. Featuring a forehead buckle and strap adjuster to ensure a close fit, opening ear flaps secured with a press stud fastening, and an under-chin strap, secured with a metal buckle.

The motoring helmets are a premium grade brown leather, with a soft brown cotton lining. Built-in peak to shade the sun and neck protector to stop the wind chills, with under-chin strap, secured with a metal buckle. The original RAF specification goggles are made with polycarbonate glass lens, grey/blue enamel frames, brown leather padding and elasticated headband.

- 1 Leather pilot helmet small - brownALCFHL/S£95.00
Leather pilot helmet medium - brownALCFHL/M . . .£95.00
Leather pilot helmet large - brownALCFHL/L . . .£95.00
Leather pilot helmet X-large - brownALCFHL/XL . .£95.00
- 2 Leather motoring helmet small - brown . . .ALCFHLL/S . .£106.00
Leather motoring helmet medium - brown .ALCFHLL/M . .£106.00
Leather motoring helmet large - brown . . .ALCFHLL/L . .£106.00
Leather motoring helmet X-large - brown . .ALCFHLL/XL .£106.00
- 3 RAF vintage goggles MK8ALCGMK8£82.24



Wallets & purses

These stylish wallets & purses are made from supple leather & high quality materials. Available in black or brown leather and embossed with your classic's marque logo, these are a must for any MG enthusiast. Offered in a variety of styles and supplied in a smart presentation box.

- 1 Purse MG logo - brownGAC9821X . . .£29.30
Wallet MG logo - brownGAC9822X . . .£22.90
- 2 Wallet card holder MG logo - brownGAC9824X . . .£22.90
Purse MG logo - blackGAC9825X . . .£29.30
- 3 Wallet MG logo - blackGAC9826X . . .£22.90
Wallet card holder MG logo - blackGAC9828X . . .£22.90



MG logo leather travel cases & bags

Leather travel cases

These classically styled cases are the perfect compliment for any classic MG and are a must have item for touring trips. Also supplied with a smart nylon rain cover, for when the weather isn't on your side. For more details please see our website. Dimensions (approx) Width: 75cm, Height: 18cm, depth: 43cm.

- Sturdy construction
- Corner reinforcement with wear studs
- Combination locks
- Leather closing straps

- Leather travel case - brown MG logoGAC9811X . .£294.30
- Leather travel case - brown no logoGAC9812X . .£294.30
- Leather travel case - black MG logoGAC9813X . .£294.30



Leather travel bags

These new, motorsport inspired travel bags are the ideal accessory for travelling with your MG. They are made from high quality supple leather and are perfect for those short breaks. Dimensions: L=49cm H=28cm W=28cm (bag only).

- Embossed MG logo on bag & zip tags
- Removable shoulder strap with MG logo
- Corner reinforcement with wear studs on base
- Leather handles
- Sturdy construction
- Soft cloth storage bag

- Travel bag - brown MG logoGAC9815X . .£208.00
- Travel bag - black MG logoGAC9816X . .£208.00



Thermal mugs

Our stylish new range of thermal mugs will maintain your drinks temperature whether hot or cold. Desk mugs feature a wider design with handle. Travel mugs are a slimmer design to suit most in-car cup holders. Both types feature a non-slip base and a removable cap.

- 1 Travel mug - MG logo230-856 . . .£12.60
- 2 Travel mug - Union Jack230-946 . . .£12.60
- 3 Desk mug - MG logo230-857 . . .£12.60
- 4 Desk mug - Union Jack230-947 . . .£12.60



MG logo peak cap

These high-quality caps feature a puff embroidered MG Octagon logo. The tan and black caps have a seamed front panel that creates a firm formed appearance, while the white hat has a soft crown for a more rounded soft appearance. All three caps provide a deep low fit that allows them to stay on at high speed, and feature an adjustable Velcro closure. 100% cotton.

- Soft crown, white/navy, MG219-816**£14.80**
- Firm front panel, tan/green, MG219-817**£14.80**
- Firm front panel, black/white, MG219-818**£14.80**



Leather driving gloves

These supple leather driving gloves are available in either black or brown and feature a pressed stud with the MG marque logo. These hand-made gloves include perforated fingers for added ventilation, thin piping around the edges and a stylish exposed back for that vintage look. Supplied in pairs.

Please see our website for help with measuring to find the right size.

- Leather gloves - black with MG logo size 9GAC9850XNCA
- Leather gloves - black with MG logo size 9.5GAC9851XNCA
- Leather gloves - black with MG logo size 10GAC9852XNCA
- Leather gloves - brown with MG logo size 9GAC9850BR ..**£35.00**
- Leather gloves - brown with MG logo size 9.5GAC9851BR ..**£35.00**
- Leather gloves - brown with MG logo size 10GAC9852BR ..NCA



Leather key fobs

Made in England, with a stitched leather fob and a high quality enamelled badge, featuring the various logos.

- 1 Union flagGAC4042**£4.60**
- 2 BMC RosetteCRSP401**£4.60**
- 3 MG - brown/creamGAC4037BRC ..**£6.60**
- 4 MG - black/chromeGAC4037BLC ..**£9.83**
- 5 MG - red/chromeGAC0055**£8.34**
- 6 MG - black/whiteGAC4037BW ..**£4.60**
- 7 MG - red/creamGAC4037RC ..**£4.60**
- 8 MG - embossed blackGAC9840X ..**£10.40**
- 9 MG - embossed tanGAC9841X ..**£10.40**



MG mug

This high quality ceramic mug has been designed for enthusiasts of this classic British Marque. Available in black with a white logo.

- MG Mug
GAC9458**£3.55**



Wine & beer glasses

Enjoy your favourite drink from these glasses bearing the MG logo and 'Safety Fast' script. Perfect for those show picnics and summer evening barbecues.

- Pint glass set MG (set of 4)
230-931**£15.25**
- Wine glass set MG (set of 4)
GAC1056X**£26.50**



MG logo bar stool

Ideal for when you're having a well earned 'cuppa' in the garage. 14" easy clean vinyl seats with 30" high chrome plated legs.

- MG logo bar stool
231-800**£68.00**



Waterproof blanket

These waterproof blankets bring a touch of comfort to any roadside picnic. Neatly folded into a parcel, it can be easily stored and carried with its durable handle. They are manufactured from grey acrylic with a foam layer and waterproof PEVA backing. Size 51" x 70".

- Waterproof blanket, grey, Moss logo
231-370**£24.40**
- Waterproof blanket, grey, MG logo
231-375**£24.40**



Garage signs

High quality multi-coloured screen printed signs, perfect replicas of the originals.

- MG service sign, 12" x 16"
214-320**£24.00**
- BMC dealer sign, 18" x 27"
GAC9929X**£68.50**
- Parking sign with MG logo
GAC8032X**£27.70**



'Street Art' plaque

This plaque gives a modern airbrush look to the MGA. Screen printed on a metal backing and measuring 355mm x 254mm (14" x 10").

- Street Art plaque
214-505**£18.30**



FOR FULL RANGE
visit moss-europe.co.uk



Dynamat heat & sound insulation

We now stock Dynamat, a revolutionary range of products designed to keep your classic cool & quiet.

- Non absorbent materials
- Self adhesive 'peel & stick'
- Easily cut & moulded to fit
- Isolates panel vibration
- Reduces road noise
- Reduces heat soak from engine & exhaust

Dynamat Xtreme

A highly efficient, composite material designed to reduce noise, vibration & heat soak through panel work.

- Dynamat Xtreme - speaker packGAC90511 . . .£15.65
(2 sheets of 254mm x 254mm (10" x 10").
- Dynamat Xtreme - wedge packGAC90512 . . .£31.50
(1 sheet of 457mm x 812mm (18" x 32").
- Dynamat Xtreme - door packGAC90513 . . .£84.50
(4 sheets of 305mm x 914mm (12" x 36").
- Dynamat Xtreme - bulk packGAC90514 . .£210.80
(9 sheets of 457mm x 812mm (18" x 32").

Dynaliner

Dynaliner is an ultra-light weight, durable single layer insulation material that can be used as an alternative to traditional underfelt. It provides acoustic isolation and excellent thermal insulation.

- Dynaliner - 1/8" thickGAC90531 . . .£52.80
(1 sheet of 813mm x 1372mm (32" x 54").
- Dynaliner - 1/4" thickGAC90532 . . .£79.30
(1 sheet of 813mm x 1372mm (32" x 54").
- Dynaliner - 1/2" thickGAC90534 . .£105.35
(1 sheet of 813mm x 1372mm (32" x 54").

Hoodliner

Designed specifically for under bonnet insulation, Hoodliner absorbs engine noise to help keep your car quieter. The aluminised skin creates a water & oil barrier that reflects up to 97% of heat to protect the bonnet's paint.

- HoodlinerGAC90541 . . .£84.50
(1 sheet of 813mm x 1372mm (32" x 54").



Vintage screw jack

Identical to the jack specified as original equipment on many vintage cars.

Safety Note; Once the car has been jacked-up, It is advisable to support the vehicle properly before you start working beneath it.

Screw type jack with handleAHH5124K .£106.60



Tool rolls

Vintage style tool roll

This heavy duty canvas tool roll features top & bottom tool retaining flaps, adjustable leather tool loops and buckle strap

Vintage style tool roll385-910 . . .£49.50



MM647-100

Tool rolls

We offer two styles of small tool roll ideal for your mobile tool kit. Both manufactured from vinyl backed hessian material, with stitched tool pouches and a tie strap. We also offer a larger tool roll manufactured from hardura.

- Tool roll small 8 pouchesACG5247 . . .£33.60
- Tool roll small 9 pouches & flapMM647-100 .£36.70
- Tool roll large 8 pouchesGAC8418X . .£47.20



AHA5506

Jack bags

A jack bag keeps your jack and any associated tools together, also helping to prevent damage to the boot area panel work. Manufactured from hardura and featuring a folding flap and tie straps. Suit most common sizes of scissor jacks.

- Jack bag side flap with tie strapsAHA5506 . . .£35.00
- Jack bag end flap with bucklesAHH6540 . . .£27.80



PERTRONIX ELECTRONIC IGNITION

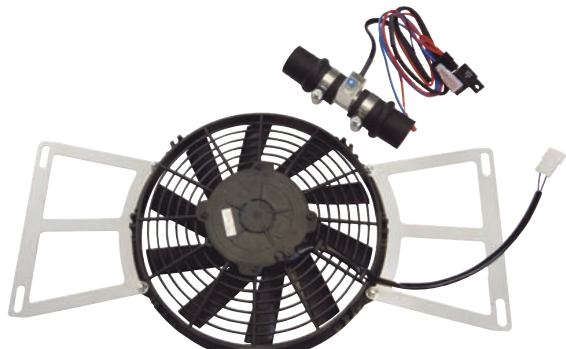
These self contained electronic ignition units offer a simple alternative to traditional points and condenser arrangement.

Designed to fit entirely within the distributor cap, they are easy to install with no external control boxes to mount and only two wires to connect. No permanent modifications are involved. The unit uses a sealed Hall Effect sensor that is impervious to dirt, dust, moisture, or vibration and retains standard advance curve. Unaffected by distributor

shaft wear, maintains firing accuracy to within 1/4°, reduces spark scatter over the full rpm range. One year warranty.



See page A08 for more information



REVOTEC COOLING FAN KITS

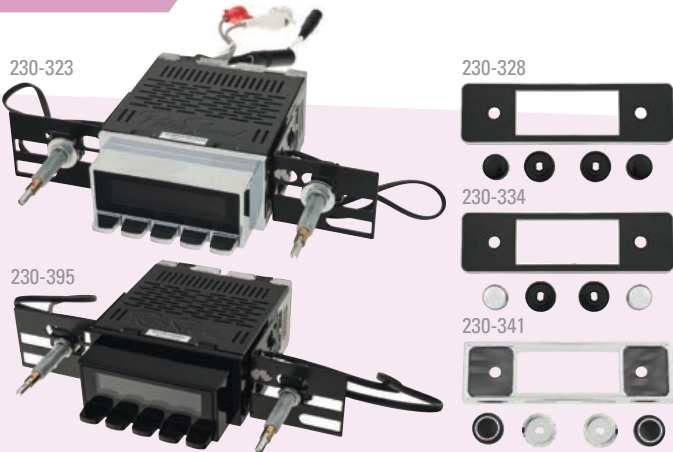
Keeping your engine running at it's optimum temperature will ensure the best performance and economy.

Revotec and Moss Europe have co-designed these high quality bespoke fan kits using the latest high efficiency fans with adjustable electronic controllers. These kits are designed to replace the standard original mechanical fan, reducing the load on the engine, noise and improving both power and mpg.

Unlike other fan kits that use universal mounting systems, these kits fit using bespoke laser cut brackets that mount directly to the radiator cowl using existing mounting bolts.



See page A12 for more information



RetroSound radios

The RetroSound range of radio & MP3 players maintain the original 'twin knob' (DIN-D) style mounting required for many classic cars. Music can be played from external sources such as iPods, USB flash drives & SD cards, all connected out of sight.

Model 2

The stylish new Model 2 range offers a high spec radio that gives that classic look with modern digital music capabilities. The Model 2 features iPod and iPhone charge and play operation as well as Bluetooth connectivity with hands free calls. Also includes a daylight compatible wide angle LCD colour display.

- Rear USB & mini jack inputs.
- RDS FM tuner, AM/FM PLL tuner (30 presets).
- 25W x 4 (RMS) integrated amp.
- Pre-amp RCA output, fade/balance.
- 'InfiniMount' adjustable shaft/bracket system.
- Track, RDS data or clock display.
- Separate amp & aerial leads.
- 2 year manufacturers warranty.

RetroSound Model 2 - chrome230-380 ...**£274.10**
 RetroSound Model 2 - black230-385 ...**£274.10**

Hermosa

The Hermosa radio features Bluetooth connectivity, retro styled buttons, high resolution LCD screen with green/white display & fascia design giving a more classic look to the unit. The Hermosa radio includes many of the same features as the Model 2 radio excluding the iPod and iPhone capabilities.

RetroSound Hermosa - chrome230-390 ...**£220.00**
 RetroSound Hermosa - black230-395 ...**£220.00**

Classic Sound

The Classic Sound is an entry level unit with lower specifications. It features AM/FM radio with a rear mounted auxiliary input to play portable devices.

RetroSound Classic Sound - chrome230-323 ...**£169.60**

Faceplate and knob kits (F&K kits)

For the full range of faceplates and kits, see our website.

F&K kit - all chrome230-326**£24.00**
 F&K kit - all black230-327**£24.00**
 F&K kit - black/chrome230-329**£24.00**



This hide-away amplified aerial can be mounted hidden away, almost anywhere inside the car. Ideal if you don't want to install a wing or roof aerial to keep your classic original.

MRA001 AJM1112X EEP11Z



Fitment: Cars must be negative earth. Units supplied without faceplate or knobs

- F&K kit - black/chrome edge & black230-328**£24.00**
- F&K kit - black/chrome edge & black/chrome230-334**£24.00**
- F&K kit - Becker pinstripe230-341**£24.00**
- Knob set only - chrome230-331**£12.60**
- Knob set only - black230-332**£12.60**

RetroMod speakers by RetroSound

The RetroMod range of speakers from RetroSound has been designed to compliment their range of Classic radios and have been manufactured to meet the demands of modern high performance amplifiers.

Dual voice coils (DVC) speakers

This system allows for 2 stereo channels (left & right) to be connected to the same single speaker. This means that originality can be maintained on cars where a single speaker was fitted in the centre of the dash or rear shelf. These speakers are supplied individually without mesh grilles, to fit existing mountings.

- 6.5" dia 3 way, DVC, no grilles (each)230-505**£52.50**
- 5" x 7" 3 way, DVC, no grilles (each)230-545**£62.80**
- 6" x 9" 3 way, DVC, no grilles (each)230-510**£46.20**

Single voice coils (SVC) speakers

The SVC range of speakers is a standard configuration single channel speaker for normal installations (left & right mounted speakers, such as doors or dash). These speakers are available in a range of sizes and specifications, see our website.

- 3.5" dia 2 way, 20W max, no grilles (pair)230-515**£38.00**
- 4.5" dia 2 way, 40W max, with grilles (pair)230-535**£72.60**
- 4" x 6" 2 way, 80W max, flame bezels (pair)230-525**£43.20**
- 5" x 7" 3 way, 60W max, with grilles (pair)230-540**£71.60**
- 6" x 9" 3 way, 100W max, with grilles (pair)230-530**£67.50**
- 6" x 9" 3 way, 100W max, with grilles (pair)230-531**£133.90**

RetroMod 8" Subwoofer

The compact design and powerful bass response make this ideal for under seat mounting and numerous other in-car applications. The rigid die cast aluminium chassis and powerful Class D amplifier allows this sub to reproduce low frequencies down to 35Hz.

- 8" Subwoofer with internal amplifier230-550**£145.00**

Radio aerials

Our range of aerials offers a variety of fitting options from wing to roof mountings. The wing mount aerial features adjustable bases to compensate for slight angles off horizontal. The roof mounted aerial features a removable stainless steel mast with a chrome base plate. Aerial extension cable is also available.

- Hide-away amplified aerial230-555**£21.00**
- Aerial wing mount manualMRA001**£8.20**
- Aerial wing mount electricAJM1112X**£45.10**
- Aerial roof mountEEP11Z**£12.12**
- Extension lead aerial 3 metreZKCS533**£10.30**

MGA Roadster Identification Data

MODEL	PRODUCTION PERIOD	NUMBERS MANUFACTURED (Chassis No.)
MGA 1500cc	September 1955 to May 1959	10101 to 68,850
MGA Twin Cam	September 1958 to June 1960	501 to 2611
MGA 1600cc	May 1959 to April 1961	68,851 to 100,351
MGA 1600cc MkII	April 1961 to June 1962	100,352 to 109,070

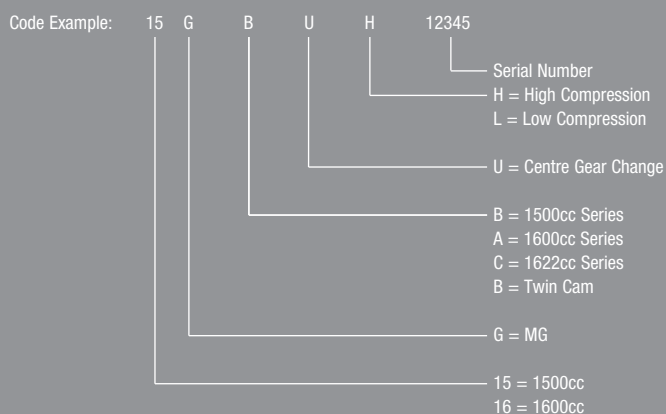
MGA De luxe

The MGA De luxe was built from the remaining Twin Cam chassis that were left over after Twin Cam production had ceased. These cars were numbered along with the 1600cc and 1600cc MkII chassis numbers, and the actual production numbers of them are generally believed to be 82 '1600cc' models and 313 '1600cc MkII' models, a total of 395 vehicles.

MGA Engine Serial Number Data

To identify MGA engines from their serial numbers, the following table should be used. Note: The early 1500cc engines had the serial numbers prefixed by BP.

Code Example: 15 GB/U/H 12345



MGA 1500cc Chassis Numbers

Chassis numbers for the 1500cc are loaded with information about the car. For example: HDA 13 10101 tells us that the car is an MGA, two seater, painted in black cellulose for the RHD home market. Use the following chart to decode your chassis number.

If your chassis ID plate is missing, the actual chassis number is stamped on the cross member directly in front of the righthand seat. The red and black 'Auster' nameplate is fitted on all Roadsters on the centre of the lower windscreen frame rail.

Example:

H	D	A	1	3	10101
MGA	2 Seats	Black	RHD Home	Cellulose	Car No.
1st Letter	2nd Letter	3rd Letter	1st Number	2nd Number	
Make	Model	Colour	Market	Paint Type	
H MGA	D Tourer M Coupé	A Black D Mineral Blue E Island Green H CKD Finish K Orient Red L Glacier Blue R Old English White T Ash Green U Tyrolite Green	1 RHD Home 2 RHD Export 3 LHD 4 North America 5 CKD RHD 6 CKD LHD	1 Synthetic 2 Synthetic 3 Cellulose 4 Metallic 5 Primed 6 Cellulose Body & Synthetic Wings	

MGA 1600cc, 1600cc MkII Chassis Numbers

These cars did not provide as much information in their chassis numbers as did the previous models. There are, however, three pieces of information can be extracted from the chassis number to identify whether the car is a Tourer or Coupé, RHD or LHD and finally whether the car is a MkII.

G	H	D	L	2	103779
MGA	1600cc	Coupé	LHD	MkII	Car No.
1st Letter	2nd Letter	3rd Letter	4th Letter	5th Prefix	6th Number
G MGA	H 1400cc - 1900cc	N Tourer D Coupé	Blank RHD L LHD	Blank 1600cc 2 1600cc MkII	Car No.

MGA Twin Cam Chassis Numbers

Chassis numbers for the Twin Cam are very different to those used on the 1500cc. Use the following chart to decode your chassis number:

YD1	RHD	Home Market Tourer
YD2	RHD	Export Market Tourer
YD3	LHD	Export Market Tourer
YM1	RHD	Home Market Coupé
YM2	RHD	Export Market Coupé
YM3	LHD	Export Market Coupé

Example: YD1-501 is a RHD Home Market Tourer

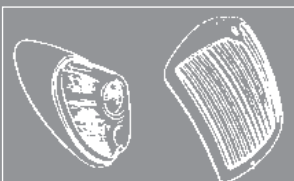
There were some other chassis number prefixes, but these were used on CKD exported cars for final assembly overseas, Example YDH5-929

Identifying the MGA

There are only five variations of the MGA.

The 1500cc, 1600cc, MkII, Twin Cam and 1600cc MkII De luxe. The Coupés were a variation of the Roadster and were not differentiated by the factory numbering system as to body style. The Twin Cam, a major undertaking at the time of its introduction, was identified separately while the De luxe, the most elusive of MGA models, was not distinctly identified. There are reliable production figures for all models except the De luxe.

The three major MGA models may be readily identified by their tail-lamp and grille configurations as well as their engine displacement.



The 1500cc style tail lamps were common to many British cars of the period. The 1500cc style grille has slats that are set flush with the back of the shell.

A 1500cc will have the familiar single Lucas tail lamp, the flush style grille and no shroud or boot lid emblems. Four-wheel drum brakes were fitted to this model only.

Very early 1500ccs had different style gauge faces, an example of which can be found in the factory service manual and drivers handbook illustrations.

The door rails on the first few cars were entirely of wood as were the cockpit rear corners. There are few of these seen today. The 1500's did not have the starter hump on the passenger toe board or the windscreen mounted hood clamp. The turn indicators were switched through a relay.

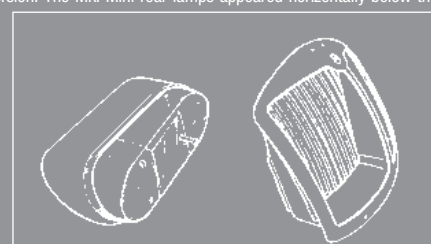
A 1600cc is differentiated by the dual rear lamp with separate turn lamps, larger round parking lamps with flat lenses and a '1600cc' marker on the cowl and rear boot lid. Disc brakes on the front greatly improved stopping power. The starter position was moved with the resulting hump on the passenger toe board.



Front parking lamp lenses became 'flat' and a separate indicator lamp was added. The front grille on 1600cc models is identical to the 1500cc grille.

The 1600cc MkII received the closest thing to a face lift an MGA ever got. The famous flat grille was replaced with the 'pre-crushed' version. The MkII Mini rear lamps appeared horizontally below the boot lid and the vinyl covered dash and cowl and 1600cc MkII badges were added. The chrome trim and dash escutcheon from the Coupé finished off the dash. Seat belt anchors were added to the chassis. 1600cc MkII De luxe cars used the Twin Cam chassis with the push rod 1622cc engine.

Check all parts carefully, as MGA's have not always enjoyed the respect they do now, and parts have been freely exchanged with little regard for originality. When re-wiring your car, be sure to order the loom that fits your body type, not engine type.



Horizontal rear lamps replaced the earlier vertical style rear lamps. The 1600cc MkII grille is very similar to the earlier version but has recessed slats.

MGA Serial Numbers



The engine number is stamped on a plate secured to the righthand side of the cylinder block...



The car number is stamped on a plate secured to the top lefthand side of the dash panel.



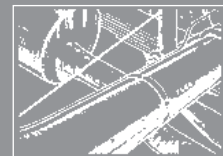
The gearbox number is stamped on the top of the gearbox casing adjacent to the dipstick.



...or it is stamped on a plate secured to the rear of the engine behind the cylinder block. (Twin Cam)



The body number is stamped on a plate secured to the bulkhead between the righthand bonnet hinge and the fuse block.



The rear axle No is stamped on the front of the axle tube on the LH side next to the spring seat.

These pages list only the major items in each area, such as body work, electrical and brake components. In many cases minor fittings, clamps and linkages etc, are not shown.

Key:

Page numbers in brackets after TC or TC/DL, for example: (TC/DL 100), refer to parts that are specific to the Twin cam (TC) and/or (DL) De luxe models.

Note: This is not an exhaustive list, if you cannot locate the parts you need please contact your nearest Moss branch.

A

Accelerator Cable	Page 17
Accelerator Pedal	Page 17
Accelerator Pedal (TC)	Page 59
Aeroscreens	Accessories
Air Filters	Pages 17 & Accessories
Air Filters (TC)	Page 53 & Accessories
Air Vent/Intake Grille	Page 45
Anti-Roll Bar Handling Kits	Accessories
Ashtray	Page 45

B

Badge, 'Twin Cam'	Page 63
Badges, (Front Of Body)	Page 45
Badges, (Rear Of Body)	Page 46
Battery	Page 28
Battery Bracket Assembly	Page 28
Battery Cables	Page 28
Battery Cover	Page 28
Battery Cradle Assembly	Page 28
Bearing Set, Camshaft	Page 07
Bearing Set, Camshaft (TC)	Page 52
Bearing Set, Con Rod	Page 06
Bearing Set, Con Rod (TC)	Page 52
Bearing Set, Main	Page 06
Bearing Set, Main (TC)	Page 52
Bearings, Rear Axle	Page 27
Bearings, Rear Axle (TC/DL)	Page 62
Block, (Cyl.), (Top Surface Tip)	Page 07
Body Panels	Page 40
Body Panels (TC)	Page 63
Body panels, (About Our Body Panels)	Page 40
Body Rubbers & Sets	Page 47
Body Shells, (New & Reconditioned)	Page 41
Bonnet	Page 40
Bonnet Buffers	Page 45
Boot Lid	Page 40
Boot Lock	Page 46
Boot Seal	Page 46
Brake Adjuster, (Front & Rear)	Page 21
Brake Caliper, (Front)	Page 21
Brake Caliper, (Front) (TC/DL)	Page 61
Brake Caliper, (Rear) (TC/DL)	Page 61
Brake Disc/Pads, (Front)	Page 21
Brake Disc/Pads, (Front) (TC/DL)	Page 61
Brake Disc/Pads, (Rear) (TC/DL)	Page 61
Brake Drum, (Front)	Page 21
Brake Drum, (Rear)	Page 21
Brake/Clutch Fluids	Page 20
Brake Hoses	Page 22
Brake Conversion Kit	Page 21
Brake Master Cylinder	Page 20
Brake Master Cylinder (TC/DL)	Page 60
Brake Pad Set, (Front)	Page 21
Brake Pad Set, (Front) (TC/DL)	Page 61
Brake Pad Set, (Rear) (TC/DL)	Page 61
Brake Pipes & Fittings	Page 22
Brake Pipes & Fittings (TC/DL)	Page 60
Brake Back Plate, (Drum)	Page 21
Brake Shoes	Page 21
Brake Wheel Cylinder	Page 21
Brake Wheel Cylinder Repair Kit	Page 21
Bulb, Headlamp	Page 32
Bulb, Indicator	Page 33
Bulb, Instrument	Page 34
Bulb, Number Plate	Page 33
Bulb, Side Lamp	Page 33
Bulb, Tail	Page 32
Bulkhead Assembly	Page 40

Bulkhead Assembly (TC)	Page 63
Bumper, Front	Page 44
Bumper Fittings, Front	Page 44
Bumper Fittings, Rear	Page 46
Bumper, Rear	Page 46
Bushes, Front Suspension	Page 25
Bushes, Rear Suspension	Page 26

C

Camshaft	Page 06
Camshaft Bearings	Page 06
Camshaft Bearings (TC)	Page 52
Camshaft Follower	Page 06
Camshaft Follower (TC)	Page 52
Car Covers	Accessories
Carburettor Choke Adjustment SU	Page 15
Carburettor Complete Rebuild	Page 15
Carburettor Components	Page 14
Carburettor Components (TC)	Page 58
Carburettor Rebuild Kits	Page 15
Carburettor Tools	Page 14
Carburettors	Page 14
Carburettors (TC)	Page 58
Carpet Kits	Page 37
Carpet Fittings	Page 37
Chassis Assembly	Page 39
Chassis Condition	Page 39
Chassis ID Numbers	Page 01
Chassis Plate	Page 49
Choke Cable	Page 17
Choke Cable (TC)	Page 59
Clutch/Brake Fluids	Page 10
Clutch Cover	Page 11
Clutch Cover (TC)	Page 56
Clutch Drive Kit	Page 11
Clutch Master Cylinder	Page 11
Clutch Master Cylinder (TC/DL)	Page 56
Clutch Pipes	Page 11
Clutch Pipes (TC/DL)	Page 56
Clutch Plate	Page 11
Clutch Plate (TC/DL)	Page 56
Clutch Problem Tips	Page 11
Clutch Release Bearing	Page 11
Clutch Release Bearing (TC/DL)	Page 56
Clutch Release Lever	Page 11
Clutch Slave Cylinder	Page 11
Clutch Slave Cylinder (TC/DL)	Page 56
Clutch Slave Cyl. Repair Kit	Page 11
Clutch Slave Cyl. Repair Kit (TC/DL)	Page 56
Cockpit Fittings	Page 38
Cockpit Trim Kits	Page 38
Condenser	Page 30
Condenser (TC/DL)	Page 63
Connecting Rods	Page 06
Connectors, Electrical	Page 31
Contact Breakers	Page 30
Contact Breakers (TC/DL)	Page 63
Crankshaft	Page 06
Crown Wheel & Pinion	Page 27
Crown Wheel & Pinion (TC/DL)	Page 62
Cylinder Head Inspection	Page 09
Cylinder Head	Page 08
Cylinder Head (TC)	Page 53
Cylinder Liners	Page 07

D

Dash Knob Set	Page 29
Dash, (Under Dash Pad Set)	Page 38
Dash Panel	Page 34
DashPot Covers, (SU Carbs)	Accessories
Decals	Page 49
Demister Tubes	Page 36
Demister Tubes (TC)	Page 55
Differential	Page 27
Differential (TC/DL)	Page 62
Dipstick, Engine	Page 04
Dipstick, Engine (TC)	Page 50
Dipstick, Gearbox	Page 12
Distributor	Page 30
Distributor Cap	Page 30
Distributor Cap (TC/DL)	Page 63
Distributor/Oil Pump Drive	Page 07
Distributor Drive Gear	Page 30
Door Fittings, (Coupé)	Page 43
Door Fittings, (Roadster)	Page 42
Door Glass, (Coupé)	Page 43

Door Handle, (Coupé)	Page 43
Door Hinges	Page 42
Door Latch	Page 42
Door Locks, (Coupé)	Page 43
Door Pillars	Page 40
Door Seal	Page 38
Door Skins, (Roadster & Coupé)	Page 41
Door Strikers, (Coupé)	Page 43
Door Strikers, (Roadster)	Page 42
Dynamo	Page 28
Dynamo Mountings	Page 28
Dynamo Mountings (TC)	Page 50
Dynamo Polarisation	Page 28
Dynamo Pulley	Page 28
Dynamo Pulley (TC)	Page 50

E

Electrical Trouble Shooting	Page 31
Engine Controls	Page 17
Engine Controls (TC)	Page 59
Engine Lock Tab Set	Page 07
Engine Mountings	Page 04
Engine Mountings (TC)	Page 50
Engine ID/No. Plates	Page 49
Engine ID Numbers	Page 01
Engine 'Tech Tips'	Page 05
Exhaust System	Page 18
Exhaust System (TC)	Page 59
Exhaust Manifold, 'Sports'	Page 18 & Acc.
Exhaust Manifold, (Standard)	Page 18
Exhaust Manifold, (Standard) (TC)	Page 53

F

Fan Belt	Page 10
Fan Belt (TC)	Page 54
Fan Belt, Over Tightening	Page 10
Fan, Kenlowe, Electric	Accessories
Flasher Unit	Page 29
Float, (Carburettor)	Page 14
Float, (Carburettor) (TC)	Page 58
Float Needle & Seats	Page 14
Float Needle & Seats (TC)	Page 58
Floor Panels, (Boot)	Page 40
Floor Mats, Rubber	Pages 37 & Accessories
Floorboard Set	Page 39
Flywheel	Page 07
Flywheel Bolts	Page 07
Fog Lamps	Accessories
Fuel Cap	Page 16
Fuel Cap (TC)	Page 57
Fuel Gauge	Page 34
Fuel Pipes	Page 16
Fuel Pipes (TC)	Page 57
Fuel Pump Assembly	Page 16
Fuel Pump Assembly (TC)	Page 57
Fuel Pump Mounting Kit	Page 16
Fuel Pump Problems	Page 16
Fuel Sender Unit	Page 16
Fuel Sender Unit (TC)	Page 57
Fuel Tank	Page 16
Fuel Tank (TC)	Page 57
Fuse Box & Fuses	Page 29

G

Gasket Set, Cylinder Head	Page 08
Gasket Set, Cylinder Head (TC)	Page 53
Gasket Set, Bottom End	Page 05
Gasket Set, Bottom End (TC)	Page 50
Gasket(s), Manifold(s)	Page 08
Gasket(s), Manifold(s) (TC)	Page 53
Gauges	Pages 34 & Accessories
Gear Lever	Page 12
Gear Lever Gaiter	Page 12
Gear Lever Knob	Page 12
Gear Set, Close Ratio	Page 13
Gear, Speedo Drive	Page 13
Gearbox	Page 12
Gearbox (TC/DL)	Page 56
Gearbox Fittings	Page 12
Gearbox Gasket Set	Page 12
Gearbox Mainshaft	Page 12
Gearbox Mountings	Page 12
Gearbox Mountings (TC)	Page 50
Gearbox Technical Tips	Page 13
Grille, (Front)	Page 44

Grille Fittings	Page 44
Grille, Air Intake/Vent	Page 45

H

HT Lead/Set	Page 30
HT Lead/Set (TC)	Page 63
Half Shafts	Page 27
Half Shafts (TC/DL)	Page 62
Handbrake	Page 23
Handbrake Cable	Page 23
Handbrake Cable (TC/DL)	Page 60
Handbrake Components	Page 23
Handbrake Pad Set (TC/DL)	Page 60
Header Tank (TC)	Page 54
Headlamp Assemblies	Pages 32 & Accessories
Headlamp Rim	Page 32
Headliner Kit, Coupé	Page 43
Heat Shield	Page 17
Heat Shield (TC)	Page 50
Heater	Page 36
Heater (TC)	Page 55
Heater Control Cables	Page 36
Heater Control Cables (TC)	Page 55
Heater Hoses	Page 36
Heater Hoses (TC)	Page 55
Heater Matrix	Page 36
Heater Matrix (TC)	Page 55
Heater Motor	Page 36
Heater Motor (TC)	Page 55
Heater Switch/Lever	Page 36
Hinge, Bonnet	Page 45
Hinges, Boot	Page 46
Hood Frame	Page 48
Hood	Page 48
Horn & Fittings	Page 29
Horn Push	Page 29
Hub Cap	Page 19
Hub, Front	Page 25
Hub, Rear	Page 27

I

Identification Plates	Page 49
Ignition Coil	Page 30
Ignition Coil (TC/DL)	Page 63
Ignition Coil Reversed Polarity	Page 30
Ignition Systems, Electronic	Accessories
Installing The Cylinder Head	Page 09
Instruments	Pages 34

J

Jack	Page 19
Jet Assembly, (SU Carb)	Page 14
Jet Assembly, (SU Carb) (TC)	Page 58
Jets: Grose, Precision	Accessories

K

Knock-Off Hammer	Page 19 & Accessories
Knock-Offs, (Spinners)	Page 19 & Accessories

L

Lamp, Problems	Page 32
Lamp, (Map), Dashboard	Pages 29 & 35
Lamp, Indicators, (Front/Rear)	Page 33
Lamp, Number Plate	Page 33
Lamp, Side Assembly	Page 33
Lamp, Tail Assembly	Page 33

M

Main Bearing Cap Tech Tip	Page 05
Main Bearing Clearance Tech Tip	Page 07
Manifold, Exhaust	Page 18
Manifold, Exhaust 'Sports'	Page 18 & Acc.
Manifold Exhaust, (Standard)	Page 18
Manifold Exhaust, (Standard) (TC)	Page 53
Manifold, Inlet	Page 17
MGA Painting Sub-Assemblies	Page 47
MGA, Identifying	Page 01
Mirror, Dash Mounted	Page 45
Mirror, Racing Style	Accessories
Mirror, Wing	Page 45 & Accessories
Mountings, Engine	Page 04
Mountings, Engine (TC)	Page 50

N

Needles, (Carbs)	Page 14
Needles, (Carbs) (TC)	Page 58
Nut, Cylinder Head	Page 04
Nut, Cylinder Head (TC)	Page 53

O

Oil Cooler & Fittings	Page 04
Oil Cooler & Fittings (TC)	Page 51
Oil Cooler Kit .. Pages 04 & 51 & Accessories	
Oil Filter Assy. & Components	Page 05
Oil Filter Assy. & Components (TC)	Page 51
Oil Filter Conversion Kit	Accessories
Oil Pressure Gauge	Page 34
Oil Pressure Gauge Pipe	Page 34
Oil Pressure Gauge Pipe (TC/DL)	Page 63
Oil Pressure Release Valve	Page 04
Oil Pressure Release Valve (TC)	Page 51
Oil Pressure Spring/Valve Unit	Page 04
Oil Pump	Page 06
Oil Pump (TC)	Page 51
Oil Radiator	Page 04
Oil Radiator (TC)	Page 51
Oil Seals, Rear Axle	Page 27
Oil Seals, Rear Axle (TC/DL)	Page 62
Override, Front	Page 44
Override, Rear	Page 46

P

Paint, (Body/Classic)	Page IBC
Painting MGA Sub-Assemblies	Page 47
Pedal Box & Fittings (TC/DL)	Page 60
Pillar, 'A' Post	Page 40
Pillar, 'B' Post	Page 41
Piston, Brake Caliper	Page 21
Piston Ring Sets	Page 07
Piston Sets	Page 06
Piston Sets (TC)	Page 52
Production Data	Page 01
Propshaft & Fittings	Page 26
Pulley, Crankshaft	Page 05
Pulley, Crankshaft (TC)	Page 50
Pulley, Dynamo	Page 28
Pulley, Dynamo (TC)	Page 50
Pushrods	Page 07

R

Radiator	Page 10
Radiator (TC)	Page 54
Radiator Cap	Page 10
Radiator Cap (TC)	Page 54
Radiator Duct	Page 41
Radiator Hoses	Page 10
Radiator Hoses (TC)	Page 55
Radio Blanking Plate	Page 34
Rear Axle & Halfshafts	Page 27
Rear Axle & Halfshafts (TC/DL)	Page 62
Rear Axle Differential	Page 27
Rear Axle Differential (TC/DL)	Page 62
Relay Unit, Indicator	Page 29
Release, (Clutch), Bearing	Page 11
Release, (Clutch), Bearing (TC/DL)	Page 56
Ring Gear, (Flywheel)	Page 07
Ring Gear, (Flywheel) (TC)	Page 52
Rocker Arm Components	Page 08
Rocker Box Cover	Page 08
Rocker Gear Assembly	Page 08
Rocker Shaft	Page 08
Rocker Studs	Page 08
Rotor Arm	Page 30
Rotor Arm (TC/DL)	Page 63

S

Safety Catch, Bonnet	Page 45
Seat Belts .. Pages 37 & Accessories	
Seat Components	Page 37
Seat Kits	Page 37
Sender Unit	Page 16
Sender Unit (TC)	Page 57
Serial Numbers	Page 01
Shock Abs. Conversion Kit, (Tube)	Page 26
Shock Absorber, (Front)	Page 25
Shock Absorber, (Rear)	Page 26

Side, (Cylinder Block), Covers	Page 04
Side, (Cylinder Block), Covers (TC)	Pages 52
Side Curtain Set .. Pages 49 & Accessories	
Side Curtain Stowage Bags	Page 38
Silicone Brake Fluid .. Pages 20 & Acc.	
Sill Assemblies	Page 40
Spark Plug	Page 30
Spark Plug (TC)	Page 63
Speedo Drive Gear	Page 13
Speedometer	Page 34
Speedometer Cable	Page 34
Splash Plates	Page 41
Spoke Spanner .. Pages 19 & Accessories	
Spokes, (Wire Wheels)	Page 19
Spot Lamps	Accessories
Spring, Front, Coil	Page 25
Spring, Front, Coil (TC/DL)	Page 62
Spring, Rear, Leaf	Page 26
Sprocket, Camshaft	Page 07
Sprocket, Crankshaft	Page 06
Sprocket, Crankshaft (TC)	Page 52
Starter	Page 28
Starter Cable	Page 28
Starter Cable (TC)	Page 63
Starting Handle	Page 19
Steering Bushes .. Pages 24 & 25	
Steering Column	Page 24
Steering Column (TC/DL)	Page 62
Steering Gaiters	Page 24
Steering Joints .. Pages 24 & 25	
Steering Levers	Page 25
Steering Rack	Page 24
Steering Rack (TC)	Page 62
Steering UJ	Page 24
Steering Wheel .. Pages 25 & Accessories	
Stud, Cylinder Head	Page 04
Stud, Cylinder Head (TC)	Page 50
Stud, Exhaust Manifold .. Pages 08 & 18	
Stud, Exhaust Manifold (TC)	Page 52
Sump	Page 04
Sump (TC)	Page 50
Sun visors	Page 43
Suspension Overhaul Kits	Page 25
Suspension Rebuild Tips, (Front)	Page 24
Switch Knobs .. Pages 29 & 35	
Switch, Headlight .. Pages 29 & 35	
Switch, Ignition .. Pages 29 & 35	
Switch, Indicator .. Pages 29 & 35	
Switch, Map Light .. Pages 29 & 35	
Switch, Starter .. Pages 29 & 35	
Switch, Wiper .. Pages 29 & 35	
Switches, (General) .. Pages 29 & 35	
Swivel, (King), Pin	Page 25

T

Tachometer	Page 34
Tachometer Cable	Page 34
Tachometer Drive Gear	Page 06
Tappet, (Cam Follower)	Page 06
Tappet, (Cam Follower) (TC)	Page 53
Tappet Cover, (OHV)	Page 04
Thermostat .. Pages 08 & 10	
Thermostat (TC)	Page 55
Thermostat Cover .. Pages 08 & 10	
Thermostat Cover (TC)	Page 55
Tie Rod End	Page 24
Timing Chain	Page 06
Timing Chain Cover	Page 04
Timing Chain Tensioner	Page 06
Tonneau Cover .. Pages 48 & Accessories	
Tonneau Cover Fittings	Page 48
Tools, Wheel .. Pages 19 & Accessories	
Trim Kits	Page 38
Tyre Cover	Page 43
Tyre Levers	Page 19
Tyre Pump	Page 19

U

Universal Joint, Propshaft	Page 26
Universal Joint, Steering	Page 24

V

Vacuum Advance Pipe	Page 30
Vacuum Advance Unit	Page 30
Valance, Front	Page 41

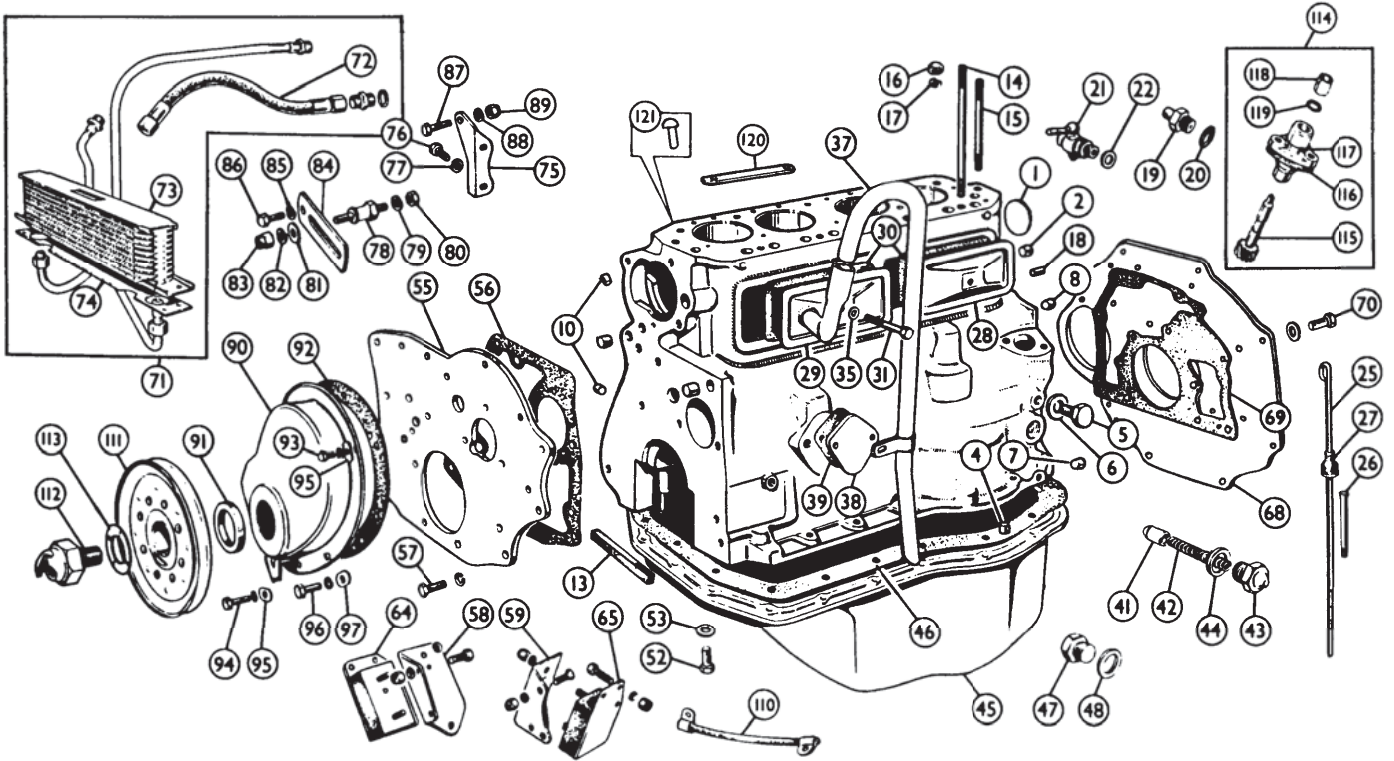
Valve Guide Installation	Page 07
Valve Guides	Page 08
Valve Guides (TC)	Page 53
Valve, Exhaust	Page 08
Valve, Exhaust (TC)	Page 53
Valve, Inlet	Page 08
Valve, Inlet (TC)	Page 53
Valves, (Exhaust), Stellite-Faced	Page 08

W

Washer Bottle	Page 31
Washer Foot Valve	Page 31
Washer Jet Assembly	Page 31
Water Pump	Page 10
Water Pump (TC)	Page 54
Water Pump Pulley	Page 10
Water Pump Pulley (TC)	Page 54
Water Temp. & Oil Pressure Gauge	Page 34
Wheel Arch, (Rear) .. Pages 40 & 41	
Wheel Care/Balancing	Page 19
Wheel Cover, Spare	Page 43
Wheel Cylinder, (Front/Rear)	Page 21
Wheel Spanner	Page 19
Wheel Spinners, (Wire) .. Pages 19 & Accessories	
Wheels, Wire .. Pages 19 & Accessories	
Wheels, Steel	Page 19
Wheels, Steel (TC/DL)	Page 62
Wheels, Alloy	Page 19 & Accessories
Wind Wings	Accessories
Windows, (Door), (Coupé)	Page 43
Windscreen, Installation Tip	Page 42
Windscreen, (Coupé)	Page 43
Windscreen, (Roadster)	Page 42
Wing Covers	Accessories
Wing Piping	Page 45
Wings, Front .. Pages 40 & 41	
Wings, Rear .. Pages 40 & 41	
Wiper Arm	Page 31
Wiper Blade	Page 31
Wiper Drive Cable	Page 31
Wiper Motor	Page 31
Wiper Motor Mounting Kit	Page 31
Wire Wheel Brush .. Page 19 & Accessories	
Wiring Looms	Page 31
Wiring Looms (TC/DL)	Page 63
Wishbones, (Front Suspension)	Page 25

Twin Cam (& De luxe) Models Supplement

External Engine & Cylinder Block	
Fittings	Page 50
Engine & Dynamo Mountings	Page 50
Oil Cooler, Oil Pump & Filter	Page 51
Internal Engine	Page 52
Crankshaft & Con Rods	Page 52
Pistons & Flywheel	Page 52
Camshafts & Timing Gear	Page 52
Cylinder Head & Manifolds	Page 53
Cooling & Heating	Page 54
Radiator, Water Pump, Fan & Hoses	Page 54
Thermostat, Water Pipes	Page 55
Heater & Demister	Page 55
Clutch & Gearbox	Page 56
Fuel System	Page 57
Fuel Tank, Pump & Fittings	Page 57
Carburettors & Components	Page 58
Engine Controls	Page 59
Exhaust System	Page 59
Brake System	Page 60
Brake Hydraulic System	
(Master Cyl./Pipes)	Page 60
Handbrake Cable	Page 60
Front & Rear Brakes	Page 61
Steering & Front Suspension	Page 62
Rear Axle, (& Road Wheels)	Page 62
Road Wheels	Page 62
Ignition System	Page 63
Wiring Harness, (Looms)	Page 63
Instruments, (Oil Pressure Gauge)	Page 63
Body/Badges	Page 63



iii. Part Number Price £ea. Description Req. Details

External Engine Units & Cylinder Block Components

Engine Units

Our Lead Free Full Engines are rebuilt by a major UK engine reconditioner, they are assembled ready to accept ancillaries. Contact your nearest Moss branch for further details.

48G362E	£1,892.00	FULL ENGINE, (lead free), exchange	1	1500cc
48G157LF	£1,892.00	FULL ENGINE, (lead free), exchange	1	1600cc
48G214LF	£1,892.00	FULL ENGINE, (lead free), exchange	1	1622cc
1 2K8169	£0.80	CORE PLUG	4	
2 12H1735	£3.70	PLUG, oil gallery	1	1500cc, 1600cc 1622cc To (e) 16GC2326 1622cc From (e) 16GC2327
4 12H1736	NCA	PLUG, crankcase oil hole	2	
5 53K2853	£6.00	PLUG, transverse oil hole	1	threaded
6 6K638	£0.22	WASHER, for above plug	1	
7 6K899	NCA	PLUG, below oil relief valve	2	
8 12G3503	£1.80	PLUG, oil gallery	3	
10 11G14	£1.60	PLUG	2	chain tensioner oil feed & oil filter boss
13 12H1638	£1.75	CORK SEAL, main bearing cap	2	
14 51K281	£3.70	STUD, long, 6 1/4"	4	cylinder head
15 51K282	£2.80	STUD, short, 4 1/2"	7	
16 51K1193	£1.00	NUT, cylinder head	11	
17 12H2178	£0.25	WASHER, plain	11	
18 1K51	NCA	PIN, gearbox plate to block	2	
19 11G15	£8.71	UNION, oil gauge pipe	1	
20 6K638	£0.22	WASHER, oil gauge union	1	
21 3H576	£18.00	TAP, water drain	1	
22 2K4975	£0.29	WASHER, drain tap	a/r	alternatives
ARH517	£0.22	WASHER, drain tap	a/r	
25 11G64	NCA	DIPSTICK, straight	1	1500cc, 1600cc To (e) 16GA/H9648
12H74	£23.50	DIPSTICK, angled	1	1600cc, 1622cc From (e) 16GA/H9649

Note: The early straight dipstick (Part No: 11G64) is no longer available. Use the later angled type.

iii. Part Number Price £ea. Description Req. Details

296-377	£15.10	GASKET, tappet cover, silicone, pair	1	
31 BH605141	£0.86	BOLT, tappet cover	2	
35 2K4958	£0.19	WASHER, fibre	2	
37 1H774	NCA	BREATHER PIPE, straight*	1	To (e) GB35808
1H871	£22.95	BREATHER PIPE, curved*	1	From (e) GB35809
38 2A265	£4.06	BLANKING PLATE, fuel pump	1	
2A265K	£6.50	BLANKING PLATE KIT, fuel pump (inc blanking plate, gasket & hardware).	1	To (e) GB51767
39 12H1317	NCA	GASKET, blanking plate	1	
41 12H865	£3.76	VALVE, oil pressure release	1	
42 1H756	£1.24	SPRING, release valve	1	
43 12A1851	£2.60	CAP NUT, release valve	1	
44 6K431B	£0.60	WASHER, cap nut	2	
45 12H395	NCA	SUMP	1	
46 AJM503	£2.00	GASKET, sump	1	
47 88G257	£1.60	PLUG, sump	1	
48 6K638	£0.22	WASHER, drain plug	1	
52 SH604041	£0.19	SCREW, sump to block	19	
53 GHF321	£0.12	WASHER, locking	19	
55 12H1387	NCA	PLATE, front engine mounting	1	From (e) 15GB259
56 12H1576	£1.10	GASKET, front plate	1	
57 GHF120	£0.19	BOLT, front plate	5/3	qty. reduced at (e) 5GB259
58 AHH5065	£12.50	BRACKET, engine mounting, RH	1	
59 AHH5066	£12.50	BRACKET, engine mounting, LH	1	
64 BHH1351	£5.80	MOUNTING, RH	1	1500cc, 1600cc, 1622cc
AHH5833	£10.30	MOUNTING, RH	1	MkI De luxe
65 BHH1352	£5.80	MOUNTING, LH	1	all models
68 1H770	NCA	PLATE, gearbox to engine	1	1500cc with (e) GB prefix
1H821	NCA	PLATE, gearbox to engine	1	1500cc with (e) GD prefix, 1600cc, 1622cc
69 12H768	£1.85	GASKET, gearbox plate	1	
70 SH606061	£0.50	SCREW, gearbox plate	8	
GHF120	£0.19	SCREW, gearbox plate	4	
71 8G2282	£300.70	OIL COOLER KIT, original type*	1	standard equipment
72 AHH6296	£29.30	HOSE	2	US market only from
73 ARA221	£38.00	OIL RADIATOR, (13 row)	1	1622cc (c) 102736
74 AHH5902	£3.40	GASKET, oil cooler to duct panel	1	

*Note: Some early cars used a straight breather pipe (part no. 1H774) along with a different front inspection cover. As these early covers are no longer available, we suggest using cover (12H950) and the curved breather pipe (1H871).

*Note: This original type oil cooler kit includes pre-bent rigid steel pipes in addition to parts listed, and requires that holes be punched in the radiator duct panel to accommodate these pipes.

ill.	Part Number	Price £ea.	Description	Req.	Details
	TT10765	£50.70	INSTALLATION KIT, oil cooler	1	accessory type
	AHH8192	£16.00	OIL HOSE	2	
	ARA221	£38.00	OIL COOLER, 13 row	1	
	ARO9875	£85.00	OIL COOLER, 16 row, heavy duty	1	
75	12A526	£17.80	BRACKET, dynamo mounting	1	
76	GHF120	£0.19	BOLT	2	
77	GHF332	£0.19	WASHER, locking	2	
78	2A128	£6.30	PILLAR, adjusting link	1	
79	GHF333	£0.19	WASHER, locking	1	
80	GHF202	£0.12	NUT	1	
81	GHF302	£0.30	WASHER, plain	1	
82	GHF333	£0.19	WASHER, locking	1	
83	GHF223	£0.40	NUT, nyloc	1	
84	12H67	£7.27	LINK, dynamo adjusting	1	
85	GHF332	£0.19	WASHER, locking	1	
86	SH505051	£0.34	SCREW, link to dynamo	1	
87	SH605091	£0.60	SCREW, dynamo to bracket	1	
88	GHF332	£0.19	WASHER, locking	1	
89	GHF222	£0.42	NUT, nyloc	1	
90	2A552	NCA	TIMING COVER	1	1500cc To (e) GB258
	11G93	NCA	TIMING COVER	1	1500cc From (e) GB259, 1600cc, 1622cc To (e) GC8262
	12H3317	NCA	TIMING COVER	1	1622cc From (e) GC8263 (Timing covers (11G93 & 12H3317) may be interchanged but a late rubber seal cannot be fitted to the earlier cover).
91	2K7140	£2.45	OIL SEAL, felt*	1	1500cc, 1600cc, 1622cc To (e) GC8262
	88G561	£1.90	OIL SEAL, rubber	1	1622cc From (e) GC8263

*Note: To install a new felt timing cover seal (2K7140), remove the old seal and any gasket compound from the groove. Wash the cover in solvent. Soak the new seal in oil and carefully push it into the groove. Make sure that it is straight and not caught on the sharp edge of the cover. When seated, push the crank pulley through the cover and give it a turn or two to seat the seal. Prepare the cover gasket with a small amount of sealer and stick it to the cover or end plate. Push the pulley onto the crank and bolt up the cover. This method ensures that the cover seal is centralised, keeping oil leaks at a minimum.

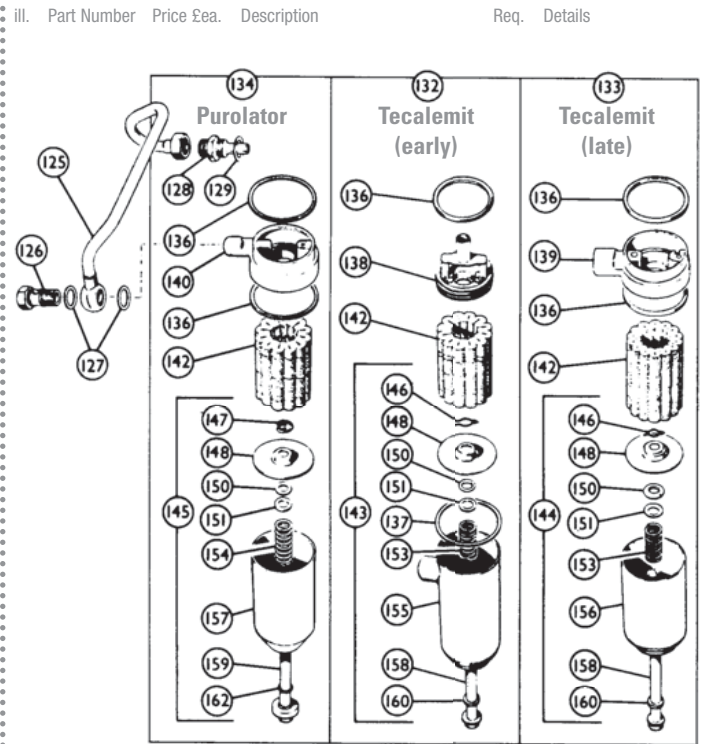
92	12A956B	£1.03	GASKET, timing cover	1	1500cc To (e) GB258
	12H1319	£2.50	GASKET, timing cover	1	1500cc From (e) GB259, 1600cc, 1622cc
93	SH604031	£0.88	SCREW, timing cover, upper	3	
94	GHF117	£0.19	SCREW, timing cover, lower	2	
95	2K5197	£0.25	WASHER, timing cover screw	5	
96	GHF120	£0.19	BOLT, cover & plate to block	4	
97	2K7440	£0.82	WASHER	4	
110	2K6167	£8.70	CABLE, ground engine to chassis	1	
111	11G81	£58.80	PULLEY, crankshaft	1	
112	1H765	£26.90	NUT, starter dog	1	
113	12A398	£0.71	WASHER, lock tab	1	
115	1H721	NCA	PINION, tachometer drive	1	
116	1G2401	£1.33	GASKET, tachometer drive	1	
117	1H591	£61.00	HOUSING, tachometer drive pinion	1	
118	1G2399	NCA	LOCATING RING	1	
119	NKC105A	£3.44	SEAL	1	
120	CRCP343A	£1.70	ENGINE NUMBER PLATE, blank	1	all models
	CRCP386	NCA	ENGINE NUMBER PLATE, BP15GB	1	early 1500cc
	CRCP387	NCA	ENGINE NUMBER PLATE, 15GB-U-H	1	middle 1500cc
	CRCP388	NCA	ENGINE NUMBER PLATE, 15GD-U-H	1	late 1500cc
	CRCP389	NCA	ENGINE NUMBER PLATE, 16GA-U-H	1	1600cc
	CRCP390	NCA	ENGINE NUMBER PLATE, 16GC-U-H	1	1622cc
121	FAS2	£0.40	RIVET, engine number plate	2	

Gasket Sets

AJM104	£24.00	HEAD GASKET SET	1	top end
(Head gasket set, (AJM104), includes cylinder head, manifold, carb/heat shield, air filter, rocker cover, heater outlet, water outlet, thermostat gaskets, & valve stem seals).				
GEG203Z	£15.00	CONVERSION GASKET SET	1	bottom end
(Conversion gasket set, (GEG203B), includes main bearing cap seals, felt timing cover seal, gaskets for front and rear engine plates, timing cover, oil pump, oil strainer, chain tensioner, oil sump, water pump, oil pipe adaptor, tappet covers, crank' case blanking plate, sump drain plug, oil filter and drain tap. (Late 1622cc rubber oil seal not included).				

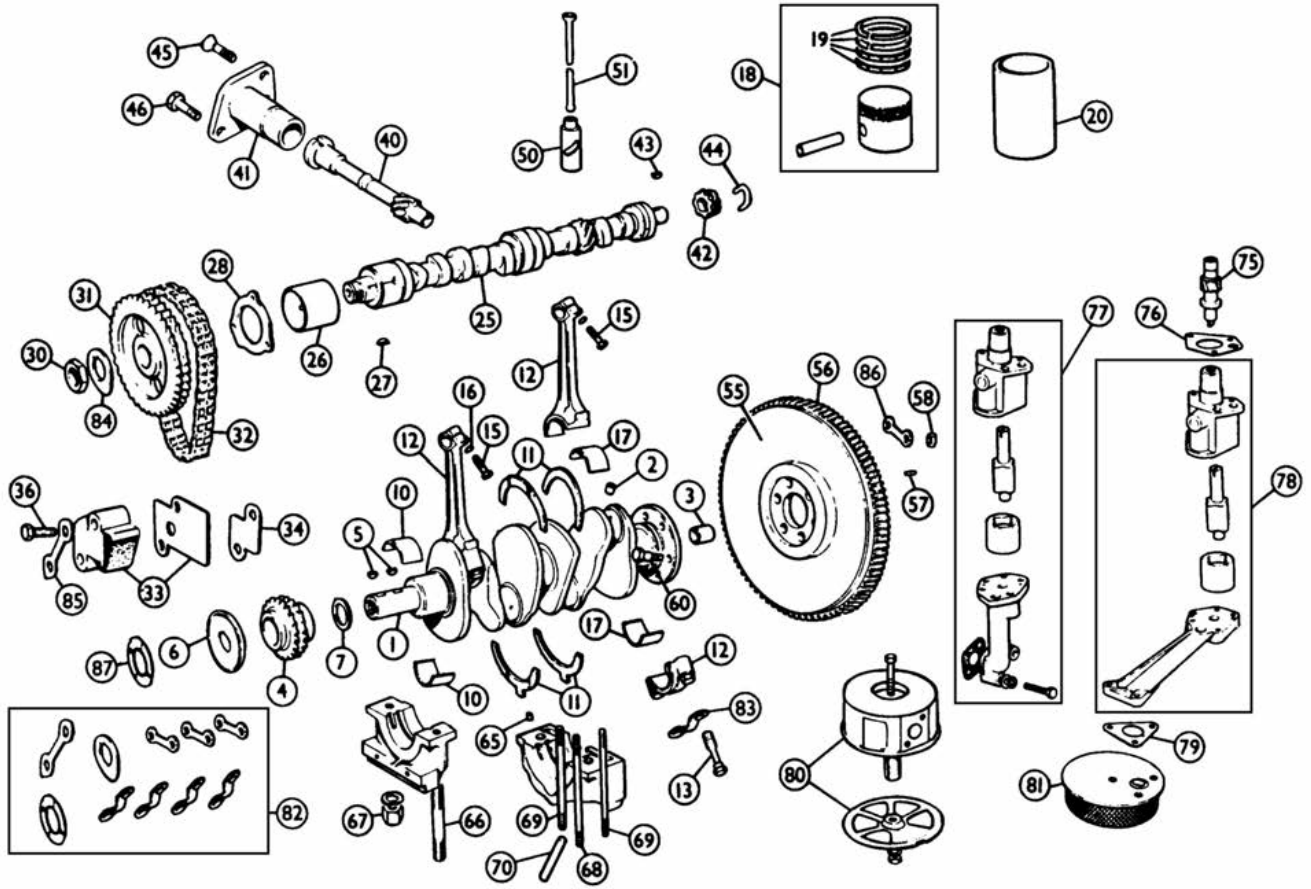
Main Bearing Technical Tip

Main bearing caps are a tight fit and care must be taken when removing them. In lieu of a 'factory' cap puller, insert a bolt in the threaded hole in the cap and pull on it with a slide hammer. Do not use screwdrivers or chisels to separate the caps as these inappropriate tools will damage the mating surfaces. Caps must fit with no clearance. If gouged, oil will pass through the mating surface and the bearing will have too much running clearance. When reinstalling main caps hold the bearing shell against the saddle and tap the cap home gently with a soft-face hammer. Use assembly Lube (part no. KEN2) to protect the bearing until oil reaches it. As part of a rebuild, remove the core plugs and have the block 'hot tanked'. If you are not sure that all the oil passages have been rinsed free of scale & casting sand, pressure wash the block with hot water and detergent. Follow with a hot water rinse and carburettor spray cleaner (MRD1023) through the oil ways.



Oil Filter Components

125	NCA	PIPE, filter to block	1	1500cc To (e) GB26932	
NI 1H1056	NCA	PIPE, filter to block	1	1500cc From (e) GB26933, 1600cc, 1622cc	
126	1K2142	NCA	BANJO BOLT	1	
127	6K501	£0.40	WASHER, copper	2	
128	NCA	ADAPTOR	1	1500cc To (e) GB11297	
NI 1H922	£16.90	ADAPTOR	1	1500cc From (e) GB11298, 1600cc, 1622cc	
129	6K501	£0.40	WASHER, copper	1	
132	NCA	OIL FILTER UNIT, early Tecalemit*	1	1500cc To (e) GB26932	
133	NCA	OIL FILTER UNIT, late Tecalemit*	1	1500cc From (e) GB26933	
134	NCA	OIL FILTER UNIT, Purolator	1	1600cc, 1622cc	
*Note: Oil filter (assemblies) units will interchange, provided the correct pipe (item 125) is used.					
136	8G619	£1.00	SEALING RING	1/2	
137	NCA	SEALING RING, canister	1	early Tecalemit	
138	NCA	HEAD	1	early Tecalemit	
139	1H1068	NCA	HEAD	1	late Tecalemit
140	1H1052	NCA	HEAD	1	Purolator
142	8G683	£7.20	FILTER ELEMENT, felt	1	all
143	GFE102	£3.70	FILTER ELEMENT, paper	1	alternative
143	NCA	CANISTER	1	early Tecalemit	
144	NCA	CANISTER	1	late Tecalemit	
145	NCA	CANISTER	1	Purolator	
146	NCA	SPRING CLIP	1	Tecalemit	
147	1K372	£0.59	SPRING CLIP	1	Purolator
148	17H846	£10.70	PLATE	1	all
150	2K5820	£0.34	WASHER, felt	1	
151	7H1969	£0.40	WASHER, steel	1	
153	7H1764	£1.80	SPRING	1	Tecalemit
154	17H1449	NCA	SPRING	1	Purolator
155	NCA	CANISTER	1	early Tecalemit	
156	1H1069	NCA	CANISTER	1	late Tecalemit
157	1H1053	NCA	CANISTER	1	Purolator
158	7H1965	NCA	BOLT	1	Tecalemit
159	17H1558	NCA	BOLT	1	Purolator
160	7H1948	£0.50	SEAL	1	Tecalemit
162	17H1556	NCA	SEAL	1	Purolator



Part Number	Price £ea.	Description	Req.	Details	
Internal Engine					
1	12H165E £240.20	CRANKSHAFT, reground/exchange	1	1500cc, 1600cc	
	12H165E0 NCA	CRANKSHAFT, reground/outright	1		
	12H165/010 NCA	CRANKSHAFT, reground/outright, +0.010" 1	1		
	(Includes main and con rod bearings and a set of thrust washers).				
	8G2747E £229.60	CRANKSHAFT, reground/exchange	1	1622cc	
2	1G1167 NCA	RESTRICTOR	4		
3	1G765 £2.00	BUSH, spigot	1		
4	12A1553 £16.00	CRANK SPROCKET	1		
5	2H326 £1.34	KEY	2		
6	1A1546 NCA	OIL THROWER	1		
	12H1740 £3.30	OIL THROWER, aftermarket	1		
7	2K6633 £0.82	SHIM, aligns sprocket heights	a/r		
10	8G2288STD £47.20	MAIN BEARING SET, standard	1	1500cc, 1600cc	
	8G2288010 £47.20	MAIN BEARING SET, 0.010"	1		
	8G2288020 £47.20	MAIN BEARING SET, 0.020"	1		
	8G2288030 £47.20	MAIN BEARING SET, 0.030"	1		
	8G2288040 £47.20	MAIN BEARING SET, 0.040"	1		
	8G2335 £27.50	MAIN BEARING SET, standard	1		
	8G2335/10 £27.50	MAIN BEARING SET, 0.010"	1		
	8G2335/20 £27.50	MAIN BEARING SET, 0.020"	1		
	8G2335/30 £27.50	MAIN BEARING SET, 0.030"	1	1622cc	
	8G2335/40 £27.50	MAIN BEARING SET, 0.040"	1		
11	BHM1294 £8.76	THRUST WASHER SET, standard	1		
	BHM1294003 NCA	THRUST WASHER SET, 0.003"	1		
	BHM1294/5 £8.76	THRUST WASHER SET, 0.005"	1		
	BHM1294/10 £8.76	THRUST WASHER SET, 0.010"	1		
12	12H93 £64.50	CONNECTING ROD, no. 1 & 3	2	1500cc, 1600cc	
	12H426 NCA	CONNECTING ROD, no. 1 & 3	2	1622cc	
	12H91 £64.50	CONNECTING ROD, no. 2 & 4	2	1500cc, 1600cc	
	12H424 NCA	CONNECTING ROD, no. 2 & 4	2	1622cc	
13	51K1388 £7.50	BOLT, connecting rod cap	8		
15	51K1382 £1.85	BOLT, gudgeon pin	4	1500cc, 1600cc	
	51K1774 £2.24	BOLT, gudgeon pin	4	1622cc	
16	GHF332 £0.19	WASHER, locking			
17	8G2207 £37.80	BEARING SET, big ends, standard	1		

Part Number	Price £ea.	Description	Req.	Details
8G2207/10	£37.80	BEARING SET, big ends, 0.010"	1	all except Twin Cam
8G2207/20	£37.80	BEARING SET, big ends, 0.020"	1	
8G2207/30	£37.80	BEARING SET, big ends, 0.030"	1	
8G2207/40	£37.80	BEARING SET, big ends, 0.040"	1	
8G2207/60	£37.80	BEARING SET, big ends, 0.060"	1	
18	1H1142 £198.00	PISTON SET, standard	1	1500cc
	1H1142/20 £198.00	PISTON SET, 0.020"	1	
	1H1142/30 £198.00	PISTON SET, 0.030"	1	
	1H1142/40 £198.00	PISTON SET, 0.040"	1	
	1H1142/60 £198.00	PISTON SET, 0.060"	1	(8.3:1 compression ratio)
12H178	£171.00	PISTON SET, standard	1	
12H178/20	£171.00	PISTON SET, 0.020"	1	
12H178/30	£171.00	PISTON SET, 0.030"	1	
12H178/40	£171.00	PISTON SET, 0.040"	1	
12H178/60	£171.00	PISTON SET, 0.060"	1	1600cc
12H437STD	£226.00	PISTON SET, standard	1	
12H437/20	£226.00	PISTON SET, 0.020"	1	
12H437030	£226.00	PISTON SET, 0.030"	1	
12H437040	£226.00	PISTON SET, 0.040"	1	
12H437060	£226.00	PISTON SET, 0.060"	1	
1H1178STD	NCA	PISTON SET, standard	1	1500cc
1H1178030	NCA	PISTON SET, 0.030"	1	
1H1178060	NCA	PISTON SET, 0.060"	1	
12H173STD	NCA	PISTON SET, standard	1	1600cc
12H173030	NCA	PISTON SET, 0.030"	1	
12H173060	NCA	PISTON SET, 0.060"	1	
19	MM421-240 £95.00	RING SET, standard	1	1500cc, 4-ring
	MM421-250 £95.00	RING SET, 0.020	1	
	MM421-260 £95.00	RING SET, 0.030"	1	
	MM421-270 £95.00	RING SET, 0.040"	1	

Note: Piston rings are included with pistons. 9:1 high compression ratio pistons are not recommended due to lower octane rating of available petrol. All MGA piston sets include four matched pistons. When installing new pistons and/or rings, always check all ring end gaps by pushing a ring about an inch into the bore and measuring the resulting gap with a feeler gauge. The proper running clearances are listed in your factory manual. Try to build your engine as close as possible to these measurements.

ill.	Part Number	Price Eea.	Description	Req.	Details
	MM421-280	NCA	RING SET, 0.060"	1	1500cc, 5-ring
	MM421-390	NCA	RING SET, standard	1	
	MM421-395	NCA	RING SET, 0.020"	1	
	MM421-400	NCA	RING SET, 0.030"	1	
	MM421-410	£101.95	RING SET, 0.040"	1	
	MM421-415	£101.95	RING SET, 0.060"	1	1600cc, 4-ring
	MM421-290	£95.00	RING SET, standard	1	
	MM421-300	£95.00	RING SET, 0.020"	1	
	MM421-310	£95.00	RING SET, 0.030"	1	
	MM421-320	£95.00	RING SET, 0.040"	1	
	MM421-330	£95.00	RING SET, 0.060"	1	1622cc, 4-ring
	MM421-340	£95.00	RING SET, standard	1	
	MM421-350	£92.35	RING SET, 0.020"	1	
	MM421-360	£95.00	RING SET, 0.030"	1	
	MM421-370	£88.62	RING SET, 0.040"	1	
	MM421-380	£95.00	RING SET, 0.060"	1	
20	1H641	£29.70	CYLINDER LINER*	4	1500cc
	AEH656	£27.40	CYLINDER LINER*	4	1600cc & 1622cc
	12H514	NCA	CYLINDER LINER*	4	1622cc

*Note: These liners will return worn or damaged cylinder bores to standard diameter. They must be fitted by a competent machine shop. All MGA ring sets service four pistons.

25	88G252	£126.30	CAMSHAFT, new	1	
26	BHM1212	£14.60	CAM BEARING SET	1	
27	WKN505	£0.98	KEY	1	
28	12H1673	£19.75	PLATE	1	
30	6K629	£2.84	NUT	1	
31	11G203	£19.50	CAM GEAR	1	
32	2H4905	£5.50	TIMING CHAIN, 'Duplex'	1	
	2H4905Z	£5.50	TIMING CHAIN, 'Duplex', aftermarket	1	
	2H4905UR	£30.50	TIMING CHAIN, 'Duplex', high quality	1	
33	12H3292	£7.50	TENSIONER UNIT	1	From (e) GB259
34	AEC339	£0.18	GASKET	1	
36	GHF102	£0.29	BOLT	2	

Timing parts are often overlooked during an engine rebuild. Cam' and crank gears must not have sharp 'pointy' teeth, and must fit their keys perfectly. Timing chain wear can be determined with the chain held parallel to the floor. It should not sag appreciably. The closer to horizontal, the better the chain. The Reynolds tensioner must not be deeply grooved. It is possible for a worn tensioner pad to fall into the chain, severely damaging the engine.

40	12G4499	£44.00	SPINDLE, distributor drive	1	
41	1G2285	NCA	SLEEVE, distributor mounting	1	
42	1H730	£51.80	GEAR, tachometer drive	1	
43	WKN304	£0.71	KEY	1	
44	1H605	£0.60	CLIP, end of camshaft	1	
45	SF604041	£0.23	SCREW, sleeve to block	1	
46	GHF117	£0.19	SCREW, clamping plate to sleeve	2	
50	12H3167	£4.70	TAPPET, (cam follower)	8	
51	11G241	£3.05	PUSH ROD	8	

(Tappets & push rods changed in length & diameter of the spherical mating surfaces at engine no. 15GB5504. The later parts which we supply may be used in earlier engines in pairs only).

55	1H651E	£104.50	FLYWHEEL	1	
56	1G2874	£20.00	RING GEAR	1	
57	1G2984	£1.85	PIN, pressure plate locating	2	

(When separating the engine and transmission for any reason, be sure to check the condition of the ring gear teeth. If they are battered and worn, have the ring gear replaced. Ring gears should be replaced only by experts using professional equipment).

58	FNZ506	£0.50	NUT, flywheel screw	6	
60	51K1022	£4.78	BOLT, flywheel to crankshaft	6	
65	2K4608	NCA	PLUG, rear main bearing cap	1	To (e) GB40104
66	51K894	£6.40	STUD, main bearing cap	6	
67	LNZ108	£1.10	NUT, main bearing stud	6	
68	51K889	NCA	STUD, oil pump, long	1	1500cc (early pump)
69	51K267	£2.60	STUD, oil pump, short	2/3	later 1500cc to MkII
70	1K141	NCA	PIPE, drain, in rear bearing cap	1	To (e) GB40104
75	CAM1039	£44.30	SPINDLE, oil pump drive	1	
76	88G420	£1.01	GASKET, pump to crankcase	1	
77		NCA	OIL PUMP	1	To (e) GB46341

(This early pump and strainer are no longer available. The later pump and strainer, (ill. nos. 78 & 81), may be used if fitted as a set).

78	88G296	£80.00	OIL PUMP	1	From (e) GB46342
NI	7H1792	£27.40	'ROTA' KIT, oil pump	1	
79	88G421	£0.40	GASKET, strainer to pump	1	
80		NCA	STRAINER	1	To (e) GB46341
81	JAM2227	£27.70	STRAINER	1	From (e) GB46342
82	GLT1000X	£11.60	LOCK TAB SET	1	
83	6K881	£0.80	LOCK PLATE, con rod bolts	4	
84	2A759	£1.20	LOCK PLATE, cam sprocket nut	1	
85	AEC340	£0.71	LOCK PLATE, t'chain tensioner	1	
86	6K26	£1.85	LOCK PLATE, flywheel	3	
87	12A398	£0.71	LOCK PLATE, crank pulley	1	

Engine Technical Tips

Running clearances

Running clearances are most important to the success and longevity of your rebuild. Oil pressure problems traceable to improper running clearances are commonly found in the oil pump, main bearings, cam bearings and relief valve assemblies.

Check the oil pump

Excessive wear and roughness of interior surfaces indicate the need for a new pump. Refer to your workshop manual for specifications and details.

Crankshaft main bearing clearances

Never attempt to compensate for excess main bearing journal clearance by installing oversize bearings on a crankshaft that has not been turned to accept them. Double check reground journals with Plasti-gauge while installing the crank. Bearing running clearances are listed in the factory shop manual. Wash the oil passages in the crank & block with aerosol carburettor cleaner before assembly. Always use a thin smear of an assembly lubricant. This protects the bearings until the oil reaches the journals. Never attempt to start a new or freshly rebuilt engine without first priming the oil system by removing the spark plugs and turning the engine over with the starter until oil pressure registers on the gauge.

Cam Bearings

Worn cam bearings are a prime source of low oil pressure. New bearings should be installed and finished to correct running tolerances by a competent machinist. Cam bearings must be replaced if you have your block hot tanked.

Oil Pressure Spring and Valve Assembly

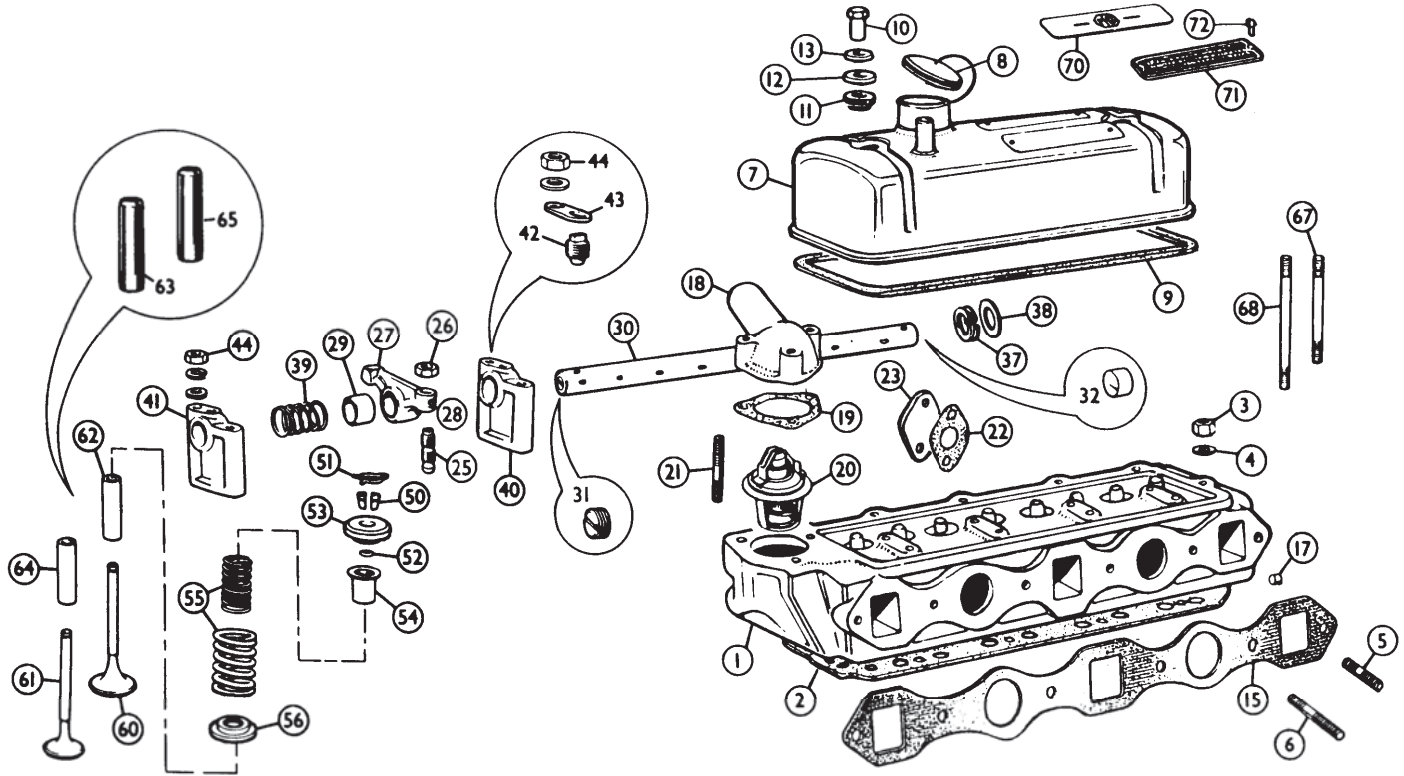
The MGA oil pressure relief spring (1H756) measures 3 inches in length. If the spring is shorter than this, low oil pressure will result. Do not stretch or shim the spring to adjust oil pressure. Replace the valve cap if any wear is evident on the seating face.

The six flywheel bolts

The six flywheel bolts (part number 51K1022) must be set in the crank before the crank is installed in the block. Once the main caps are in place, installing these bolts is practically impossible. Damaged and/or stretched flywheel bolts will result in improper torque and a loose flywheel. Replace any that are not in good condition. Use new nuts and a thread locking compound along with new lock tabs.

Check the block top surface

Check the block top surface of the cylinder block as well as the cylinder head surface for straightness. Use a steel straight edge and a feeler gauge to measure along the length and diagonals of the block. MGA blocks are commonly shallow between cylinders number two and three. Remove as little of the block surface as possible; 0.005" will usually suffice. Counter sinking the head studs will help make a good gasket seal. The studs typically pull up the topmost thread which holds the gasket away from the block surface. Use a suitably sized drill bit or countersink and just touch the hole to knock off the top thread. Always make sure your pistons do not stand more than 0.010" above the deck after installation. An often re-surfaced block top may allow new pistons to hit the head. Mill the piston tops to remove excess metal.

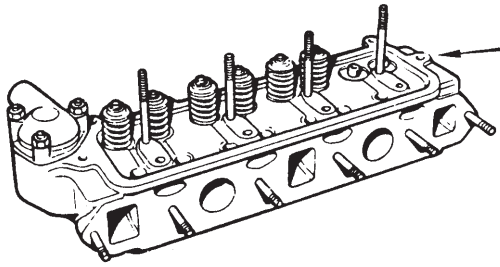


Ill.	Part Number	Price £ea.	Description	Req.	Details
Cylinder Head					
1	48G222LF	£419.20	CYLINDER HEAD ASSY*, lead free, recon	1	1500/1600cc
	48G215LF	£429.00	CYLINDER HEAD ASSY*, lead free, recon	1	MkII, 1622cc

*Note: Cylinder heads are supplied on recon/exchange basis and fitted with valves, guides & springs.

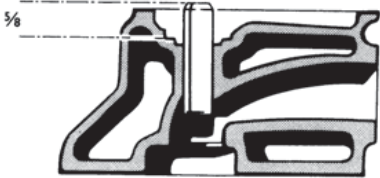
	AJM104	£24.00	GASKET SET, cylinder head, OE	1	
	AJM104Z	£9.70	GASKET SET, cylinder head, alternative	1	
2	GUG155HG	£11.00	GASKET, cylinder head*	1	
	GUG155HGZ	£10.44	GASKET, cylinder head, aftermarket	1	standard cover
3	51K1193	£1.00	NUT, cylinder head stud	11	alloy cover
4	12H2178	£0.25	WASHER, head stud, hardened	11	
5	FHS2513	£0.83	STUD, exh. manifold to head, short	2	
6	FHS2515	£0.80	STUD, exh. manifold to head, long	4	
7	1H1339	NCA	ROCKER COVER	1	see Accessories section
8	8G612	£7.00	OIL CAP	1	
9	AJM402	£1.30	GASKET, rocker cover	1	
	296-311	£12.46	GASKET, rocker cover, silicone	1	standard cover
	296-312	£17.10	GASKET, rocker cover, silicone	1	alloy cover
10	2A150	£0.85	CAP NUT, rocker cover	2	
	CAM6823	£3.00	CAP NUT, rocker cover, chromed	2	
11	12A1358	£0.35	BUSH, rubber	2	
12	1A2156	£0.65	WASHER, cupped, plain	2	
	12G679	£0.95	WASHER, cupped, chromed	2	
13	1B2925	£1.03	DISTANCE PIECE	2	
	CAM6921	£1.20	DISTANCE PIECE, chromed	2	
15	GEG602	£3.50	GASKET, manifold	1	
	GEG602Z	£2.54	GASKET, manifold, aftermarket	1	
17	6K872	£0.26	PLUG, cylinder head oil feed	1	
18	12H797	£12.00	HOUSING, thermostat	1	
19	GTG101	£0.29	GASKET, thermostat housing, cork	1	standard material
	GTG101X	£1.03	GASKET, thermostat housing, Klingsersil	1	uprated material
20	GTS102	£3.40	THERMOSTAT, 74°C	1	hot climates
	GTS104	£3.60	THERMOSTAT, 82°C	1	standard conditions
	GTS106	£4.20	THERMOSTAT, 88°C	1	cold climates
21	CHS2515	£1.00	STUD, water outlet elbow	3	
22	12H3868	£0.40	GASKET, heater valve*	1	
23	1G1282	£10.13	COVER, heater valve port	1	when heater not fitted
25	12H3376	£1.49	SCREW, rocker arm adjusting	8	
26	51K1178	£0.34	NUT, adjusting	8	
27	12H3377	£12.00	ROCKER ARM	8	
28	5C2436	NCA	PLUG, oil drilling	8	
29	1G2295	£1.45	BUSH	8	must be drilled & reamed
30	11G62Z	£13.00	ROCKER SHAFT	1	
	11G62K	£94.00	ROCKER GEAR	1	
31	2K4608	NCA	PLUG, threaded	1	includes items 25 to 43

32	6K878	NCA	PLUG, plain	1	
37	044630	NCA	WASHER, double coil	2	
38	PWZ110	£0.48	WASHER, plain	2	
39	6K871	£1.80	SPRING	3	
40	12H389	£13.80	BRACKET, with tapped hole	1	
41	12H390	£7.32	BRACKET, plain	3	
42	2A258	£1.80	PLUG	1	
43	2A259	£2.00	LOCK PLATE	1	
44	GHF201	£0.08	NUT, rocker bracket stud	4	
50	1K800	£4.00	VALVE COTTER	16	
51	1K372	£0.59	CLIP	8	
52	AEK113	£0.29	VALVE STEM SEAL, standard*	8	
	12B2104	£0.60	VALVE STEM SEAL, improved	8	
*Note: We recommend you use the improved valve stem oil seals (Part No: 12B2104).					
53	1H1319	NCA	VALVE CAP	8	original type
	12H992	£2.00	VALVE CAP	8	replacement
*Note: The original type of valve cap (Part No: 1H1319) is no longer available. Use the later type (Part No: 12H992) and discard the original oil deflector (Part No: 1H725).					
54	1H725	£7.20	OIL DEFLECTOR	8	
55	12H176K	£18.90	SPRING SET, valve	1	standard
	TMG10707	£38.30	SPRING SET, valve	1	fast road/sport
56	1H1321	£1.10	COLLAR, valve lower, twin spring	8	
60	1H1059	£6.40	INLET VALVE, 1.500" diameter	4	1500cc, 1600cc
	12H435	£8.10	INLET VALVE, 1.563" diameter	4	MkII (1622cc)
61	1H1323	£6.80	EXHAUST VALVE	4	1.281" diameter
	MM423-115	£21.00	EXHAUST VALVE, 'Stellite'	4	uprated
	12H436	£7.20	EXHAUST VALVE	4	1.344" diameter
	MM423-155	£21.00	EXHAUST VALVE, 'Stellite'	4	uprated
62	12H2222	£2.30	INLET GUIDE, (standard)	4	
63	TMG10795	£10.80	INLET GUIDE, (uprated)*	4	silicone bronze
64	12B1339	£1.20	EXHAUST GUIDE, (standard)	4	
65	TMG10796	£9.76	EXHAUST GUIDE, (uprated)*	4	silicone bronze
*Note: To reduce the frequency of valve jobs, we suggest the use of our Stellite-faced exhaust valves & silicon bronze valve guides. Stellite is a very hard wearing and erosion resistant alloy which retains these properties at very high temperatures, making it the ideal material for exhaust valves. The low friction and high strength characteristics of silicon bronze produces valve guides which not only show extremely little wear after long service but produce much less valve stem wear than common guides. The combination of our Stellite exhaust valves and silicon bronze valve guides cannot be beaten for reliability and longevity!					
67	51K881	£3.10	STUD, rocker bracket, short	2	
68	51K893	£2.24	STUD, rocker bracket, long	2	
70	CRCP349	£2.90	PLATE, rocker cover	1	MG crest
71	CRCP350	£3.14	PLATE, rocker cover	1	patent number
72	AHA9999	£0.25	RIVET, rocker cover plates	4	

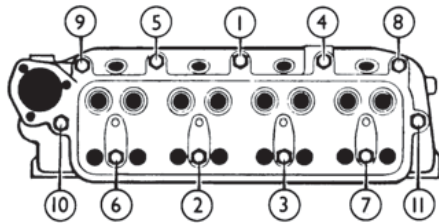


Location of cylinder head identification number

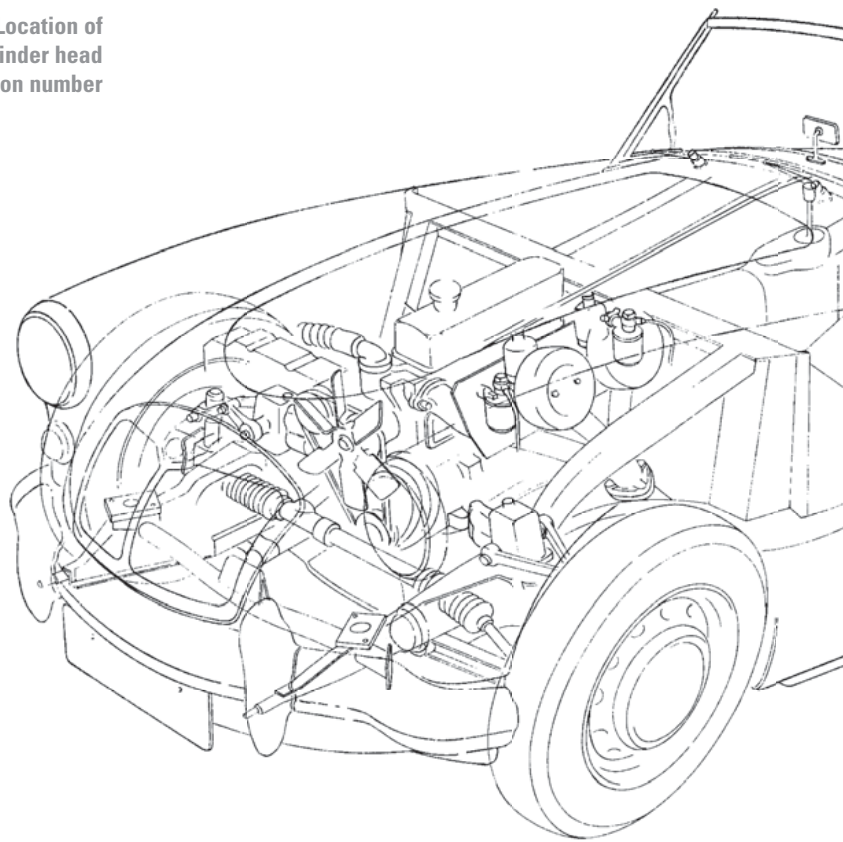
Cylinder Head Inspection



Valve Guide Installation



Installing The Cylinder Head



ill.	Part Number	Price £ea.	Description	Req.	Details
------	-------------	------------	-------------	------	---------

ill.	Part Number	Price £ea.	Description	Req.	Details
------	-------------	------------	-------------	------	---------

Cylinder Head Technical Information

Cylinder Head Inspection

MGA cylinder heads are sturdy and will run acceptably well when far past their prime. In some aspects, this is not advantageous as faults such as bad valve guides, burnt valves, and cracked seats are not discovered until they are fatal to the head.

Cracks are the most common problems with MGA heads. Improper torque and overheating are the prime cause of cracks found in the seats and the exterior casting between number two and three cylinders. A small crack may be successfully repaired by a machinist using a new seat. Welding is sometimes attempted, but do not expect a lot of success with cracks that appear on the exterior of the head or in the fuel passages. Welds can fail unexpectedly regardless of the skill of the welder.

Before carrying out any work on the head, clean the combustion chamber and inspect the valves and seats for obvious problems such as burned valves and cracks.

An easy (on the bench) leak test can be done with solvent or carburettor cleaner. Pour a small amount of the fluid into the inlet ports and set the head down on its face. After a few seconds lift the head, and observe how much fluid has seeped around the valves, the more fluid, the poorer the seal.

Before spending time and money on your cylinder head, have it magnafluxed at a machine shop. This is an inexpensive process that will reveal any cracks.

Since all MGA heads are virtually interchangeable you should know what you have on your car. Look to the rear of the head - there is usually a number cast in the surface between the stud holes. Generally a '15' denotes a 1500cc or 1600cc head and a '16', we believe, indicates a 1600cc MkII head. An '18' is an MGB head. Many heads were unmarked and there are exceptions. Be sure not to order cylinder head parts by external appearances. Measure your valves and order accordingly.

The 1600cc MkII carried a head with improved casting, greater port volume and larger valves. This was the pattern followed for the MGB 1800cc heads.

When exchanging cylinder heads keep in mind that although the castings are interchangeable throughout the range, you should go 'up' not 'down'. For example, an 1800cc is suitable for a 1500cc, but it is counterproductive to install a 1500cc head on an 1800cc engine.

Valve Guide Installation

Be sure to check valve stems and valve guides for wear before grinding the valve faces. Worn guides can be driven out toward the combustion chamber side by using a 9/16" diameter steel rod or punch. Press the new valve guides into the head from the top until they are 5/8" from the spring seat as illustrated below. Inlet guides are fitted with the widest bevel at the top and exhaust guides are fitted with the counter-bored ends at the bottom.

Installing the Cylinder Head

One of the most common complaints about the MGA is its leaky head gaskets. This need not be, and is usually a symptom of poor assembly, rather than a fault of the car. A few simple procedures will produce a leak free installation.

The first consideration is the method of removal. The proper sequence should be followed in slackening the head nuts as well as tightening them. Do not use sharp edged tools to pry at the edges of the head. If force is necessary, gently tap the head around its perimeter with a soft-faced hammer. If it is necessary to lever the head, the lug at the back and the thermostat housing may be used to brace the lever.

A good seal can be achieved only if the mating surfaces of the head and block are clean and flat. A good, if rather tedious cleaning method is to scrape the surfaces with a single edge razor blade. Solvent or carburettor cleaner can be used to help soften the old gasket. If the studs are removed, a sanding block with 80 grit waterproof paper can be used to finish the surfaces. Low spots will show up as dark areas when the sandpaper block method is used. This method requires some care that the grit and particles do not enter the interior of the block or cylinders. The threaded holes must be cleaned out too. Cleanliness is of prime importance, although less critical if the assembly is to be hot-tanked and washed before reassembling.

Check the head and block surfaces for flatness. If the head is warped it will have to be planed. Unless you are building a modified engine, have as little metal as possible removed. Your block may also have to be planed, and many shops will pass a block over the planer as a matter of course. See our engine section for tips on countersinking the stud holes, which is of primary importance if your block has been planed.

Installation, as the saying goes, is the reversal of the above procedure. Wipe the surfaces with a cleaner, and see that they remain clean and dry throughout the operation. Check the new gasket; note that it is marked 'top' and 'front'. If not, it is an easy matter to line up everything to see that it will be installed correctly.

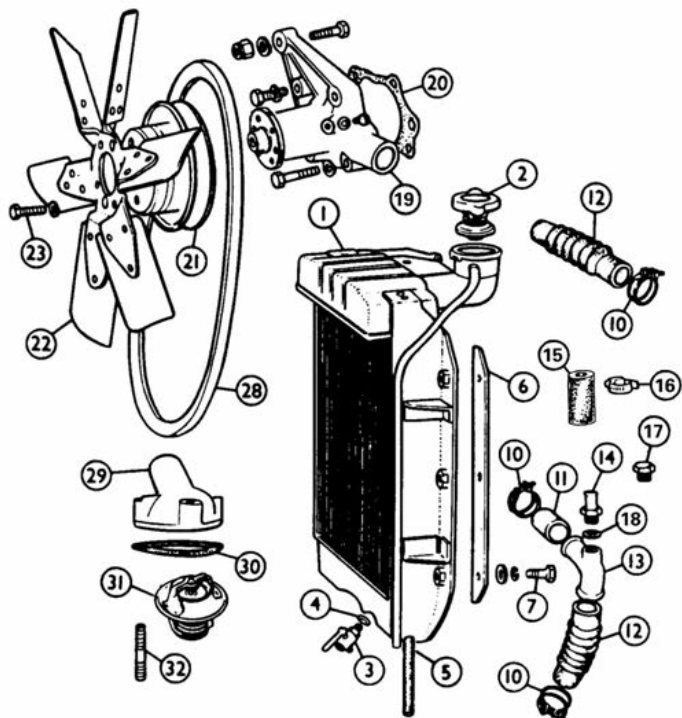
Although instructions some gasket sets (and in some of the shop manuals) may say that gasket sealer is not required, but a light coating of 'Wellseal' on the gasket will help prevent leaks. This is especially true with the composite head gaskets supplied in place of the copper type in many of today's gasket sets.

While the gasket is drying, replace the studs and wipe any grit from the surface of the block.

Studs only need to be torqued to 25 ft./lbs. or so. Check the studs carefully for stretched and damaged threads. Replace any that are suspect (item 67, 51K281, item 68, 51K282). By now, thirty or so years after manufacture, it is probably a good idea to replace all the old studs and nuts.

Place the gasket over the studs carefully. Lower the head into place, install the push rods, rocker assembly, washers and nuts. Now is where all the careful preparation can go wrong.

Torquing must be done accurately and in the proper sequence. Go around the head three or four times, increasing the torque each time. Start at 25 ft./lbs., go to 40 ft./lbs. and finish up at 50 ft./lbs. Studs with a dot or the number 22 on the end will take more torque than the unmarked studs. It is safe to torque these to 60 ft./lbs., but only if all studs are so marked.



ill.	Part Number	Price £ea.	Description	Req.	Details
Cooling					
Radiator, Thermostat, Water Pump & Hoses					
1	ARH120	£154.80	RADIATOR, new	1	
	ARH120AL	£577.20	RADIATOR, alloy, new	1	
2	GRC103	£4.30	RADIATOR CAP, 4 lbs.	1	normal
	GRC101	£4.30	RADIATOR CAP, 7 lbs.	1	raises boiling temp.
3	061864	£10.28	TAP, radiator drain	1	
4	ARH517	£0.22	WASHER, for drain tap	1	
5	GRH1001M	£2.00	OVERFLOW TUBE	1	(sold per metre)
6	AHH5144K	£3.80	PACKING SET, radiator mounting	1	
7	GHF120	£0.19	BOLT, radiator mounting	6	
10	GHC11035	£2.20	HOSE CLIP, band type	6	alternatives
	CS4025	£1.50	HOSE CLIP, wire type	6	
11	FMK8859	£4.00	RADIATOR HOSE, pipe to pump	1	
12	GRH305X	£4.50	HOSE, upper & lower, braided	1	
	GAC2110X	£86.60	HOSE SET, silicone	1	
13	ACH5031	£14.20	PIPE, water branch	1	
14	AMK8847	£10.15	NIPPLE, (when heater is fitted)	1	
15	AHH5434	£1.20	HOSE, heater return to elbow	1	
	AHH5434X	£3.10	HOSE, heater return to elbow, silicone	1	
16	GHC11030	£2.20	HOSE CLIP, band type	1	
	CS4013	£1.39	HOSE CLIP, wire type	1	
17	AEK122	£8.00	PLUG, (when heater is not fitted)	1	
18	232043A	£0.71	WASHER	1	
19	GWP103	£30.90	WATER PUMP, new	1	
	8G2373	NCA	REPAIR KIT	1	single bearing pump only
	88G446	£10.40	SEAL, rear	1	From GB39365
20	88G422	£1.10	GASKET, pump to block	1	
21	8G742	NCA	PULLEY, pressed type	1	original
	8G742X	£43.00	PULLEY, machined billet steel	1	alternative
22	AEG129	£56.00	FAN	1	
23	GHF117	£0.19	SCREW, fan to pulley	4	
28	GCB10900	£4.00	FAN BELT	1	
29	12H797	£12.00	HOUSING, thermostat	1	
30	GTG101	£0.29	GASKET, thermostat housing, cork	1	standard material
	GTG101X	£1.03	GASKET, thermostat housing, Klingersil	1	uprated material
31	GTS102	£3.40	THERMOSTAT, 74°C	1	hot climates/summer
	GTS104	£3.60	THERMOSTAT, 82°C	1	standard
	GTS106	£4.20	THERMOSTAT, 88°C	1	cold climates/winter
32	CHS2515	£1.00	STUD, thermostat housing	3	

Note: An over-tightened fan belt will ruin the dynamo & water pump bearings, and will eventually loosen the crank pulley rivets. Refer to workshop manual.

“Preserve and Maintain Your Cooling System”

Water is a most efficient liquid for cooling engines, but it has two distinctive drawbacks. Firstly it freezes in winter, and secondly it does nothing to stop corrosion. Classic cars can feature large amounts of aluminium, copper,

ill. Part Number Price £ea. Description Req. Details

brass and bronze, so it is imperative that a corrosion inhibitor be used to protect the engine's cooling system. There are four types of corrosion:

Deposits Calcium carbonates that form hard deposits and adhere to radiator tubes etc.

Oxidation The combining of oxygen and iron to form rust.

Electrolysis A chemical reaction between dissimilar metals which react with one another via water thus conducting electricity and deposits on the negative (cathode to anode) area.

Erosion A mechanical problem caused by water turbulence and flow.

Anti-Freeze (& Summer Coolant)

It's not just during the winter that your engine needs protection.

GEC2001	£4.32	ANTI-FREEZE	a/r	1 Litre
GEC2002	£7.60	ANTI-FREEZE	a/r	2 Litre
GEC2005	£17.80	ANTI-FREEZE	a/r	5 Litre

Sealers & Inhibitors

Here we have listed items that we all know about, but sometimes forget!

GGL9041X	NCA	CORROSION INHIBITOR, (Penrite)	a/r	
GAC6073	£3.05	'BARS' SEAL, (Pellet)	a/r	
MRD1031	£4.37	'BARS' LEAK, (135ml)	a/r	
MRD1032	£4.57	'BARS' FLUSH, (100gm)	a/r	

Redline 'Water Wetter'

This cooling system additive improves efficiency in three ways:

- A) It improves the specific heat capacity of water (the amount of energy required to raise temperature), meaning the water in the system takes more heat away from the metal parts of the engine. When the water reaches the radiator it is able to transfer more heat energy to the metal radiator core and then to the cooler air flowing through it.
 - B) It reduces the surface tension of water allowing it to flow more freely through the system and make better contact with the metal parts (i.e. engine and radiator).
 - B) It has a lubricant quality which prolongs the life of the water pump main seal.
- | | | | | |
|-----------|--------|---------------------------------|-----|--|
| MM220-115 | £14.10 | REDLINE 'WATER WETTER', (355ml) | a/r | |
|-----------|--------|---------------------------------|-----|--|

Clutch

Clutch & Brake Fluids

When did you last change your Clutch/Brake fluid?

DOT3 fluid ought to be completely discarded, DOT4 ('GBF4') should be installed and replaced every 2 years, as recommended by manufacturers. An alternative, especially if you are replacing master cylinders, brake calipers and/or wheel cylinders, is to thoroughly flush out the pipes and install Silicone fluid (DOT5 'ABF'), which is 'Non-Hygroscopic', so it doesn't promote rust problems in the hydraulic system. The bonus is that it won't damage paint work.

When silicone is in use it will provide years of trouble free braking and an end to the monotonous and expensive pastime of repairing or replacing worn or leaking hydraulic components. Racing Fluid (DOT5.1 'GBF5') really is the ultimate in brake fluid. Its anti-boil properties mean that even when the brakes get hot the fluid will remain efficient, rather than boiling locally (such as in the calipers) into useless vapour. Ideal on the race track or when the brakes are used to their limits. Due to its high 'Hygroscopic' nature, DOT5.1 Racing fluid should be replaced annually otherwise the quality and effectiveness will be drastically reduced.

Brake/Clutch Fluid (DOT4 Specification)

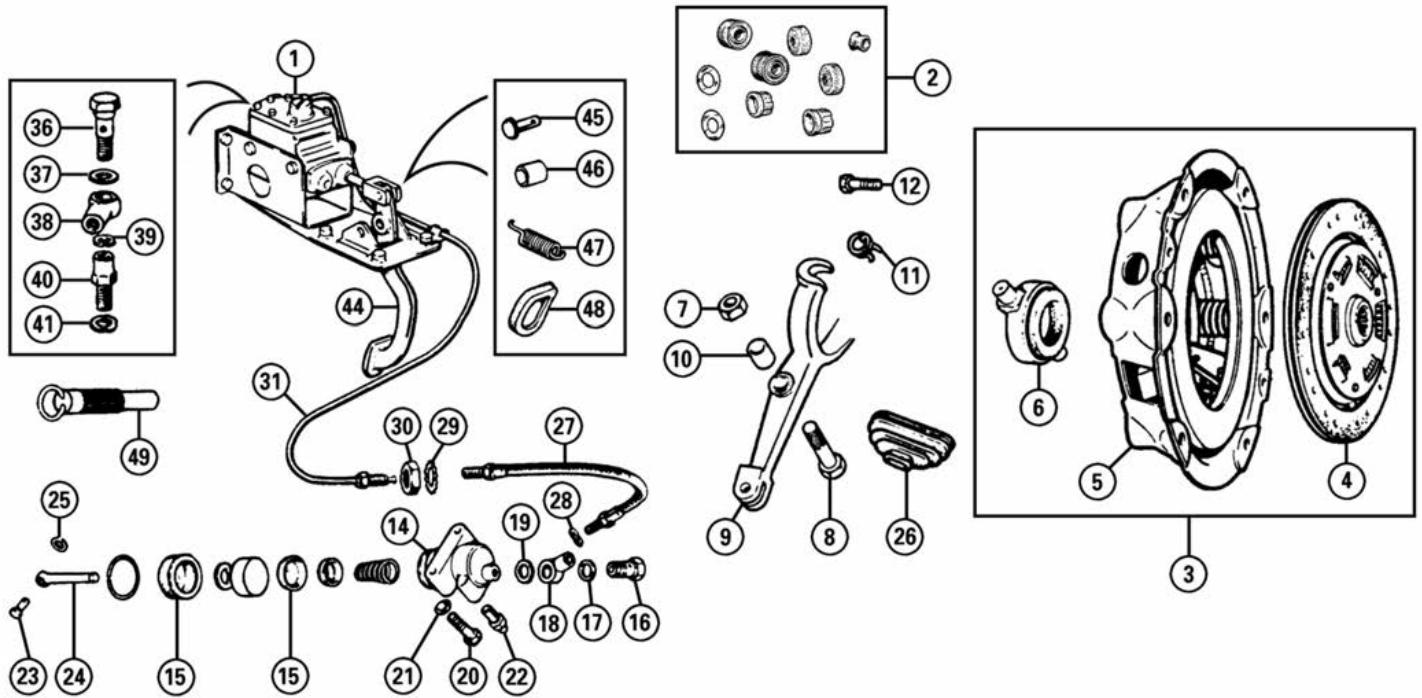
NI	GBF4102	£5.45	BRAKE/CLUTCH FLUID, DOT4	a/r	500ml
NI	GBF4103	£10.74	BRAKE/CLUTCH FLUID, DOT4	a/r	1 litre
NI	GBF4104	£42.00	BRAKE/CLUTCH FLUID, DOT4	a/r	5 litre

Silicone Brake/Clutch Fluid (DOT5 Specification)

NI	ABF3	£18.00	BRAKE/CLUTCH FLUID, DOT5	a/r	silicone, 500ml
NI	ABF4	£30.00	BRAKE/CLUTCH FLUID, DOT5	a/r	silicone, 1 litre

Racing Brake/Clutch Fluid (DOT5.1 Specification)

NI	GBF5102	£7.62	BRAKE/CLUTCH FLUID, DOT5.1	a/r	racing, 500ml
NI	GBF5103	£14.25	BRAKE/CLUTCH FLUID, DOT5.1	a/r	racing, 1 litre



ill.	Part Number	Price £ea.	Description	Req.	Details
Clutch & Brake Master Cylinder					
1	GMC109	£130.00	MASTER CYLINDER	1	1500cc
	GMC109Z	£55.00	MASTER CYLINDER, aftermarket	1	
	17H7705	£110.70	MASTER CYLINDER, aftermarket	1	1600cc & MkII
2	8G8224	£14.50	REPAIR KIT	1	
	8G8224Z	£14.00	REPAIR KIT, aftermarket	1	
Clutch Drive Components & Slave Cylinder					
3	GCK257	£198.00	CLUTCH KIT, 3 pieces	1	1500, 1600cc & MkII To (e)3828
	GCK258	£198.00	CLUTCH KIT, 3 pieces	1	1600cc MkII From (e)3829
4	GCP132	£52.00	CLUTCH PLATE, 10 splines	1	1500, 1600cc & MkII To (e)3828
	GCP116	£45.50	CLUTCH PLATE, 23 splines	1	1600cc MkII From (e)3829
	GCP116X	£42.20	CLUTCH PLATE, 23 splines, heavy duty	1	
5	GCC108	£140.00	PRESSURE PLATE, new	1	all models
6	GRB103	£12.00	RELEASE BEARING	1	

Note: MGA starters have a habit of chewing up the flywheel ring gear (1G2874). While replacing the clutch, always check the ring gear for damage to the teeth, and have your machine shop install a new one if significant damage is present.

7	GHF202	£0.12	NUT	1	1500cc To (e)4524
	GHF223	£0.40	NUT	1	From (e)4525 through MkII
8	11G3145	NCA	BOLT	1	1500cc To (e)4524
	11G3196	£4.07	BOLT	1	From (e)4525 through MkII
9	1G3653	NCA	LEVER, clutch release	1	1500cc To (e)4524
	11G3193SR	NCA	LEVER, clutch release	1	From (e)4525 through MkII
10	1G3582	£2.05	BUSH, in lever	1	1500cc To (e)4524
	11G3195	£1.36	BUSH, in lever	1	From (e)4525 through MkII
11	7H3048	£1.03	RETAINER, release bearing	2	
12	SH605071	£0.40	SCREW, plate to flywheel	6	
14	GSY106	£45.00	SLAVE CYLINDER	1	
	GSY106Z	£15.00	SLAVE CYLINDER, aftermarket	1	
15	GRK4016Z	£3.30	REPAIR KIT	1	1500cc
16	11K8276	£5.70	BANJO BOLT	1	
17	7H7456	£1.24	WASHER, copper, large	1	1500cc To (c)11767
18	3H544	£16.00	BANJO	1	
19	3H550	£0.46	WASHER, copper, small	1	
20	BH506161	£1.33	BOLT, cylinder to gearbox	2	
21	GHF333	£0.19	WASHER	2	
22	606733A	£1.85	BLEEDER	1	
23	CLZ515	£1.03	CLEVIS PIN	1	
24	13H21	£5.40	PUSH ROD	1	
25	GHF301	£0.10	WASHER	1	
26	22H1337	£2.00	BOOT, clutch lever	1	
27	GVP1001	£6.90	HOSE, clutch	1	standard
	TT3041	£38.00	HOSE, clutch, stainless steel braided	1	uprated
28	3H550	£0.46	WASHER, copper	1	
29	WE600101	£0.34	WASHER, shakeproof	1	
30	2K8686	£1.00	NUT	1	

ill.	Part Number	Price £ea.	Description	Req.	Details
31	ACB8754	£15.00	PIPE, master cylinder to hose	1	LHD only
	AJD276	£13.55	PIPE, master cylinder to hose	1	RHD only
36	11K8276	£5.70	BANJO BOLT	1	
37	7H7456	£1.24	WASHER, copper, large	1	
38	3H544	£16.00	BANJO FITTING	1	
39	3H550	£0.46	WASHER, copper, small	1	
40	21K8564	£7.30	ADAPTOR, slave cylinder pipe	1	
41	233220A	£0.55	WASHER, copper	1	
44	AHH5841	£72.00	CLUTCH PEDAL	1	RHD From (c)61100
45	ACB8715	£1.03	CLEVIS PIN	1	
46	AAA4129	£3.50	PEDAL BUSH	1	
47	AAA1628	£1.10	SPRING, pedal return	1	
48	AHH5100	£1.00	PEDAL PAD, brake & clutch	2	
49	GAC5056	£5.10	TOOL, clutch alignment	1	10 spline
	GAC5057	£5.10	TOOL, clutch alignment	1	23 spline

Sorting Out Clutch Problems

Clutch problems fall into three categories:

- A) The clutch does not release properly when the pedal is depressed, resulting in difficult engaging of gears.
- B) Clutch slip, a condition where the engine speed increases when you try to accelerate, but the car does not speed up accordingly.
- C) Clutch judder, where the clutch does not take up smoothly as you let the clutch out.

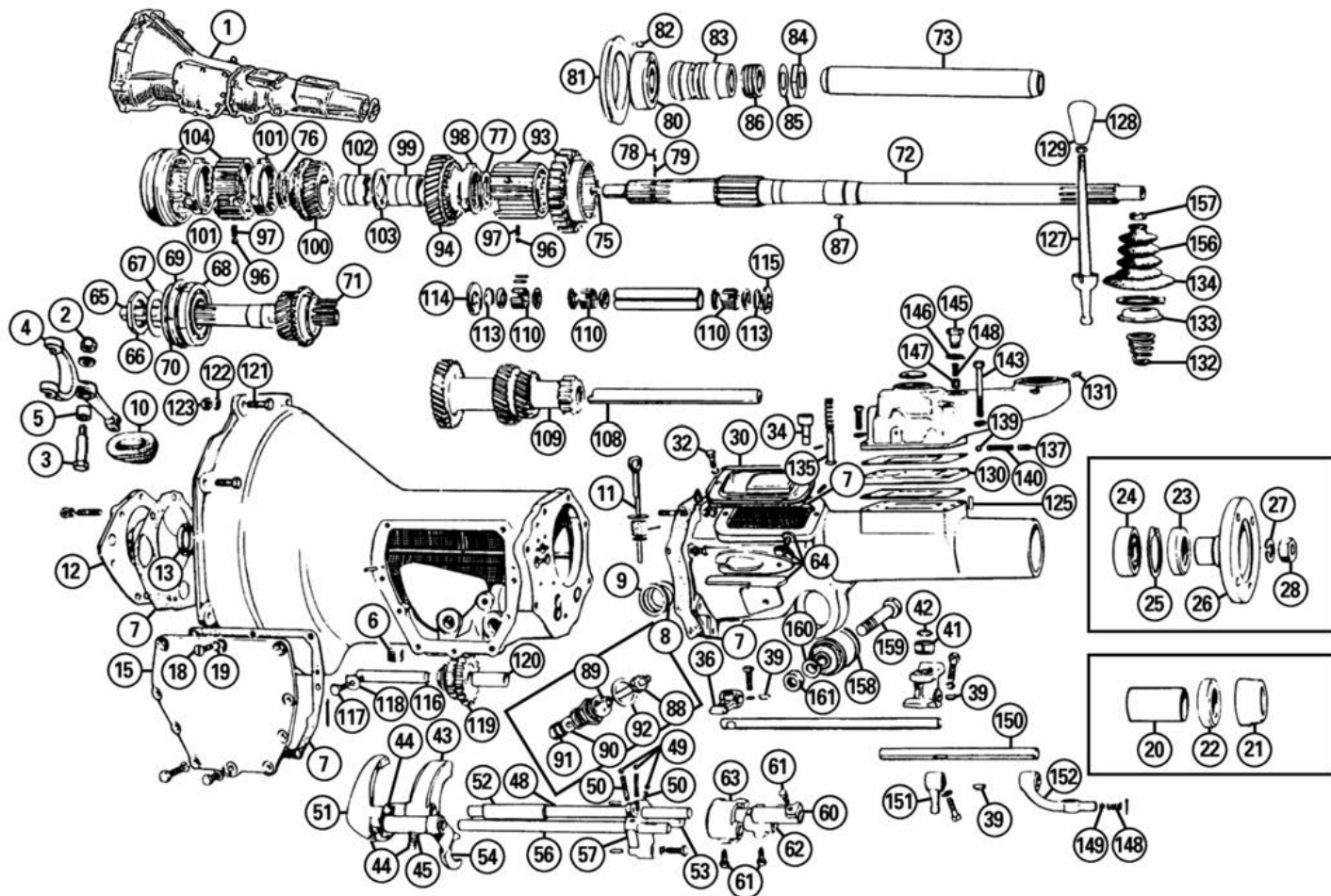
Problem (A) is usually caused by faulty hydraulics.

First, check that there is sufficient fluid in the clutch master cylinder. If the level is low, look for leaks at the master cylinder or slave cylinder, and rebuild or replace these cylinders as necessary. If the level is okay and there are no leaks evident, bleed the system to ensure there is no air present. Check that the flexible hose has not deteriorated; watch to see that it does not expand in diameter while a colleague pushes the clutch pedal. If the hydraulics are working properly, the end of the release fork arm should travel a minimum of 3/8". If the clutch does not release properly, even though the hydraulics are working correctly, either the release bearing is completely worn out (so the clutch cover is not being pushed far enough to release the clutch plate), or the plate itself is hanging up. Either of these problems require that the engine be removed to inspect and remedy the situation.

Problems (B) & (C) both require that the engine be removed to get at the clutch.

Clutch slip results from the plate being worn out or oily, (which also causes judder), or the clutch cover springs being weak. Since getting to the clutch is such a labour-intensive operation, we strongly recommend replacing the plate, cover and release bearing if you have a mechanical problem with your clutch. Also, check the clutch lever bush and pivot bolt and replace if worn. Excess play of the lever will cause premature wear on the release bearing. A new release bearing has 11/64" of carbon thrust face exposed from the metal body; if yours has 1/8" or less, it should be replaced. If the plate has worn so far that the rivets are exposed, check the face of the flywheel for grooves. It must be removed and resurfaced if the face is scored noticeably.

Another source of lost motion is worn pedal clevises, and the slave cylinder rod & clevis. These should be replaced when wear becomes apparent, as a relatively small amount of movement works the entire system.



Part Number	Price £ea.	Description	Req.	Details
Gearbox				
Gearbox Units				
1 12H3140E	£743.20	GEARBOX, recon/exchange	1	early 1500cc
1H3167E	£733.00	GEARBOX, recon/exchange	1	1500cc To (e) 4524
1H3362E	£748.20	GEARBOX, recon/exchange	1	1600cc
22H73E	£748.20	GEARBOX, recon/exchange	1	1622cc
Gearbox Components				
2 GHF202	£0.12	NUT	1	1500cc To (e) 4524
GHF223	£0.40	NUT	1	From (e) 4525 through MkII
3 11G3145	NCA	BOLT	1	1500cc To (e) 4524
11G3196	£4.07	BOLT	1	From (e)4525 through MkII
4 1G3653	NCA	LEVER, clutch release	1	1500cc To (e) 4524
11G3193SR	NCA	LEVER, clutch release	1	From (e) 4525 through MkII
5 1G3582	£2.05	BUSH, in lever	1	1500cc To (e) 4524
11G3195	£1.36	BUSH, in lever	1	From (e)4524 through MkII
6 6K499	£1.90	PLUG, oil drain	1	To (e) 15GD101
2K5830	£4.78	PLUG, oil drain	1	From (e) 15GD101
7 BGK101	£2.60	GASKET SET, gearbox	1	oil seals not included
8 8G500	NCA	PLUG, blanking	2	
9 2K4971	£1.28	WASHER, for plug	2	
10 22H1337	£2.00	BOOT, clutch lever	1	
11 1G3802	NCA	DIPSTICK	1	
12 11G3197	NCA	FRONT COVER*	1	To (g) A8010
48G179	NCA	FRONT COVER	1	From (g) A8011
13 88G545	£3.00	OIL SEAL, input shaft	1	
*Note: Early cars had no oil seal, later cover & seal may be retrofitted.				
15 1G3656	NCA	SIDE PLATE	1	
18 52K1226	NCA	SCREW, countersunk 5/16" UNF	3	To (g) A915
53K162	£1.55	SCREW, countersunk 5/16" UNC	3	From (g) A915
19 6K9012	£0.44	WASHER	3	
20 1G3418	NCA	BUSH, sliding spline mainshaft	1	non-flanged mainshaft (This bush must be honed to size after installation).
21 11G3147	£35.00	SEAL, thick steel/rubber/felt, ext.	1	1500cc To 20752

Part Number	Price £ea.	Description	Req.	Details
22 RTC447A	£5.70	SEAL, thin steel/rubber, internal	1	1500cc From 20753 To end of 'GB' engine
23 1H3275Z	£5.70	SEAL, flanged type mainshaft	1	
24 104433	£12.50	BEARING, flanged type mainshaft	1	
25 CN240	NCA	CLIP	1	From 15GD engine
26 1H3304	NCA	FLANGE	1	
27 WL600121	£0.50	WASHER, locking	1	
28 FNZ612	£2.45	NUT	1	
30 1G3809	NCA	COVER	1	
32 SH504051	£0.20	SCREW	6	
34 21H6060	£3.50	BREATHER	1	
35 1H3368	NCA	SHAFT, remote control	1	
36 88G254	NCA	LEVER, front selector	1	
39 WKN404	£0.71	KEY	4	
40 88G253	NCA	LEVER, rear selector	1	
41 22H15	£2.70	BUSH, replacement	1	
42 1G3709	NCA	CLIP	1	(Used with original split type bush only).
43 11G3135Z	NCA	FORK, 1st & 2nd gear	1	
44 2A3492	£2.75	LOCK BOLT	3	
45 JN2107	£0.19	NUT	3	
48 11G3079	NCA	SHAFT, 1st & 2nd fork	1	
49 BLS110	£0.29	BALL	3	
50 22A75	£1.24	SPRING	3	
51 1H3257	NCA	FORK, 3rd & 4th gear	1	
52 1H3258	NCA	TUBE, spacing	1	
53 11G3140	NCA	SHAFT, 3rd & 4th fork	1	
54 11G3134Z	NCA	FORK, reverse gear	1	From (g) A290
56 11G3137	£6.30	SHAFT, reverse gear fork	1	
57 11G3187	NCA	BLOCK, shaft locating	1	
60 11G3132	NCA	SELECTOR, 1st & 2nd gear	1	
61 1G3708	£0.94	LOCK BOLT	3	
62 11G3133	NCA	SELECTOR, 3rd & 4th gear	1	
63 11G3131	NCA	SELECTOR, reverse gear	1	
64 22H746	NCA	ARM ASSEMBLY, interlock	1	
65 1G3611	NCA	SHAFT, input, 10 splined clutch	1	1500cc, 1600cc & early MkII
66 22H56	NCA	SHAFT, input, 23 splined clutch	1	MkII from (e) 16GC3929
66 1G3584	£8.40	NUT	1	
67 1A3717	£2.20	WASHER, locking	1	

ill.	Part Number	Price £ea.	Description	Req.	Details
68	6K885	£16.50	BEARING, input shaft	1	
69	6K886	NCA	CLIP	1	
70	6K907	NCA	SHIM, 0.002"	a/r	
71	8G2404	£0.65	ROLLER	18	
72	11G3035	NCA	MAINSHAFT, sliding joint type	1	1500cc To (c)20752
	11G3221	£200.90	MAINSHAFT, sliding joint type	1	1500cc From (c)20753, (G)A101 To end of 'GB' engine
	1H3277	NCA	MAINSHAFT, flanged type	1	From 'GD' engine
73	AEH3242	NCA	SPACER, mainshaft	1	
75	1A1964	£2.54	RESTRICTOR	1	

The factory manual recommends 30 grade engine oil for MGA gearboxes. Heavier oil will slow the gear change but its use is acceptable to quieten noisy gears. Use 40 or 50 grade oil.

76	11G3127	£6.70	WASHER, 0.157"	a/r	
	11G3128	£6.45	WASHER, 0.159"	a/r	
	11G3129	£6.45	WASHER, 0.161"	a/r	
77	1G3492	£9.50	THRUST WASHER, rear	1	
78	1G3268	NCA	PEG, front thrust washer	1	
79	2K8960	NCA	SPRING	1	
80	503791	£16.80	BEARING, mainshaft	1	
81	1G3586	NCA	HOUSING	1	
82	1G3530	NCA	PEG	1	
83	11G3223Z	NCA	SPACER	1	
84	1G3613	NCA	NUT	1	
85	1G3612	NCA	WASHER, locking	1	1500cc To (c)20752
86	11G3039	NCA	GEAR, speedo drive	1	
	11G3225	NCA	NUT	1	1500cc From (c) 20753 or (G) A101
	11G3226	NCA	WASHER, locking	1	To end of GB engine
	1H3151	NCA	GEAR, speedo drive	1	
	FNZ612	£2.45	NUT	1	
	WL600121	£0.50	WASHER, locking	1	1500cc From (e) GD101
	1H3151	NCA	GEAR, speedo drive	1	

The MGA rear oil seal changed three times. The first tailpieces were fitted with an internal flush seal made up of steel and rubber. The later, and by far most common 1500cc's used a flanged seal that mounted over the tailpiece end. The last change incorporated an internal flush fit seal similar to the first. Some care is needed in determining which seal is appropriate for your car, as the parts found in any particular MGA today are not always the same parts the car left the factory with.

87	WKN304	£0.71	KEY	1	
88	1H3241	NCA	PINION, speedo drive	1	
89	22A71	NCA	PINION HOUSING	1	
90	NKC105A	£3.44	SEAL, pinion	1	
91	2A3255	NCA	RING	1	
92	88G208	NCA	WASHER	1	
93	48G422	£155.00	FIRST GEAR, with hub	1	
	22H906	NCA	FIRST GEAR RING, without hub	1	
94	22H230	NCA	SECOND GEAR, improved type (Only use with 22H249 synchro ring).	1	
96	BLS109	£0.29	BALL	6	included in items
97	6K884	£0.71	SPRING	6	93 & 104 units
98	11G3063	£20.80	SYNCHRO RING, 2nd gear, brass (Only use with original gear).	1	
	22H249	£47.10	SYNCHRO RING, 2nd gear, steel (Only use with gear 22H230).	1	
99	11G3028	£16.70	BUSH, 2nd gear	1	
100	1G3594	NCA	THIRD GEAR	1	
101	11G3022	£20.00	SYNCHRO RING, 3rd & 4th gear	2	
102	11G3029	£18.60	BUSH, 3rd gear	1	
103	1G3331	£4.57	RING, interlocking	1	
104	48G438	NCA	SLIDING HUB & DOG, 4th gear	1	
108	1H3305	£19.40	LAYSHAFT, (0.645" dia.)	1	
	1H3305X	£31.50	LAYSHAFT, (0.645" dia.), uprated	1	hardened to 60-62HRC
109	22H54	£159.40	LAYGEAR	1	
110	AAU3052	NCA	BEARING, needle roller	3	
	3H2865	£12.17	BEARING, needle roller, uprated	3	
113	11G3027	£0.44	CIRCLIP	3	
114	1G3576	£6.90	THRUST WASHER, front	1	
115	1G3577	£8.34	THRUST WASHER, rear 0.155"	a/r	
	1G3578	£6.70	THRUST WASHER, rear 0.157"	a/r	
	1G3579	£8.34	THRUST WASHER, rear 0.160"	a/r	
	1G3580	£8.34	THRUST WASHER, rear 0.163"	a/r	
116	88G258Z	NCA	SHAFT, reverse gear	1	
117	1G3581	NCA	LOCK BOLT, reverse shaft	1	
118	AEC340	NCA	TAB WASHER	1	
119	22H83	£20.15	REVERSE GEAR	1	
120	11G3092	NCA	BUSH	1	
121	BH605101	£0.55	BOLT, gearbox to engine	7	
122	GHF332	£0.19	WASHER	7	
123	GHF201	£0.08	NUT	7	
125	AEG3101	£0.71	PIN	2	
127	AEG3112	£49.00	GEAR LEVER	1	
128	1G3706	£9.00	GEAR LEVER KNOB	1	reproduction of original, see Accessories section

ill.	Part Number	Price £ea.	Description	Req.	Details
129	FNP205	£1.24	NUT, chrome plated	1	
130	AEG3118	NCA	PLATE	1	
131	AEG3106	£16.35	PIN	2	
132	11G3144	£16.25	SPRING	1	
133	1G3927	NCA	RETAINER	1	
134	1H3087	£6.70	CIRCLIP	1	
135	AEG3120	NCA	PLUNGER, reverse selector	1	
136	1G3863	NCA	SPRING, plunger	1	
137	2K6534	NCA	PLUG, plunger	1	
139	BLS110	£0.29	BALL, plunger	1	
140	22A75	£1.24	SPRING, plunger	1	
143	BH605221	£0.55	BOLT, long	2	
145	AEG3113	NCA	CAP, remote damper	1	

Lubricating the remote control shaft and shift lever socket will improve the action of the shifter. Remove the control tower assembly and wash it out with solvent. Wipe dry and apply a small amount of white grease to the shaft near the bearing surfaces. Work the lever back and forth to distribute the lubricant. Apply also at the base of the gear change lever and gear change socket. If you are lacking white grease, ordinary engine oil will suffice.

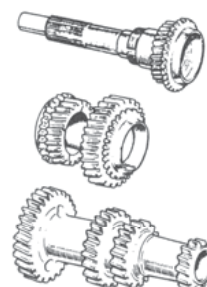
146	AEG3122	£0.94	WASHER	1	
147	AEG3124	NCA	PLUNGER	1	
148	AEG3123	£1.00	SPRING	2	
149	BLS108	£0.29	BALL	1	
150	AEG3114	NCA	SHAFT, remote control	1	
151	AEG3115	NCA	LEVER, front	1	
152	AEG3116	NCA	LEVER, rear	1	
156	14A1468	£5.00	GEARSHIFT BOOT	1	
157	AHH5388	£7.00	CHROME RING	1	
158	AHH5031	£12.00	GEARBOX MOUNTING	1	
159	BH608261	£1.64	BOLT, rear mounting	1	
160	GHF335	£0.24	WASHER	1	
161	GHF225	£0.50	NUT	1	

Straight Cut Close Ratio Gear Set*

This 4 piece gear set was primarily used on the MGA using the thinner (0.643") 3 bearing layshaft (part no. 1H3305) and is not supplied with 1st speed or reverse gears. The kit uses 4 caged needle rollers (part no. AAU3052) with 4 thin spacers and 1 long spacer and will not fit 3 synchro boxes with the thicker (0.6681") layshaft. The bronze 2nd gear baulk ring 11G3063 must be used as the synchro cone has not been metal sprayed. Modify standard thrust washers to suit. Also, EP80 oil should be used (no fancy stuff).

*Note: Straight cut gears are not for the faint hearted, they are noisy. They are really only suitable for racing.

STN70X	£1,661.00	GEAR SET, (straight cut)	1
--------	-----------	--------------------------	---



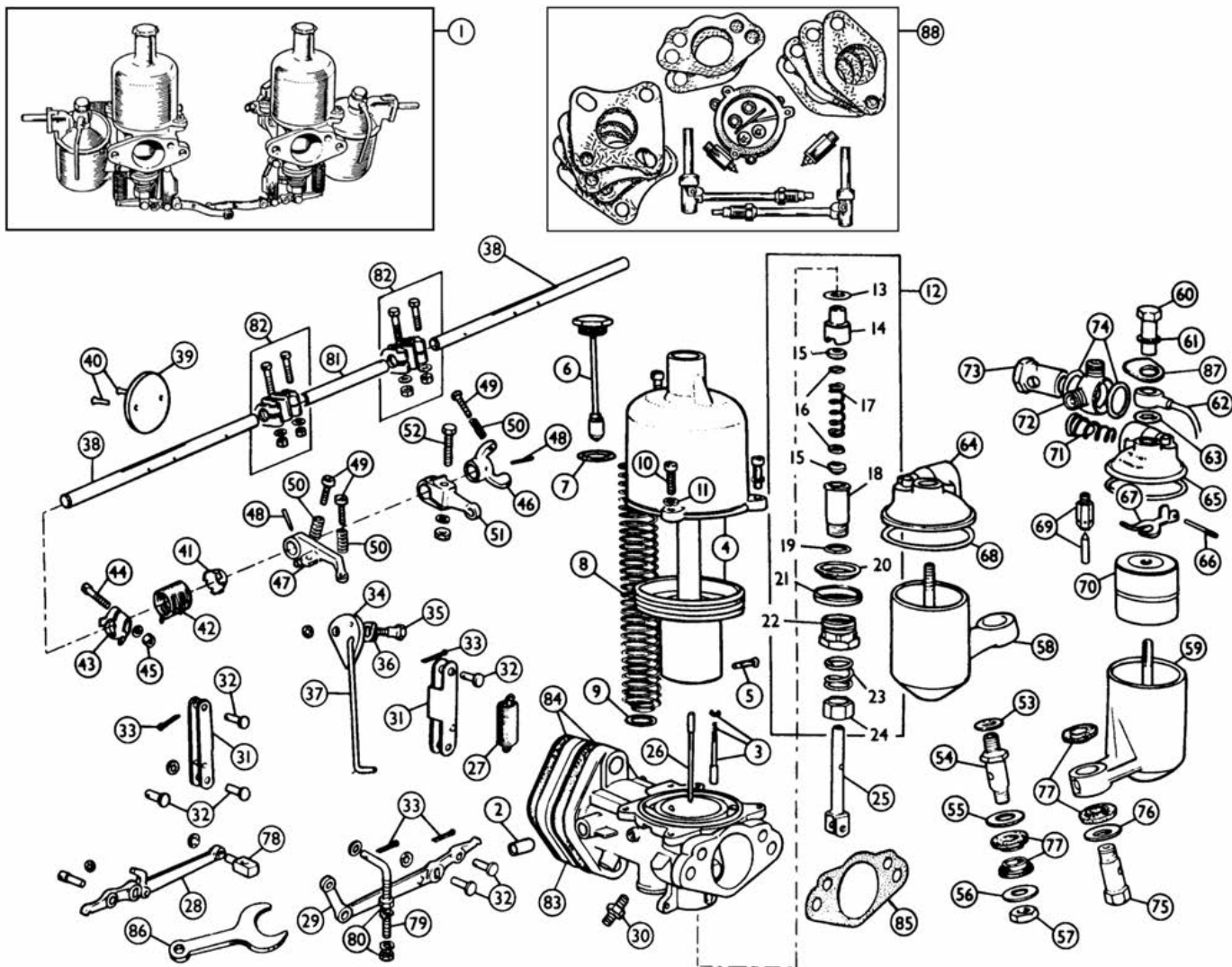
Helical Cut Close Ratio Gear Set

This 5 piece gear set was primarily used on the late competition MGA. It uses the thicker (0.6681") 4 bearing layshaft (part no. 88G400) and includes a straight cut 1st gear including the inner hub (part no. 48G422). The kit uses 4 caged needle rollers (part no. 22H471) with spacers. MGA (& MGB pre-1966) gearboxes will require machining to suit (refer to the MGB 'Special Tuning' handbook AKD4034 - First Edition). The bronze 2nd gear baulk ring (11G3063) must be used as the synchro cone has not been metal sprayed. Modify standard thrust washers to suit. EP80 oil instead of standard engine oil should be used in competition racing/rallying - no additives.

STN70	NCA	GEAR SET, (helical cut)	1
-------	-----	-------------------------	---

GEAR RATIOS	1st	2nd	3rd	4th
STANDARD RATIOS	3.64	2.21	1.37	1.00
CLOSE RATIOS	2.45	1.62	1.268	1.00

Never work under a car unless it is supported on stands intended for the purpose. Do not support a car on bricks, blocks, hollow tiles or other props that may crumble under a load. It is important to remember that a car jack (scissor, trolley or any other type) should only be used to change tyres or raise the vehicle into a safe position for insertion of more permanent supports. Under no circumstances should anyone work under a car that is supported solely by a jack.



Ill.	Part Number	Price £ea.	Description	Req.	Details
Carburettors					
1	AUC784T	£1,141.00	CARBURETTORS, pair, new	1	1500cc
	AUC943T	£1,020.00	CARBURETTORS, pair, new	1	1600cc & MkII
2	AUD3080	£2.77	BUSH, in carburettor body	4	
3	WZX1105	£6.00	PIN	2	
4	AUD9500	£316.20	CHAMBER & PISTON	2	
5	AUC2057	£1.33	SCREW, jet needle retaining	2	
6	AUC8102HB	£19.85	DAMPER, brass cap without vent	2	
	AUC8102A	£16.15	DAMPER, plastic cap without vent	2	
	AUC8114A	£14.80	DAMPER, plastic cap with vent	2	1600cc & 1600cc MkII
7	AUC2141	£0.40	WASHER, damper*	2	
8	AUC4387	£6.70	SPRING, red	2	
9	AUC3071	£1.44	WASHER	2	
(Used with original tapered-end springs only).					
10	JZX1394	£0.50	SCREW	6	
11	WL700101	£0.12	WASHER, locking	6	
12	WZX1593	£19.80	JET BEARING KIT*	2	inc. items 13 to 24 for one carb
13	AUC2122	£0.53	WASHER, copper, upper*	2	
14	AUC3230	£11.70	JET BEARING, upper	2	
15	AUC2120	£0.94	SEAL, cork*†	4	
16	AUC2119	£1.85	WASHER, cupped	4	
17	AUC1158	£2.84	SPRING, jet gland	2	
18	AUC3231	£6.90	JET BEARING, lower	2	
19	AUC3233	£3.22	WASHER, copper, lower	2	
20	AUC2118	£0.60	SEAL, cork*†	2	
21	AUC2117	£3.76	RING, sealing, (aluminium)	2	
22	AUC3232	£4.84	NUT, sealing	2	
23	AUC2114	£1.64	SPRING, mixture nut	2	
24	AUC2121	£3.35	NUT, mixture adjusting	2	
25	AUC8182	£12.60	JET, 0.090"	2	

Ill.	Part Number	Price £ea.	Description	Req.	Details
26	AUD1222	£9.50	NEEDLE, GS standard*	2	1500cc
	AUD1093	£11.40	NEEDLE, CC rich	2	
	AUD1003	£9.50	NEEDLE, 4 lean	2	
	AUD1005	£9.50	NEEDLE, 6 standard*	2	1600cc & 1600cc MkII
	AUD1295	£10.00	NEEDLE, RO rich	2	
	AUD1045	£10.00	NEEDLE, A0 lean	2	
27	AUC4667	£4.27	SPRING, return	2	
28	AUC5091	£10.60	LEVER, front	1	
29	AUC5092	£10.60	LEVER, rear	1	
30	AUC4490	£9.01	UNION, vacuum pipe	1	
31	AUC4819	£23.90	LINK	2	
32	AUC2381	£1.85	CLEVIS PIN	6	
33	GHF500	£0.12	SPLIT PIN*	8	
34	AUC4730	£20.15	CAM	1	
35	AUC3471	£5.34	BOLT	1	
36	AJD7722	£0.20	WASHER, double spring	1	
37	AUC4732	£8.81	LINK	1	
38	AUC3242	£14.20	THROTTLE SHAFT, standard	2	
	AUC3242RP	£14.20	THROTTLE SHAFT, oversize	2	for worn carb bodies
39	WZX1323	£11.70	DISC, throttle	2	
40	AUC1358	£0.72	SCREW	4	
41	AUC4770	£20.10	ANCHOR, spring	2	
42	AUC4781	£6.60	SPRING, front	1	
	AUC4782	£6.60	SPRING, rear	1	
43	AUC4771	£9.67	END CLIP	2	
44	AUC2669	£0.94	SCREW	2	
45	AJD8014Z	£0.19	NUT	2	
46	AUC2198	£18.20	STOP	1	
47	AUC4713	£51.20	LEVER	1	
48	AUC2106	NCA	PIN	2	
49	AUC3464	£0.80	SCREW	3	
50	AUC2451	£0.94	SPRING	3	
51	AUE180	£10.90	LEVER	1	

ill.	Part Number	Price £ea.	Description	Req.	Details
52	AUC2694	£0.55	BOLT	1	
53	AUC1384	£0.72	WASHER	2	
54	AUC1387	£8.20	BANJO BOLT	2	late type
55	AUC1389	£2.65	WASHER, upper	2	
56	GHF302	£0.30	WASHER, lower	2	
57	AJD8206Z	£0.41	NUT	2	
58	AUC3496	£139.20	FLOAT CHAMBER, front	1	
59	AUC3495	£139.20	FLOAT CHAMBER, rear	1	
60	AUC1867X	£4.88	BANJO BOLT	2	
61	AUC1557	£0.82	WASHER, aluminium*	2	
62	AUC1866	£13.05	OVERFLOW PIPE	2	
63	AUC1928	£1.55	WASHER, fibre*	2	
64	AUE478	£54.50	COVER, front, with lever	1	
65	AUE479	£54.50	COVER, rear, with lever	1	
66	AUC1152	£0.60	PIN*	2	
67	AUC1980	£11.90	FLOAT LEVER*	2	for original lids
	AUD2285	£3.66	FLOAT LEVER	2	for replacement lids
68	AUC1147A	£1.03	GASKET, cover*†	2	
69	WZX1101A	£9.00	NEEDLE & SEAT	2	standard
	GAC9201X	£9.50	GROSE JET	2	uprated
			(Superior replacement for original style needle & seat).		
70	WZX1303	£14.40	FLOAT	2	
71	AUC2139	£4.42	SCREEN	2	
72	AUC1832	£13.80	BANJO	1	
73	AUC2698	£2.90	BANJO BOLT, lid	2	
74	AUC2141	£0.40	WASHER*	4	early type
75	AUC1335	£8.15	BANJO BOLT, mounting	2	
76	AUC1337	£3.72	WASHER	2	
77	AUC1534	£1.20	RUBBER WASHER*†	4	
	WZX996	£11.00	TRUNNION	1	inc. items 78, 79 & 80
78	AUC4916	£5.70	TRUNNION	1	
79	AUC4915	£5.80	ROD, link	1	
80	AJD8012Z	£0.14	NUT	2	
81	AUC2433	£2.30	CONNECTING SHAFT	1	
82	AUE75	£16.20	COUPLING CLAMP	2	
83	AHH5713	£5.00	SPACER, carburettor to manifold	2	
84	AEH551	£0.70	GASKET, carburettor mounting*†	6	
85	12G2125	£0.29	GASKET, air cleaner mounting*†	2	
86	AUD2693	£2.68	JET ADJUSTING SPANNER	1	
87	CRCP395	£5.90	CARB 'ID TAG', (AUC 784)	2	1500cc
	CRCP393	NCA	CARB 'ID TAG', (AUC 943)	2	1600cc & MkII

Carburettor Rebuild & Gasket Kits

88	GAC2101X	£100.60	REBUILD KIT, 1500cc	1	inc. all items marked*
	GAC2102X	£100.60	REBUILD KIT, 1600cc/MkII	1	inc. all items marked*
	AUE801A	£11.50	GASKET SET	2	inc. all items marked†
	CRK205	£54.00	REPAIR KIT	2	alternative

SU Carburettor Choke Adjustment

Mixture adjustment and synchronisation of SU's seems to be widely understood. Of equal importance is the adjustment of the choke mechanism. If set too rich, the carburettor will fill the cylinders with raw fuel and dilute the engine oil, causing premature bearing, piston ring, and cylinder wear. If set too lean, the car is hard to start, which drains the battery and overheats the driver.

Of first consideration is the fit of the clevis pins in the choke levers. If these holes are excessively worn, the chokes will not operate through their entire range. New levers (AUC5091 & AUC5092) and clevis pins (AUC2381) are the cure for this problem.

Once the new parts are fitted, adjust the slack out of the choke linkage at the inter-connector link. Slacken the top and bottom so the linkage is 'relaxed', then tighten the bottom nut so that just a bit of pressure is brought to bear on the lever. Do not overcompensate, as this will 'pre-load' the chokes and cause over-rich mixtures. Once set to your satisfaction, run the top nut to the bottom as a lock nut. Now, hook up the choke cable. Give it a turn to the right to help the cable lock work, and don't get the cable too tight; leave a little slack.

The fast idle cam may be adjusted to suit weather conditions by moving the link rod to the appropriate hole. No.1 opens the butterfly a small amount slowly. No.3 opens it a large amount quickly. No.3 is intended for colder weather, no.1 for warmer climates. Yours may be set at no.2, where the majority were set to begin with. If so, you may want to leave it alone, as the no.2 setting seems to work in just about any climate. The fast idle screw should be set last of all and should be backed off completely when setting the idle, and synchronising the carburettors. Set the screw so it is about 1/32" shy of the cam. Smear a dab of light grease on the cam face. If the idle screws do not hold their setting, new springs are in order.

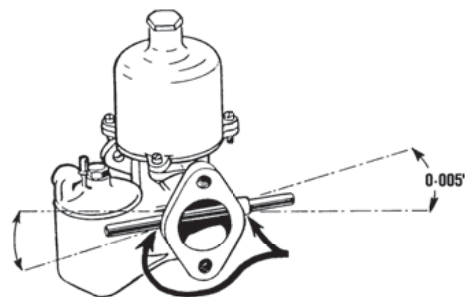
Complete Carburettor Rebuild

Re-bushing carburettor bodies and fitting new throttle shafts is a major part of a proper carburettor rebuild that is often overlooked. Air leaks due to worn bodies and shafts cause rough idle, poor performance and poor fuel economy.

Checking the shaft and body clearance is a simple matter of wiggling the shafts up and down. Any appreciable play indicates wear on the bushes and shafts. Some wear is to be expected, but performance is seriously affected when clearances are over 0.005". Verification is done with the engine running at idle speed. Spray the joints of the shafts with an aerosol carburettor cleaner. If your idle speed changes, there is a leak around the shafts.

If you can wiggle your throttle shafts an appreciable amount, they probably need to be replaced or the

ill.	Part Number	Price £ea.	Description	Req.	Details
------	-------------	------------	-------------	------	---------



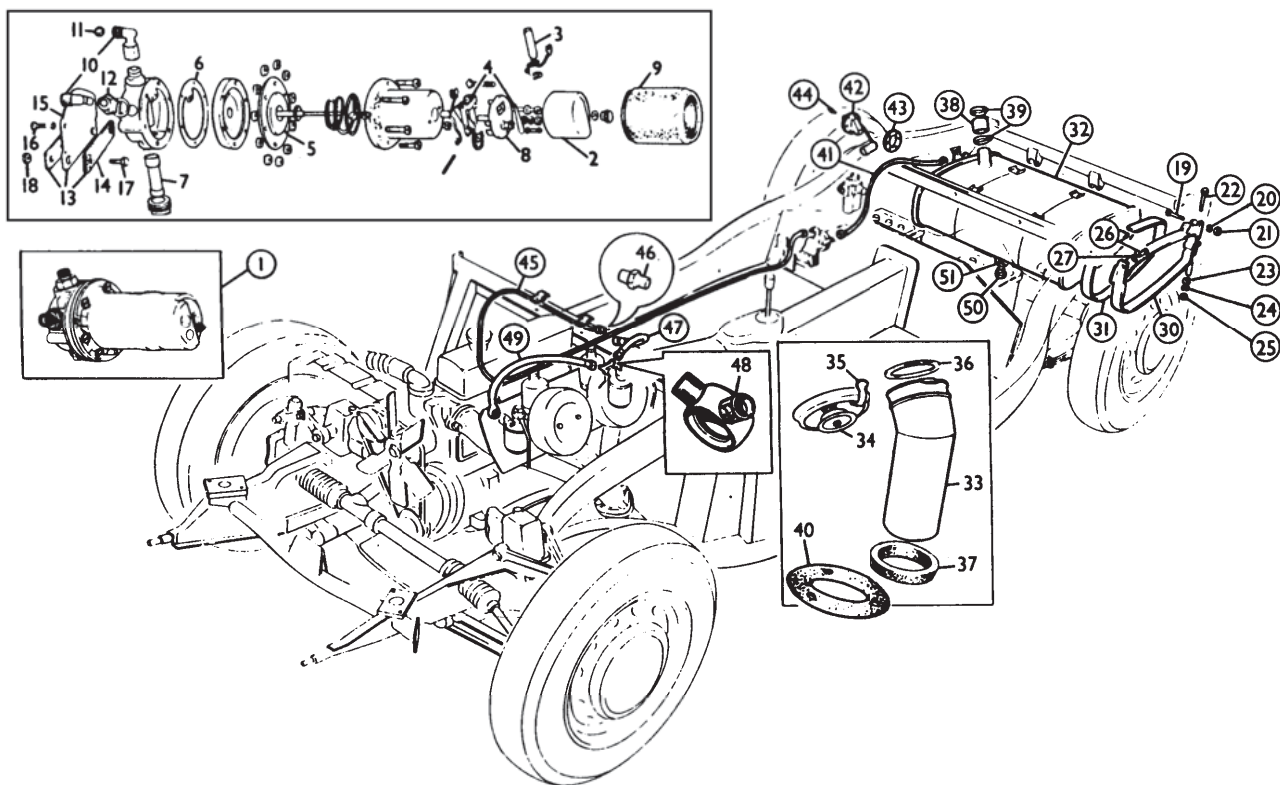
carburettor body re-bushed. Spray carburettor cleaner here- if your idle speed changes, then the throttle shafts leak. Quite often, the problem can be fixed by simply replacing the throttle shafts. Remove the couplings and springs from the shafts and clean the exposed portions of the shafts.

Mark the butterfly plates with a felt-tip pen to record which way they face and which end is installed upwards, then remove the two securing screws. Pull the plates out, and slide the shafts sideways until a clean unworn section of the shaft is in each side of the body. Now wiggle them up and down and back to front to gauge whether any play is present. If none, a new set of standard shafts should solve the problem. Oversize shafts (if not already fitted) can be purchased to take up a small amount of play. Standard shafts measure 0.310", while the oversize shafts are appropriately larger. (Not all oversize shafts are exactly the same size.) If the bodies and shafts are both worn, the carburettor bodies require re-bushing.

To re-bush bodies, the old bushes (or the bodies, if your carburettors don't have bushes) must be drilled out, just short of entering the venturi to a diameter just smaller than the bush diameter. Since each side of the carburettor must be drilled separately, accurate alignment of the two holes is difficult to maintain. We have found that an easy way to do this is to chuck the proper sized drill in a lathe, and run the carburettor body into the drill with the tail-stock centre. New bushes (part No AUD3080) are then pressed into the bodies, and reamed to fit the new spindles with the minimum clearance which allows rotation of the spindle. This is best accomplished with a 5/16" adjustable reamer with a pilot long enough to ride in the opposing bush. Sometimes it is necessary to lap the spindle in the bushes. This is done by chucking the spindle in a hand drill and running it dry in the reamed bushes. Do not use any abrasive compound, the dark oxide that is formed will be enough. Add a drop of oil, and continue until the shaft rotates freely in the bushes. Refit the butterfly plates and drill the shaft for the adjusting levers, drill the taper pin holes with the throttle completely closed. The drilling is best done from the underside on a drill press with the parts clamped in a jig. The hole must be drilled exactly on centre or the shaft will be spoiled.

After re-installation of the throttle plates and return springs, the rest of the carburettor rebuild is routine. Keep in mind that the throttle plates must be centralised before the screws are tightened.

If all of this seems rather complex, it is. Re-bushing carburettors takes patience, specialised tools, and experience. The easiest alternative for the average enthusiast is to buy a pair of re-bushed carburettor bodies or rebuilt carburettors.



ill.	Part Number	Price £ea.	Description	Req.	Details
Fuel Tank, Pump & Pipes					
1	AZX1331	£110.00	FUEL PUMP, new	1	dual polarity
	AZX1331EN	£117.50	FUEL PUMP, new, electronic	1	negative earth
2	AUA5078	£7.32	CAP, stepped	1	
	AUA1466	£8.95	CAP, flat	1	
3	CZX1004	£8.34	DIODE, negative earth	1	
	CZX1005	£9.56	DIODE, positive earth	1	
4	AUB6106A	£11.00	POINT SET	1	
5	WZX1710	£28.00	DIAPHRAGM, fuel pump	1	shaft length 2 3/8"
6	AUA4082	£1.03	GASKET, body	1	
7	AUA1464	£7.27	SCREEN, filter	1	
8	AUB6034	£11.82	PEDESTAL	1	
9	ACG5147	£8.15	BOOT, fuel pump cover	1	
10	MM375-038	£14.10	UNION, (3 piece)	2	inc. items 10, 11 & 12
11	TL8	£1.33	OLIVE	2	
12	AAA17	£3.62	NUT	2	
13	AAA1477K	£21.00	MOUNTING KIT, fuel pump	1	inc. items 14 to 18
14	AAA260	£2.15	PAD, pump mounting*	2	
15	AAA261	£3.72	PLATE, retaining pad	1	
16	AJD6155Z	£0.70	SCREW, plate to pump	2	
17	GHF101	£0.19	SCREW, pads to plate	2	
18	GHF221	£0.24	NUT, nyloc	2	
19	GHF118	£0.40	BOLT	2	
20	GHF332	£0.19	WASHER, locking	2	
21	GHF200	£0.12	NUT	2	
22	BH604221	£0.62	BOLT	2	
23	GHF300	£0.12	WASHER, plain	2	
24	GHF331	£0.12	WASHER, locking	2	
25	GHF200	£0.12	NUT	2	
26	SH605051	£0.20	SCREW	2	
27	GHF332	£0.19	WASHER, locking	2	
30	AHH5107	£46.20	STRAP, tank mounting	2	
31	AHH5115	£4.37	PACKING, fuel tank straps*	2	
32	AHH5121	£133.55	FUEL TANK, steel	1	
	AHH5121A	£457.00	FUEL TANK, aluminium	1	
33	AHH5104	£44.00	EXTENSION, original type	1	
34	ACH5781	£11.50	FUEL CAP, original type	1	
35	97H474	£2.29	LEVER, fuel cap	1	
36	ACH5850	£1.94	SEAL, fuel cap, (cork)	1	
37	ACH5780	£2.98	FERRULE, extension to body*	1	rubber
38	650279	£4.80	HOSE, extension to tank	1	
39	CS4038	£1.85	CLAMP, hose	2	
40	AHH5260	£2.92	SEAL, filler pipe, on boot floor*	1	

ill.	Part Number	Price £ea.	Description	Req.	Details
41	AHH5290	£15.00	FUEL PIPE, tank to pump	1	
42	AHH5114	£38.20	SENDER UNIT, fuel gauge	1	original
	AAU8340	£26.40	SENDER UNIT, fuel gauge	1	replacement
43	2H1082	£0.38	GASKET, sending unit	1	
44	53K165	£0.71	SCREW	6	
45	AHH5288	£26.90	FUEL PIPE, pump to flex pipe	1	
46	AHH5288X	£6.15	UNION	1	
47	AHH5544	£12.50	FUEL PIPE, pipe to carburettor	1	
48	AUC1832	£13.80	BANJO UNION	1	
49	ACH8977	£14.10	FUEL PIPE, (carb to carb)	1	
50	88G257	£1.60	DRAIN PLUG	1	
51	6K638	£0.22	WASHER, drain plug	1	
	NI 608591A	£30.50	SEALANT, fuel tank	1	see Accessories section for full product range

*Note: See also 'Front Body Fittings' on page 45 and 'Rear Body Fittings' on page 46.

Diagnosing Fuel Pump Problems

Most fuel pump problems are best cured by a direct replacement of the pump. A brief trouble shooting session will help you determine if a fuel pump is needed, or if you have a problem that can be easily fixed.

No click

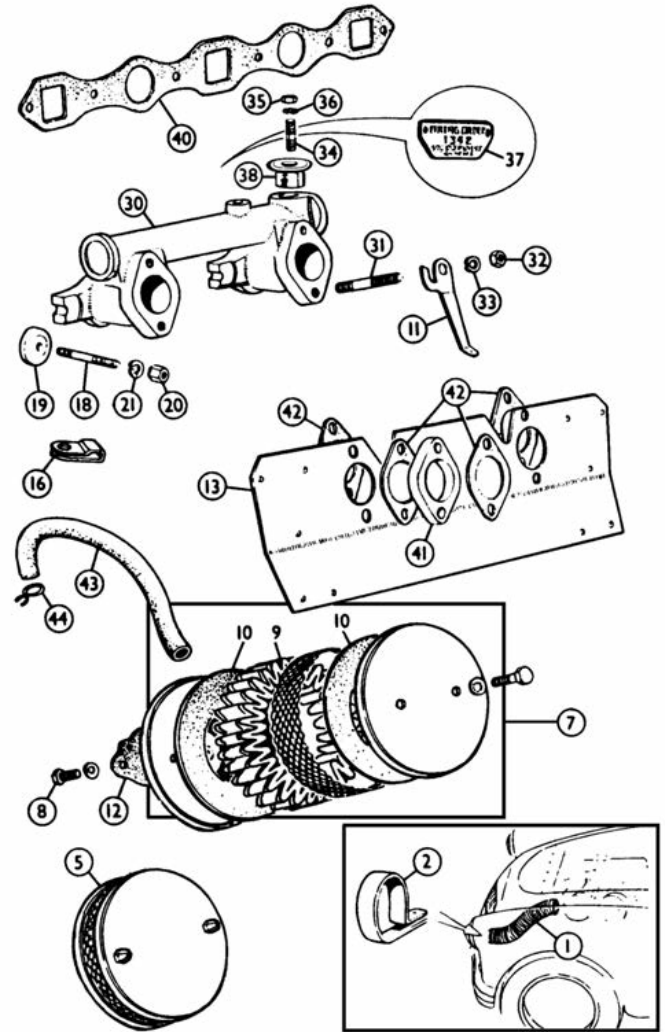
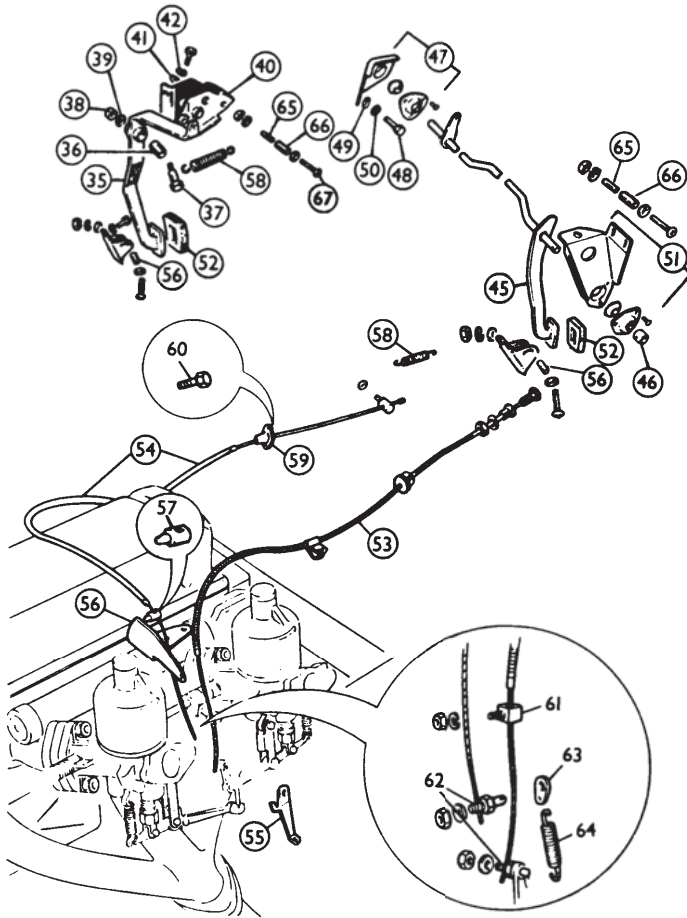
Check the electrical supply to the pump. Check the earth connection and the fuse. Tap the pump. If the pump starts, the points need replacing or there is a bad electrical connection. Disconnect the fuel pipe at the carburettor. If the pump now works, it is likely that there is a stuck float needle valve.

No Fuel

If the electrical parts check out okay and the pump either does not click at all, or stops clicking after a brief moment, the delivery pipe from the tank may be clogged. Check the pipe and the tank for foreign matter or obstructions. Blow through the delivery pipes into the tank. If the pump runs again momentarily, then the obstruction is probably in the tank. See that the filter in the pump is clean.

Pump won't shut off

If the pump will not shut off, there is an air leak. Air leaks are common at the inlet and outlet elbows. A float needle that is stuck open will also cause the pump to run. This will be immediately evident as fuel will pour out of the overflow. A pair of Grose Jets (GAC9201X) will eliminate this problem. If you choose not to use Grose Jets, see that the overflow tubes are in good condition, (part no. AUC1866) as otherwise the fuel will be sprayed over the hot exhaust manifold and exhaust pipe. Occasionally a pump will be able to rid itself of air bubbles. After working on the fuel system, run the pump and loosen the front carburettor connection. Tighten this fitting as the pump runs. This will 'bleed' the fuel system of air.



iii. Part Number Price £ea. Description Req. Details

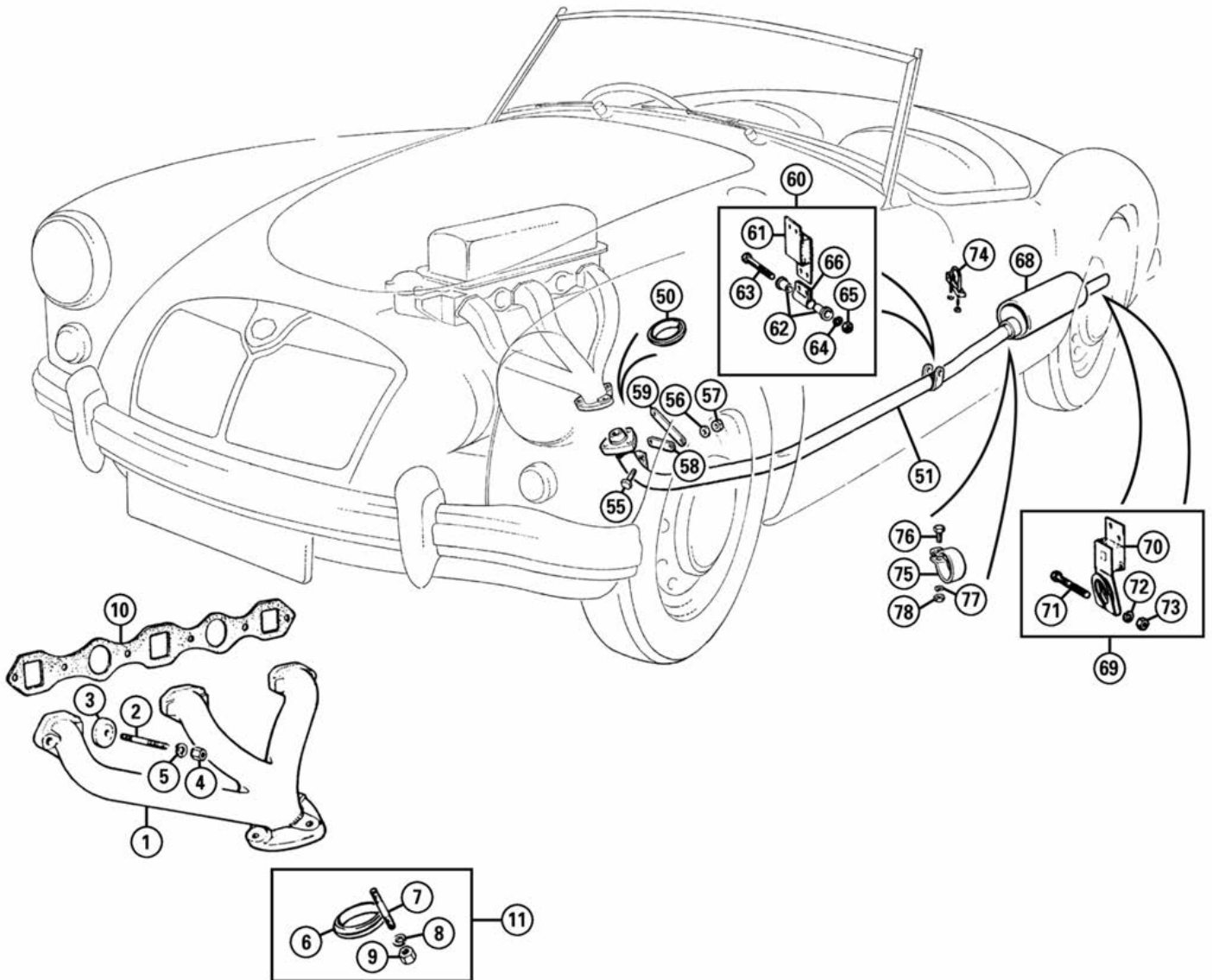
Engine Controls

35	AHH5300	£38.80	ACCELERATOR PEDAL	1	
36	AHH5301	£2.20	BUSH	1	
37	AHH5306	£3.82	FULCRUM PIN	1	
38	GHF201	£0.08	NUT, plain	1	RHD models
39	GHF332	£0.19	WASHER, locking	1	
40	AHH5302	£30.20	BRACKET, pedal mounting	1	
41	GHF300	£0.12	WASHER, plain	4	
42	GHF331	£0.12	WASHER, locking	4	
45	AHH5311	NCA	ACC' PEDAL & CROSS-SHAFT	1	
46	AHH5314	NCA	COLLAR, locating	1	
47	AHH5320	NCA	BRACKET, including pivot, RH	1	
48	SH604051	£0.19	SCREW, bracket to chassis	5	LHD models
49	GHF300	£0.12	WASHER, plain	5	
50	GHF331	£0.12	WASHER, locking	5	
51	AHH5321	NCA	BRACKET, including pivot, LH	1	
52	GPR105A	£0.98	PEDAL PAD, accelerator	1	
53	AHH5333	£10.50	CHOKE CABLE, RHD	1	
	AHH5336	£12.00	CHOKE CABLE, LHD	1	
54	AHH5625	£4.05	ACCELERATOR CABLE	1	
55	AHH5339	£10.00	BRACKET, anchor	1	accelerator spring
56	AHH5310	£25.90	BRACKET, cable	1	
57	ACA5289	£5.00	CABLE ANCHOR	1	
58	AHH5624	£5.60	SPRING, pedal return	1	
59	AHH5308	£4.43	GUIDE, accelerator cable	1	
	ACA5073	£0.94	GASKET, accelerator cable guide	1	
60	PMZ308	£0.18	SCREW, for guide	2	
61	ACH5112	£7.80	TRUNNION	1	
62	ACC5062	£1.75	CABLE STOP	2	
63	12A4	£1.60	BRACKET, accelerator spring	1	
64	AHH5621	£4.21	SPRING, accelerator return	1	
65	AHH5303	£3.14	DISTANCE TUBE, pedal stop	2	
66	AHH5304	£2.20	STOP, accelerator pedal, (rubber)	1	
67	SE604121	£0.82	SCREW, pedal stop	1	

iii. Part Number Price £ea. Description Req. Details

Air Cleaners & Inlet Manifold

1	AHH5394	£17.60	AIR HOSE, grille to carb	1	
2	AHH5714	£2.30	CLAMP, air hose	1	
5	SGPF102	£9.30	AIR FILTER, chrome, (accessory)	2	see Accessories section
7	AHH5147	£43.00	AIR FILTER, front, original type	1	
	AHH5148	£43.00	AIR FILTER, rear, original type	1	
8	GHF120	£0.19	BOLT, air filter to carburettor	4	
9	AHH5442	£10.60	ELEMENT, for original filter	2	
10	AHH5441K	£13.20	FELT PAD SET	1	not included with air filters
11	AHH5339	£10.00	BRACKET, anchor	1	accelerator spring
12	12G2125	£0.29	GASKET, filter to carburettor	2	
13	AHH5533	£38.00	HEAT SHIELD, with asbestos pads	1	
16	AHA8683	£2.87	CLIP, overflow tube	1	side of the block
18	FHS2515	£0.80	STUD, long	4	manifolds
	FHS2513	£0.83	STUD, short	2	to head
19	1G2418	£1.10	WASHER, manifold stud	4	
20	AHH8382	£3.14	NUT, manifold stud	6	
21	GHF332	£0.19	WASHER, locking	4	manifold stud
30	AEH660	NCA	INLET MANIFOLD	1	
31	53K2236	£1.80	STUD, carburettor mounting	4	
32	GHF202	£0.12	NUT, carburettor stud	4	
33	GHF333	£0.19	WASHER, locking, carburettor stud	4	
34	AHH5299	£4.21	STUD, accelerator bracket	1	
35	GHF202	£0.12	NUT	1	
36	GHF332	£0.19	WASHER, locking	1	
37	CRB204	£5.34	ID PLATE, inlet manifold	1	1500cc
	CRB205	£5.34	ID PLATE, inlet manifold	1	1600cc & MkII
38	AEH281	£4.21	PLUG ADAPTOR	1	
40	GEG602	£3.50	GASKET, manifold	1	
	GEG602Z	£2.54	GASKET, manifold, aftermarket	1	
41	AHH5713	£5.00	SPACER, carburettor to manifold	2	
42	AEH551	£0.70	GASKET	6	
43	ACA5524	£5.80	BREATHING HOSE	1	
44	ACA5290	£1.03	CLAMP	2	



Part Number	Price £ea.	Description	Req.	Details
Exhaust Manifold				
Standard Manifold				
1 48G143	£92.70	EXHAUST MANIFOLD	1	
2 FHS2515	£0.80	STUD, long	4	exhaust manifold
FHS2513	£0.83	STUD, short	2	to head
3 1G2418	£1.10	WASHER, exhaust manifold stud	4	
4 AHH8382	£3.14	NUT, manifold stud, (steel)	6	alternatives
GHF261	£0.30	NUT, manifold stud, (brass)	6	
5 GHF332	£0.19	WASHER, locking	4	exhaust manifold stud
6 GEX7196	£3.00	SEALING RING, pipe to manifold	1	
7 AEH194	£1.55	STUD, exhaust pipe flange	3	
8 GHF333	£0.19	WASHER, locking	3	
9 GHF202	£0.12	NUT, exhaust pipe flange	3	alternatives
GHF262	£1.03	NUT, exhaust pipe flange, brass	3	
10 GEG602	£3.50	GASKET, manifold	1	
GEG602Z	£2.54	GASKET, manifold, aftermarket	1	
11 GEK1008	£10.50	EXHAUST FITTING KIT, front	1	
Sports Manifold				
NI STR633	£270.00	TUBULAR MANIFOLD, (3 branch)	1	mild steel
NI STR633SS	£409.40	TUBULAR MANIFOLD, (3 branch)	1	stainless steel

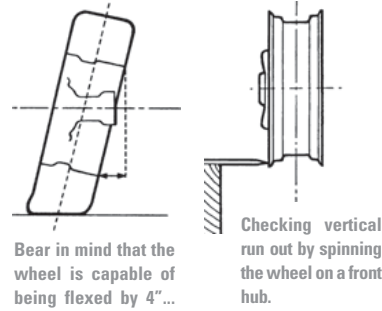
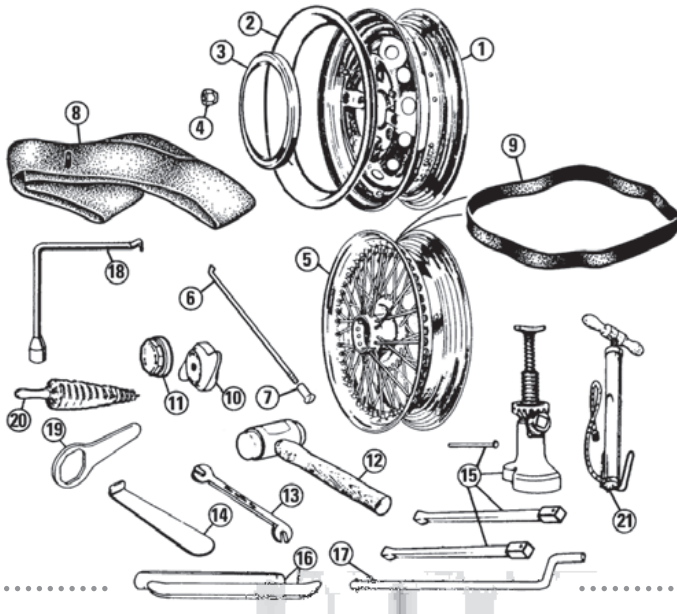
Exhaust System

Standard Exhaust System

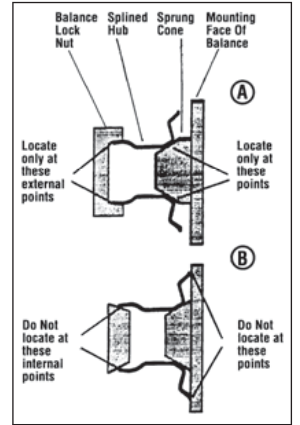
50 GEX7196	£3.00	SEALING RING, pipe to manifold	1	
51 GEX1315	£46.20	FRONT PIPE, mild steel	1	one-piece

Part Number	Price £ea.	Description	Req.	Details
FSMG17	£74.50	FRONT PIPE, stainless steel	1	} with slip joint
FSMG15	£51.80	FRONT PIPE, stainless steel	1	
FSMG16	£34.70	INTERMEDIATE PIPE, stainless steel	1	
55 SH605051	£0.20	SCREW	1	
56 GHF332	£0.19	WASHER	1	
57 GHF201	£0.08	NUT	1	
58 AHH5407	£4.42	STRAP, short	1	
59 GEX7185	£8.15	STRAP, long	1	
60 GEK1002	£7.00	EXHAUST FITTING KIT, intermediate	1	
61 GEX7204	£2.40	MOUNTING	1	
62 GEX7182	£4.21	BUSH, centre mounting	2	
GEX7182K	£2.80	BUSH & CLIP KIT	1	inc. 2 x item 62: 1 x item 66
63 BH605221	£0.55	BOLT	1	
64 GHF332	£0.19	WASHER	1	
65 GHF201	£0.08	NUT	1	
66 GEX7183	£1.55	BRACKET	1	
68 GEX3264	£60.30	SILENCER, mild steel	1	
FSMG18	£105.35	SILENCER, stainless steel	1	
69 GEK1009	£8.80	EXHAUST FITTING KIT, rear	1	
70 GEX7188	£5.80	HANGER	1	
71 BH604221	£0.62	BOLT, rear hanger	1	
72 GHF331	£0.12	WASHER	1	
73 GHF200	£0.12	NUT	1	
74 GEX9008	£0.60	CLAMP, replacement type	1	
75 GEX7506	£2.05	CLAMP, original type, less bolt	1	
76 BH605221	£0.55	BOLT, for original clamp	1	
77 GHF332	£0.19	WASHER	1	
78 GHF201	£0.08	NUT	1	

Note: See the Accessories section for complete systems. For MGA Twin Cam please refer to page 59.



Bear in mind that the wheel is capable of being flexed by 4" ... it is then supposed to return to the original shape!



iii. Part Number Price £ea. Description Req. Details

Road Wheel & Tools

Note: Please see the Accessories section for our full range of alloy wheels.

iii.	Part Number	Price £ea.	Description	Req.	Details
1	ACH8004	N/A	WHEEL, steel, round holes, 15" x 4"	5	To 63576
	AHH8010	N/A	WHEEL, steel, oval holes, 15" x 4"	5	From 63577
2	502160Z	£50.00	WHEEL TRIM, chrome, 15"	4	
3	88G290	£18.20	HUB CAP, steel wheel	4	
4	88G276	£1.85	NUT, steel wheel	16	
5	WWP450	£154.80	WIRE WHEEL, painted, 15" X 4"	5	48 spoke wheel
	WWC450	£211.00	WIRE WHEEL, chrome, 15" X 4"	5	factory option
	WWP452	£154.20	WIRE WHEEL, painted, 15" X 4.5"	5	60 spoke wheel
	WWC452	£222.20	WIRE WHEEL, chrome, 15" X 4.5"	5	optional upgrade
	WWP459	£189.90	WIRE WHEEL, painted, 15" X 5"	5	72 spoke wheel
	WWC459	£277.20	WIRE WHEEL, chrome, 15" X 5"	5	optional upgrade
6	7H1805	£3.90	SPOKE, outer/long, mild steel	a/r	48 spoke painted
	7H1806	£3.91	SPOKE, inner/short, mild steel	a/r	wire wheels
	7H1805CP	£7.12	SPOKE, outer/long, chromed stainless	a/r	48 spoke chrome
	7H1806CP	£7.12	SPOKE, inner/short, chromed stainless	a/r	wire wheels
	17H8619	£3.82	SPOKE, outer/long, mild steel	a/r	60 spoke painted
	17H8620	£3.91	SPOKE, inner/short, mild steel	a/r	wire wheels
	17H8619CP	£7.12	SPOKE, outer/long, chromed stainless	a/r	60 spoke chrome
	17H8620CP	£7.52	SPOKE, inner/short, chromed stainless	a/r	wire wheels
	37H3650	£7.12	SPOKE, outer/long, chromed stainless	a/r	72 spoke chrome
	37H3649	£7.60	SPOKE, inner/short, chromed stainless	a/r	wire wheels
7	7H1709	£0.40	NIPPLE, mild steel	a/r	painted wire wheels
	37H3651	£1.64	NIPPLE, chromed stainless	a/r	chrome wire wheels
8	452-755	£12.60	INNER TUBE, 15" X 165 tyre	a/r	
	452-765	£20.90	INNER TUBE, 15" X 185 tyre	a/r	
9	452-750	£10.60	RIM BAND, 15"	a/r	
10	AHH7317A	£23.80	SPINNER, 2-eared, RH	2	with MG logo
	AHH7318A	£23.80	SPINNER, 2-eared, LH	2	
	AHH7317	£24.50	SPINNER, 2-eared, RH	2	
	AHH7318	£24.50	SPINNER, 2-eared, LH	2	plain
	AHH73173	£48.20	SPINNER, 3-eared, RH	2	
	AHH73183	£48.20	SPINNER, 3-eared, LH	2	
11	AHH7315A	£24.00	SPINNER, octagonal, RH†	2	with MG logo
	AHH7316A	£24.00	SPINNER, octagonal, LH†	2	
	AHH7316	£24.00	SPINNER, octagonal, LH†	2	plain
	AHH7315	£24.00	SPINNER, octagonal, RH†	2	
12	11B5166	£25.00	HAMMER, copper/copper	1	as original, 2.7 lbs.
	C27290	£25.00	HAMMER, copper/hide	1	2 lbs.
13	MM385-800	£9.50	SPANNER, spoke adjusting	1	

†Note: Octagonal 'safety' knock-on's are required in some countries. Use with spanner (AHH5839 - item 19).

#Note: This wide-faced spanner is the correct size to turn tight spoke nipples without rounding them off, and the 7" length provides good leverage. Quality steel is used and the spanner is nicely plated, plus we guarantee it for life!

14	11H1051	£4.20	TOOL, hub cap remover	1	
15	AHH5124K	£106.60	JACK, (inc. 2 piece handle & bar)	1	
16	AJJ281K	N/A	TYRE IRON SET	1	
17	AHH5080	£55.00	STARTING HANDLE	1	faithful repro of original
18	31G5961	N/A	WHEEL BRACE	1	steel wheels only
19	AHH5839	£5.90	SPANNER, octagonal spinner	1	wire wheels only
20	GAC4089	£9.01	BRUSH, wire wheels	1	
21	523638A	N/A	TYRE PUMP	1	

iii. Part Number Price £ea. Description Req. Details

So You Think You've Got Wobbly Wire Wheels? (By Pete Cox)

Back in the good old days when Pete Buckles and myself were young lads, we were able to buy virtually direct from Dunlop, so the wire wheels were inexpensive. These British made wheels were sold mostly to the TR Register members at insanely low prices. 4.5" x 60 spoke wire wheels went out at £4.10.0d!, with no VAT to pay and, we still made a pound on each wheel! The low prices enabled me to indulge in experiments: if they didn't work (or fit), offending wheels would always be 'sold on' and a couple of 'bob' profit could still be made.

Now, wire wheels are built to flex (or bend) and this was brought shockingly home to me on one occasion when Pete Buckles visited me in Birmingham (remember Claggate Lane?). We were off to visit a supplier (who incidentally, still stamps out trunnion blanks for Moss). Pete's TR3 followed my TR2 down an interestingly twisty road which I happened to know particularly well, and after exiting a seriously exciting corner I looked in the mirror to check on the progress of our illustrious leader, and was horrified to see his car in a lurid slide (he maintained it was under control) with its outside front wheel keeling over at a crazy angle, almost 6° off vertical. This memory has remained vivid ever since, and is one explanation why Moss Europe (formerly Cox & Buckles) do not sell second hand or reconditioned wire wheels.

If it is assumed that both hub & rim of a wire wheel are in good condition, it may be worth having the wheel re-spoked 'as necessary' and then trued up by a competent re-builder. The wheel will probably need shot blasting and stove enamelling which will bring the cost to near to (or possibly over) the price of a new wheel. Remember also that you have got a used, worn wheel, not a nice new one. Bear in mind then, that the wheel is capable of being flexed by 4" (i.e., the hub is fixed and the top of the wheel is 4" further out than the bottom), while it is rotating at speed on the road, and it is then supposed to return to the original shape. NOW decide if you still want the wheel re-built! We certainly would not want to guarantee one.

Slight sideways run-out (or 'out of true') with wire wheels is therefore not significant. A couple of hard corners will soon re-arrange the wheel spokes anyway. Vertical 'run out' should not be permitted, ever. By far the most common cause of wire wheel 'wobbles' is an incorrect method employed in balancing. A simple spirit level balancer is the thing to seek out. Under no circumstances should balancing be attempted on the now common dynamic machine without the use of the special sprung cones shown in the illustration, because, although the wheel locates correctly on its inner coned surface, these machines 'try' and locate onto the inside of the wire wheels outer flange - which is NOT a true machined surface. This incorrect technique appears as terrific sideways run-out and the balancing 'specialist' always blames the wheel. Now you know the truth. It is always best to check the wire wheel by clamping it onto a front hub, using the correct knock-on nut BEFORE fitting the tyre. Spin the wheel on the hub and check sideways or vertical run-out (as shown in the illustration), and observe or measure the run-out. + or - 1/16" is not a problem, even +/- 1/8" is barely detectable on the road.

On conclusion our new wire wheels are built and assembled to the highest standards. When your wheel/tyre fitter says they are no good, there is a very, very strong chance that he is not using the equipment in a fashion which is appropriate for wire wheels. The above tips will allow you to check the 'truth' of the wire wheel, whether the wheel is new or used. It's a sad truth wire wheels have a bad reputation that they don't deserve, but the people who give them a bad reputation, actually deserve it themselves. We have total confidence in the Dunlop product we sell.

We show here the advice given to tyre fitters, produced by Motor Wheel Service. How To Balance Centre Lock Wire Wheels.

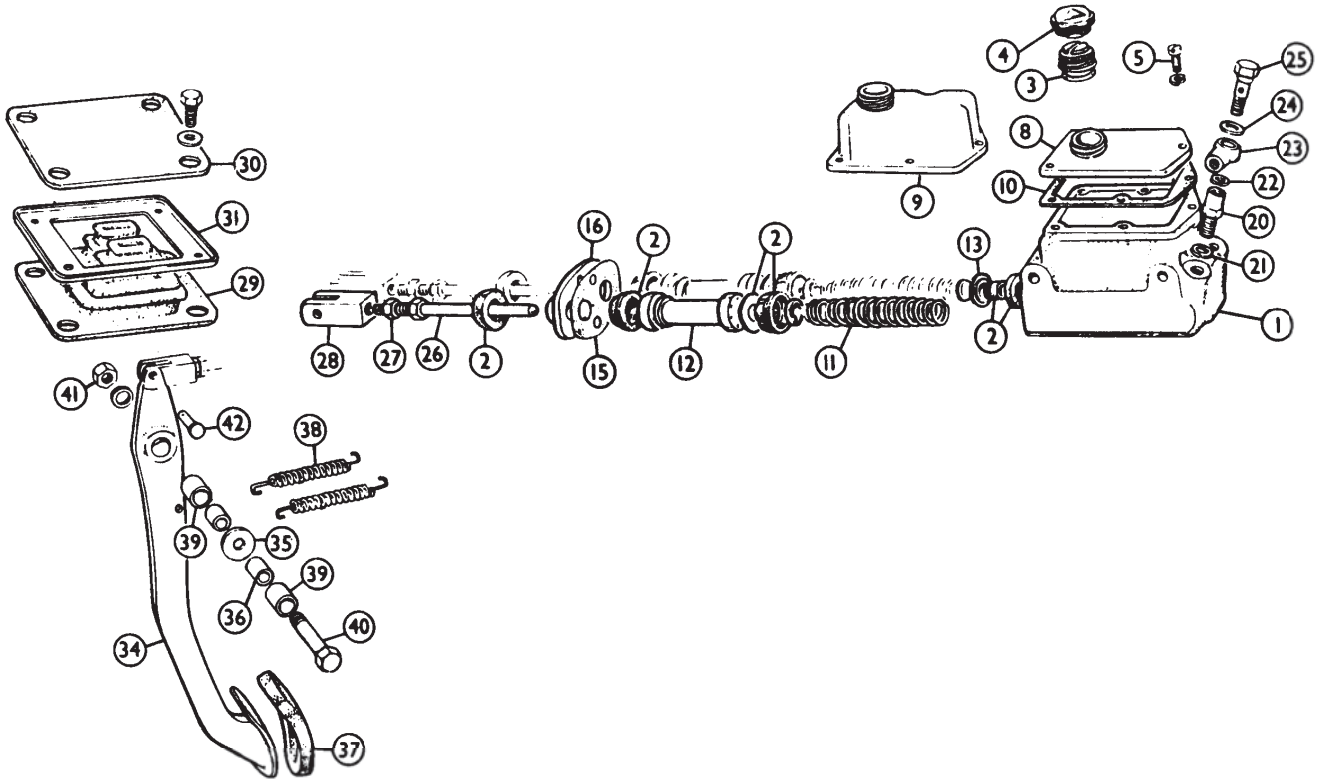
These notes are intended as a guide in helping to solve problems that are commonly encountered when balancing centre lock wire wheels on a electronic balancer. The diagrams show the centre spline of a wire wheel attached to a balancer.

Diagram A (Above)
Diagram B (Above)

Is the correct method of locating the wheel.
Shows the wrong method and one which gives false readings, giving the appearance of untrue or wheels that require large amounts of weights to balance the wheel.

Points To Check

- The original high degree of balance may be affected by wheel damage as well as by factors related to the tyres uneven tread wear, cover or tube repairs.
- If roughness or high speed steering troubles develop, and this cause is not disclosed by mechanical investigation, then the complete tyre & wheel assembly should be checked for balance.
- It is IMPERATIVE that the hubs are located in the balancing machine in exactly the same manner as located on the car, and the factory truing jigs. Alternatively, balance on the vehicle, this operation can only be done on the front wheels.



iii. Part Number Price £ea. Description Req. Details

Brakes & Clutch

Clutch & Brake Fluids

When did you last change your Clutch/Brake fluid?

DOT3 fluid ought to be completely discarded, DOT4 ('GBF4') should be installed and replaced every 2 years, as recommended by manufacturers. An alternative, especially if you are replacing master cylinders, brake calipers and/or wheel cylinders, is to thoroughly flush out the pipes and install Silicone fluid (DOT5 'ABF'), which is 'Non-Hygroscopic', so it doesn't promote rust problems in the hydraulic system. The bonus is that it won't damage paint work.

When silicone is in use it will provide years of trouble free braking and an end to the monotonous and expensive pastime of repairing or replacing worn or leaking hydraulic components. Racing Fluid (DOT5.1 'GBF5') really is the ultimate in brake fluid. Its anti-boil properties mean that even when the brakes get hot the fluid will remain efficient, rather than boiling locally (such as in the calipers) into useless vapour. Ideal on the race track or when the brakes are used to their limits. Due to its high 'Hygroscopic' nature, DOT5.1 Racing fluid should be replaced annually otherwise the quality and effectiveness will be drastically reduced.

Brake/Clutch Fluid (DOT4 Specification)

NI GBF4102	£5.45	BRAKE/CLUTCH FLUID, DOT4	a/r	500ml
NI GBF4103	£10.74	BRAKE/CLUTCH FLUID, DOT4	a/r	1 litre
NI GBF4104	£42.00	BRAKE/CLUTCH FLUID, DOT4	a/r	5 litre

Silicone Brake/Clutch Fluid (DOT5 Specification)

NI ABF3	£18.00	BRAKE/CLUTCH FLUID, DOT5	a/r	silicone, 500ml
NI ABF4	£30.00	BRAKE/CLUTCH FLUID, DOT5	a/r	silicone, 1 litre

Racing Brake/Clutch Fluid (DOT5.1 Specification)

NI GBF5102	£7.62	BRAKE/CLUTCH FLUID, DOT5.1	a/r	racing, 500ml
NI GBF5103	£14.25	BRAKE/CLUTCH FLUID, DOT5.1	a/r	racing, 1 litre

Brake & Clutch Master Cylinder

1 GMC109	£130.00	MASTER CYLINDER	1	1500cc
GMC109Z	£55.00	MASTER CYLINDER, aftermarket	1	
17H7705	£110.70	MASTER CYLINDER, aftermarket	1	1600cc & Mkl

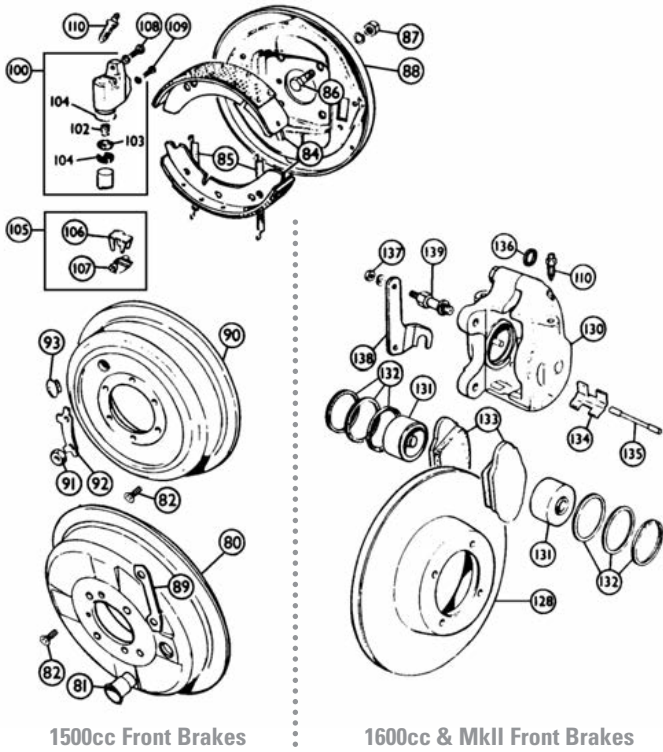
The master cylinder has a non-return valve in the brake side only. Make sure when rebuilding your cylinder that you double check the placement of this valve. It is common to get the large rubber washer in the clutch side of the cylinder or overlook it completely when disassembling the unit. Avoid this

iii. Part Number Price £ea. Description Req. Details

problem by reminding yourself that the clutch is on the left when the cylinder is mounted on the bulkhead and on the right when looking at the front of the cylinder. Any pitting or scoring in the barrel of the cylinder or pistons will indicate that a replacement is needed.

2	8G8224	£14.50	REPAIR KIT	1	
	8G8224Z	£14.00	REPAIR KIT, aftermarket	1	
3	17H4708	£2.62	WASHER, for original filler cap	1	
4	513123A	£3.50	FILLER CAP, plastic replacement	1	
5	AAA4758	£1.03	SCREW	7	
8	AJH5085	£15.90	COVER	1	1500cc
9	17H7702	£42.00	COVER	1	1600cc & Mkl
10	37H2496	£1.03	GASKET	1	
11	AJH5083	£1.85	SPRING	2	
12	7H7925		NCA PISTON	2	
13	7H7488		NCA VALVE, non-return	1	brake side only
15	AAA4757	£1.55	GASKET	1	
16	AAA4756		NCA PLATE	1	
20	21K8564	£7.30	ADAPTOR, slave cylinder pipe	1	
21	233220A	£0.55	WASHER, copper	1	
22	3H550	£0.46	WASHER, copper, small	1	for clutch pipe
23	3H544	£16.00	BANJO	1	
24	7H7456	£1.24	WASHER, copper, large	1	
25	11K8276	£5.70	BANJO BOLT	1	
26	BCA4046	£10.85	PUSH ROD, does not include fork	2	
27	51K1178	£0.34	NUT	4	
28	2A5576	£5.60	FORK, push rod to pedal	2	
29	AHH5101	£6.00	EXCLUDER, fume & dust*	1	
30	AHH5103	£1.94	RUBBER BLANKING PLATE*	1	passenger side
31	AHH5102	£6.30	RETAINING PLATE	2	
34	AHH5946		NCA BRAKE PEDAL	1	From (c)58713
35	AAA4133	£4.37	DISTANCE WASHER	1	
36	AHH7201	£2.98	SPACER	2	
37	AHH5100	£1.00	PEDAL PAD, brake & clutch*	2	
38	AAA1628	£1.10	SPRING, pedal return	2	
39	AAA4129	£3.50	BUSH, pedal	2	
40	BH606221	£1.10	BOLT	1	
41	GHF202	£0.12	NUT	1	
42	CLZ512	£1.24	CLEVIS PIN	2	

*Note: For 'Front Body Fittings' see pages 44 to 45 and for 'Rear Body Fittings' see page 46.



1500cc Front Brakes

1600cc & MkII Front Brakes

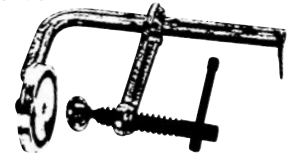
iii. Part Number Price £ea. Description Req. Details

*Notes on Seals: Do not confuse the dust seals with the fluid seals in the GRK5007 caliper rebuild kit. The larger ring with the 'V' groove is the dust seal. It is virtually impossible to install the piston in the caliper with the seals in the wrong grooves.



The metal retainer is easily damaged. Make sure that it is pressed into place using equal pressure at opposite sides, and that the lip is not caught on the edge of the piston bore. It is most easily installed if the piston is started into the bore first. The piston then acts as a guide for the retainer.

Use this special tool which duplicates the function of the factory tool 18G590 to allow easier installation of brake caliper pistons, seals, and seal retainers.



386-280 £33.60 SEAL & PISTON TOOL 1

Front Disc Brake Conversion

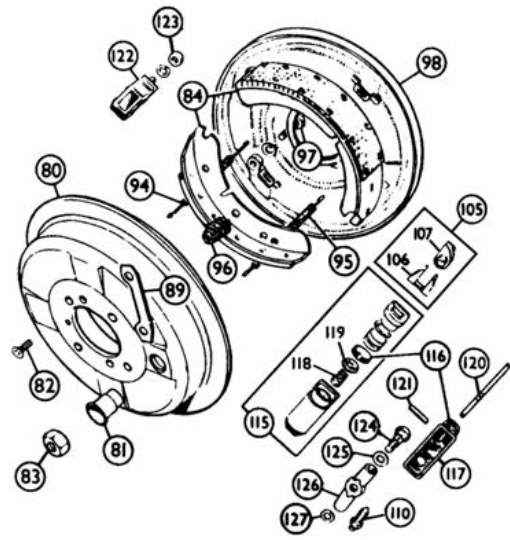
We offer a range of conversion kits to allow drum brake MGA's to be easily converted to disc brakes, using either MGA or MGB type calipers. See page A04 in the Accessories section for more information.

iii. Part Number Price £ea. Description Req. Details

Brakes

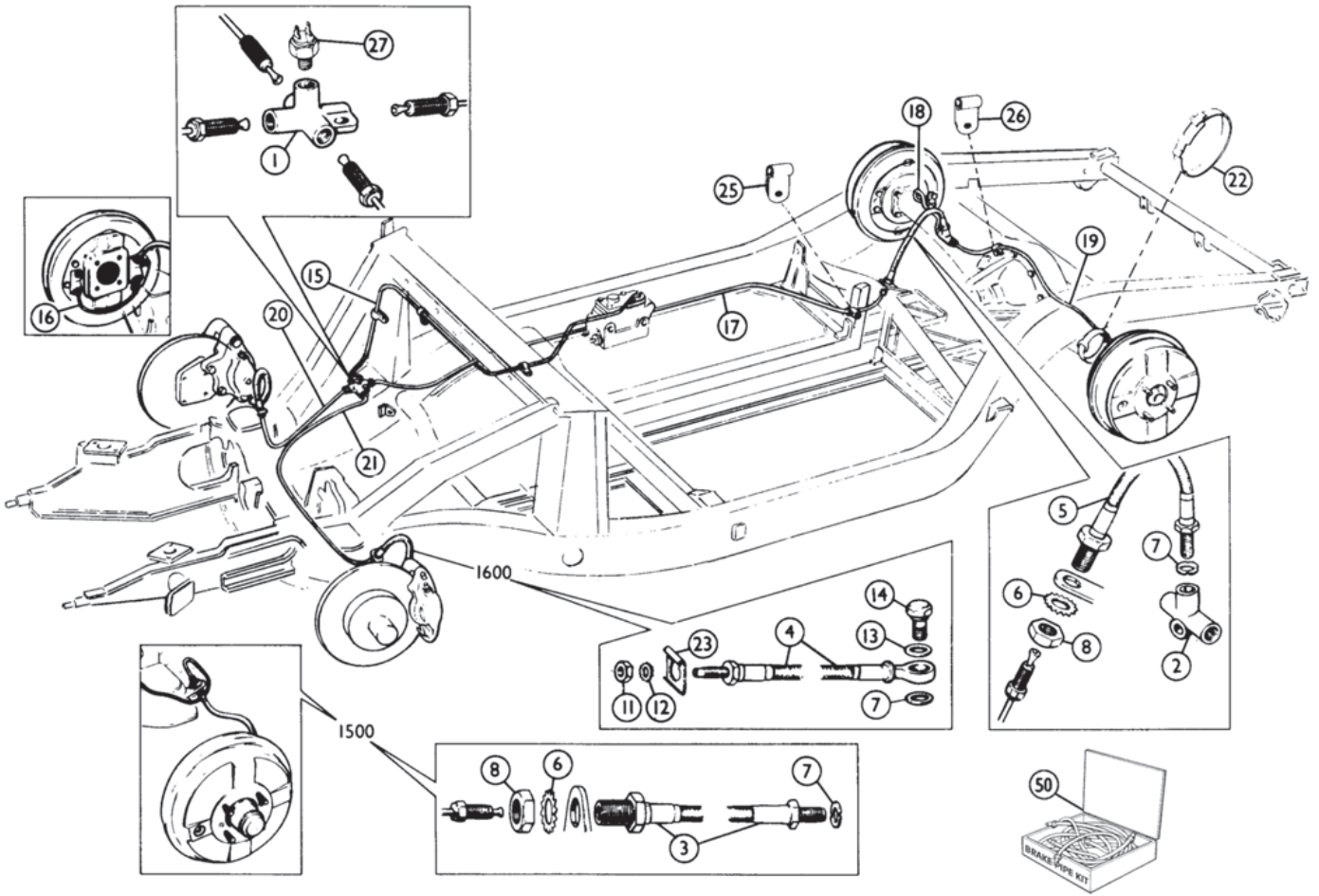
Front Brakes

80	ATB7075	£48.50	BRAKE DRUM	2	1500cc steel wheels
	ATB7075ALF	£226.30	BRAKE DRUM, alloy, finned	2	
81	ACH5703	£6.60	PLUG, 3/4"	a/r	
	ACH5704	£7.15	PLUG, 1/2"	a/r	
82	CMZ407	£0.53	SCREW, front, 1/2"	4	1500cc steel wheels
84	18G8526K	£40.90	SHOE SET, new	1	
85	7H7936	£3.90	RETURN SPRING	4	
86	ATC4067	£3.30	BOLT, plate to steering knuckle	8	
87	GHF202	£0.12	NUT	8/16	1500cc
88	ATB4190	NCA	BRAKE PLATE, RH, front	1	
	ATB4191	NCA	BRAKE PLATE, LH, front	1	
89	ATB7209	£1.34	TAB WASHER	4	1500cc steel wheels
90	ATB4165	£56.70	BRAKE DRUM, front	2	1500cc wire wheels
	ATB4165ALF	£221.50	BRAKE DRUM, alloy, finned	2	
91	NT606041	£0.44	NUT	12	
92	ATB4125	£1.55	TAB WASHER	6	
93	AHH5514	£0.60	PLUG, 1/2"	a/r	
	ACH9373	£1.03	PLUG, 3/4"	a/r	
100	GWC110	£14.50	WHEEL CYLINDER, RH, front	2	
	GWC111	£14.50	WHEEL CYLINDER, LH, front	2	
102	7H7939	£2.15	SPRING	4	
103	7H7938	£2.20	EXPANDER	4	
104	8G8245	£6.00	SEAL KIT, wheel cylinder	4	1500cc
	8G8245Z	£3.14	SEAL KIT, wheel cylinder, aftermarket	4	
105	7H7931K	£21.20	ADJUSTER KIT	4	
106	7H7930	£6.30	MASK, adjuster	4	
107	7H7931	£15.60	CAM, adjuster	4	
108	GHF120	£0.19	BOLT, large	4	
109	7H7520	£2.50	BOLT, small	4	
110	27H7166	£2.00	BLEED SCREW	4	1500cc To (c)27989 s/wheel (c)28540 wire wheel
	3H2428	£0.70	BLEED SCREW	4	1500cc From (c)27990, s/wheel, (c)28541 w/wheel
128	BTB108	£19.30	BRAKE DISC	2	
130	17H7734	£83.00	CALIPER, RH, new unit	1	
	17H7735	£83.00	CALIPER, LH, new unit	1	
131	17H7730	£10.90	PISTON, mild steel	4	
	17H7730SS	£30.00	PISTON, stainless steel	4	
132	GRK5007Z	£7.00	REBUILD KIT, ("see notes on 'seals')	2	
133	8G8379AF	£18.60	PAD SET, standard	1	1600cc, front disc brakes
	8G8379CM	£33.60	PAD SET, ceramic	1	
	8G8379G	£93.91	PAD SET, uprated, EBC Greenstuff	1	
134	17H7733	£2.52	RETAINER	2	
135	17H7732	£3.47	PIN	2	
136	17H7679	£0.94	'O' RING, fluid channel	2	
137	GHF201	£0.08	NUT	4	
138	BTB126	£13.00	LOCK PLATE, RH	1	
	BTB127	£13.00	LOCK PLATE, LH	1	
139	BTB128	£8.24	BOLT, caliper mounting	2	



Rear Brakes

80	ATB7075	£48.50	BRAKE DRUM	2	
	ATB7075ALF	£226.30	BRAKE DRUM, alloy, finned	2	
81	ACH5703	£6.60	PLUG, 3/4"	a/r	steel wheels
	ACH5704	£7.15	PLUG, 1/2"	a/r	
82	SF604051	£0.18	SCREW, rear, 5/8"	4	s/wheels 1500cc & 1600cc
83	FNZ507	£0.76	NUT, rear	8	w/wheels 1500cc & 1600cc
84	18G8526K	£40.90	SHOE SET, new	1	
89	ATB7209	£1.34	TAB WASHER	4/8	
94	17H7499	£2.30	RETURN SPRING, thin	2	
95	7H7936	£3.90	RETURN SPRING, thick	2	
96	AAA4714	£1.60	SPRING, anti-rattle	4	
97	51K1380	£0.88	BOLT	8	
98	ATB7078	NCA	BRAKE PLATE, RH, rear	1	
	ATB7079	NCA	BRAKE PLATE, LH, rear	1	
105	7H7931K	£21.20	ADJUSTER KIT	4	
106	7H7930	£6.30	MASK, adjuster	4	
107	7H7931	£15.60	CAM, adjuster	4	
110	27H7166	£2.00	BLEED SCREW	4	1500cc To (c)27989 s/wheel To (c)28540 wire wheel
	3H2428	£0.70	BLEED SCREW	4/6	1500cc From (c)27990 s/wheel, From (c)28541 wire wheel
115	GWC1111	£28.80	WHEEL CYLINDER, rear	2	less boot
116	8G8243	£5.80	REPAIR KIT, single	2	
117	7H7943	£5.18	BOOT, boot	2	not included with cylinder
118	7H7939	£2.15	SPRING	2	
119	7H7940	£4.32	EXPANDER	2	
120	27H7395	NCA	LEVER	2	
121	17H7203	NCA	PIN	2	
122	7H7932	NCA	ABUTMENT	2	
123	AJD8105Z	£0.18	NUT, securing abutment	4	
124	7H7847	£4.37	BANJO BOLT	2	
125	3H550	£0.46	WASHER, large copper	2	
126	059258	NCA	BANJO	2	1500cc To (c)27989 s/wheel To (c)28540 wire wheel
	AHH5634X	£26.30	BANJO	2	From (c)27990 steel wheel (c)28541 wire wheel



ill.	Part Number	Price £ea.	Description	Req.	Details
Brake Pipes, Hoses & Fittings					
1	17H7108	£20.50	FITTING, 4-way	1	
2	501505	£17.15	FITTING, 3-way	1	1500cc To (c)27988 s/wheel
	3H2424	£6.80	FITTING, 3-way	1	& To (c)28539 wire wheel
				1	1500cc From (c)27989 steel wheel & From (c)28540 wire wheel
3	GBH104	£12.00	HOSE, front brake	2	1500cc
	GBH104Z	£10.70	HOSE, front brake, aftermarket	2	
4	BHA4139	£13.00	HOSE, front brake	2	1600cc & MkII
	BHA4139Z	£11.51	HOSE, front brake, aftermarket	2	
5	GBH104	£12.00	HOSE, rear brake	1	all models
	GBH104Z	£10.70	HOSE, rear brake, aftermarket	1	
6	WE600101	£0.34	WASHER	1/3	
7	233220A	£0.55	WASHER, copper	3	
8	2K8686	£1.00	NUT	1/3	1500cc uses 3
11	NT606041	£0.44	NUT	2	
12	GHF323	£0.12	WASHER, locking	2	
13	3H550	£0.46	WASHER, copper	2	1600cc & MkII
14	C5192A	£5.39	BANJO BOLT	2	

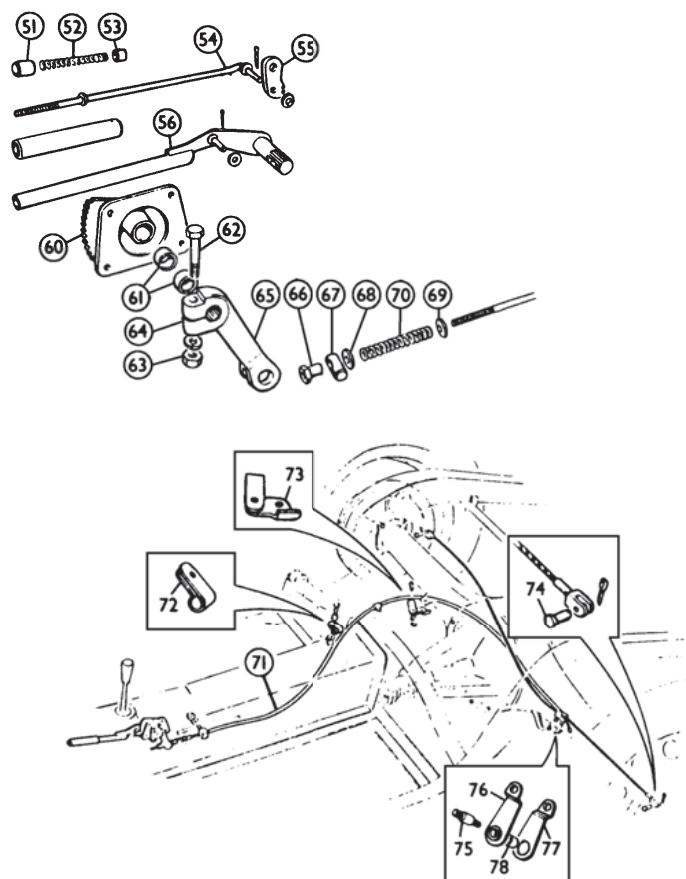
Steel Brake Pipes

15	21A62	£14.40	PIPE, master cylinder to 4-way	1	RHD only
	AHH5282	£17.60	PIPE, master cylinder to 4-way	1	LHD only
16	ACH5305	£7.22	PIPE, between front wheel cylinder	2	1500cc
17	ACB8701	£14.05	PIPE, 4-way to rear hose	1	
18	AJD30	£7.52	PIPE, 3-way to right rear cylinder	1	1500cc To (c)27988 steel wheel (c)28539 wire wheel
	GPP18AA	£10.60	PIPE, 3-way to right rear cylinder	1	1500cc From (c)27989 steel wheel (c)28540 wire wheel

ill.	Part Number	Price £ea.	Description	Req.	Details
19	AJD82	£7.84	PIPE, 3-way to left rear cylinder, S/W	1	1500cc To (c)27988
	GPP44AA	£12.95	PIPE, 3-way to left rear cylinder, S/W	1	1500cc From (c)27989
	AJD78	£7.84	PIPE, 3-way to left rear cylinder, W/W	1	1500cc To (c)28539
	AHH5633	£8.03	PIPE, 3-way to left rear cylinder, W/W	1	1500cc From (c)28540
20	AHH5279	£11.46	PIPE, 4-way to right front hose	1	1500cc
	ACA9878	£7.52	PIPE, 4-way to right front hose	1	1600cc & MkII
21	AHH5280	£8.60	PIPE, 4-way to left front hose	1	1500cc
	AHH5958	£8.03	PIPE, 4-way to left front hose	1	1600cc & MkII
22	ACH8650	£1.90	STRAP, pipe to axle	1	
23	1G9198	£2.00	LOCKING PLATE	2	1600cc & MkII
25	PCR307	£0.85	CLIP, pipe to chassis	4	
26	PCR311	£0.85	CLIP, pipe to differential case	1	
27	13H2303	£7.20	SWITCH, brake light, (OE type screw)	1	
	C16062A	£4.00	SWITCH, brake light, (alternative Lucar)	1	

Copper Brake Pipe Sets

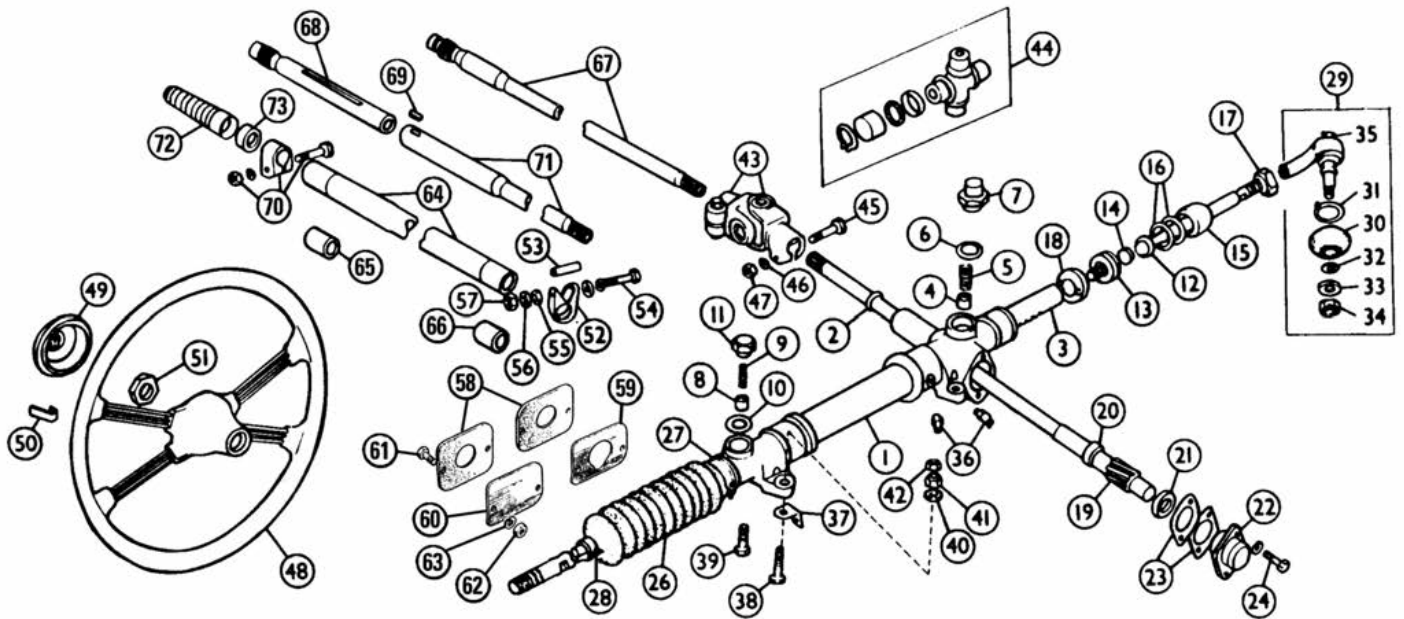
50	GAC5024XL	£88.00	BRAKE PIPE SET, LHD	1	1500cc steel wheel cars
	GAC5024X	£89.17	BRAKE PIPE SET, RHD	1	To (c)27988
	GAC5024XL	£88.00	BRAKE PIPE SET, LHD	1	1500cc wire wheel cars
	GAC5024X	£89.17	BRAKE PIPE SET, RHD	1	To (c)28539
	GAC5024L	£80.90	BRAKE PIPE SET, LHD	1	1500cc steel wheel cars
	GAC5024	£74.50	BRAKE PIPE SET, RHD	1	From (c)27989
	GAC5024L	£80.90	BRAKE PIPE SET, LHD	1	1500cc wire wheel cars
	GAC5024	£74.50	BRAKE PIPE SET, RHD	1	From (c)28540
	GAC5025L	£70.00	BRAKE PIPE SET, LHD	1	1600cc & MkII
	GAC5025	£65.70	BRAKE PIPE SET, RHD	1	steel wheel cars
	GAC5025L	£70.00	BRAKE PIPE SET, LHD	1	1600cc & MkII
	GAC5025W	NCA	BRAKE PIPE SET, RHD	1	wire wheel cars



iii. Part Number Price £ea. Description Req. Details

Handbrake & Fittings

51	ACC8956	£12.17	KNOB	1	
52	ACH8508	£1.10	SPRING	1	
53	AAA563	NCA	BUSH	1	
54	AHH5233	£22.95	ROD ASSEMBLY	1	
55	AHH5238	£22.15	PAWL	1	
56	AHH5229	£173.20	HANDLE & SHAFT	1	
60	AHH5232	£74.20	RATCHET	1	
61	AHH5242	£4.37	BUSH	2	
62	BH605101	£0.55	BOLT	1	
63	GHF201	£0.08	NUT	1	
64	GHF332	£0.19	WASHER, locking	1	
65	AHH5244	NCA	LEVER	1	
66	ACH5104	£1.75	NUT	1	
67	AHH5322	£1.24	TRUNNION	1	
68	PWZ204	£0.12	WASHER	1	
69	GHF300	£0.12	WASHER	1	
70	ACH8508	£1.10	SPRING	1	
71	AHH5227	£12.00	HANDBRAKE CABLE	1	steel wheels
	AHH5228	£12.00	HANDBRAKE CABLE	1	wire wheels
72	CP105081	£0.88	CLIP, cable to battery carrier	1	
73	AHH5295	£6.50	CLIP, cable to axle bracket	1	
74	ACB8715	£1.03	CLEVIS PIN	2	
75	AHH5025	£3.14	FULCRUM	1	
76	AHH5203	£15.20	LEVER, cable equalising	1	
77	ACH5101	£7.70	LEVER, cable equalising	1	
78	AHH5225	£3.14	BUSH	1	



Part Number	Price £ea.	Description	Req.	Details
Steering Rack & Column				
AHH6001	£251.40	STEERING RACK ASSEMBLY	1	RHD, new
AHH6002	£246.20	STEERING RACK ASSEMBLY	1	LHD, new
1 AHH6013	NCA	RACK HOUSING	1	RHD
AHH6016	NCA	RACK HOUSING	1	LHD
2 AAA1335	£2.52	SEAL, pinion shaft	1	
3 AHH6020	NCA	RACK	1	
4 ACA5244	£10.74	PAD, rack damper	1	
5 ACA5248	£5.90	SPRING, rack damper	1	
6 ACA5249	£2.72	SHIM, 0.003"	a/r	
7 ACA5245	£11.70	CAP, rack damper	1	
8 ACA5284	£3.60	PAD	1	
9 ACA5286	NCA	SPRING	1	secondary rack damper
10 ACA5283	NCA	WASHER	1	
11 ACA5285	£3.86	CAP	1	
12 AHH6019	NCA	TIE ROD	2	
13 ACA6031	£33.50	BALL HOUSING, male	2	
14 ACA5246	£12.00	BALL SEAT	2	
15 ACA5304	£40.00	BALL HOUSING, female	2	
16 ACA5301	NCA	SHIM, 0-003"	a/r	
ACA5302	NCA	SHIM, 0-005"	a/r	
ACA5303	NCA	SHIM, 0-010"	a/r	
17 NT610041	£0.55	LOCK NUT, tie rod	2	
18 ACA5247	£4.70	WASHER, locking	2	
19 AHH6021	NCA	PINION	1	RHD
AHH6022	NCA	PINION	1	LHD
20 AAA1679	NCA	THRUST WASHER, upper	1	
21 AAA1336	NCA	THRUST WASHER, lower	1	
22 AHH6023	NCA	PINION BEARING CAP	1	
23 AAA1333	£2.70	SHIM, 0.005"	a/r	
AAA1334	£1.94	SHIM, 0.007"	a/r	
24 GHF120	£0.19	BOLT	2	
26 AAA1682	£8.10	RACK SEAL	2	
27 BMK924A	£1.55	CLAMP, large	2	
28 3H2963	£0.76	CLAMP, small	2	
29 GSJ169	£9.00	TIE ROD END	2	
30 7H3762	£2.80	BOOT	2	
31 7H3565	£2.29	CLIP	2	
32 7H3763	NCA	RING	2	
33 GHF303	£0.19	WASHER	2	
34 NL607041	£1.10	NUT, castle	2	
35 UHN405	£2.00	GREASE NIPPLE	2	
36 UHN205	£1.64	GREASE NIPPLE, rack tube	2	
37 AHH6007	£2.52	SHIM	a/r	rack to mounting brackets
38 GHF103	£0.42	SCREW	2	
39 SH605091	£0.60	SCREW	2	
40 GHF332	£0.19	WASHER	4	
41 GHF201	£0.08	NUT	2	
42 LN2105	£0.58	LOCK NUT	2	
43 AHH6000	£82.50	UNIVERSAL JOINT	1	
AHH6000Z	£57.90	UNIVERSAL JOINT, aftermarket	1	
44 GUJ200	£11.90	UNIVERSAL JOINT KIT	1	
45 17H3839	£2.60	BOLT	2	

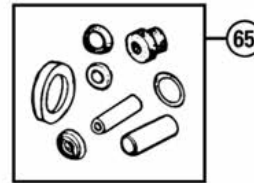
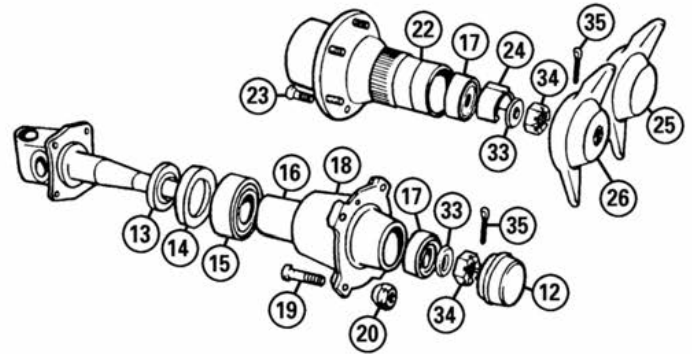
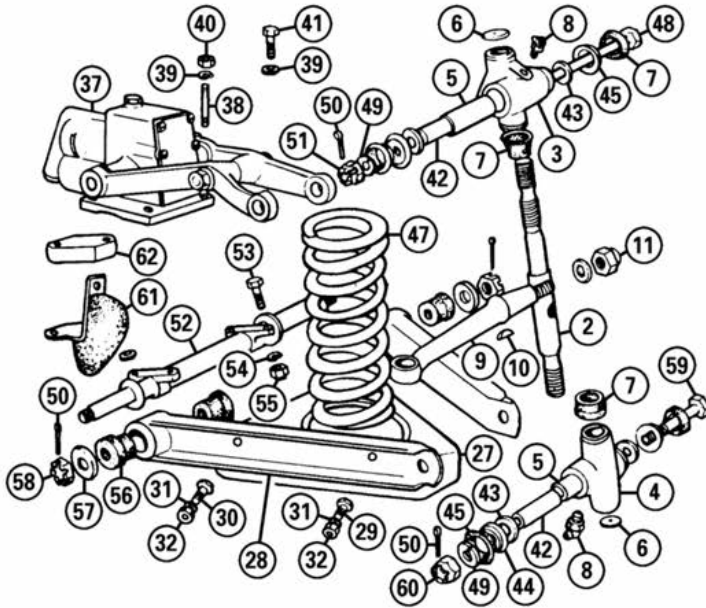
Part Number	Price £ea.	Description	Req.	Details
46	GHF332	£0.19	WASHER	2
47	GHF201	£0.08	NUT	2
48	AHH6003	£152.20	STEERING WHEEL, original type	1
49	AHH6004	£25.50	CENTRE PIECE, as original	1
50	613766	£0.52	CLIP	4
51	ACH6001	£4.62	NUT, wheel to shaft	1
52	AHH6005	£10.70	CLAMP	2
53	AHH6006	£5.34	DISTANCE PIECE	2
54	BH605181	£0.80	BOLT	2
55	PWZ205	£0.19	WASHER, plain	4
56	GHF332	£0.19	WASHER	4
57	GHF201	£0.08	NUT	2
58	AHH6009	£2.70	SEAL, column & blanking plate	2
59	AHH6010	£9.32	RETAINER, column seal	1
60	AHH6024	NCA	BLANKING PLATE, steering column hole	1
61	SH605061	£0.13	SCREW, retainer or plate to bulkhead	2
62	GHF201	£0.08	NUT	2
63	GHF332	£0.19	WASHER	2
64	AHH6031	NCA	OUTER TUBE	1
65	AHH6032	£4.05	FELT BUSH, upper	1
	7H6255	£2.45	FELT BUSH, upper	1
	AHH6027	£7.62	FELT BUSH, lower	1
	AHH6028	NCA	SHAFT	1
	ACC6042	£86.45	SHAFT	1
	AAA193	£5.40	KEY	1
	AAA192	£7.36	CLAMP, chrome, (includes hardware)	1
	AHH6033	NCA	INNER TUBE	1
	AAA1651	£10.20	SPRING COVER, chrome	1
	AAA1650	£3.22	CAP, for cover	1

Front Suspension Rebuild

The four trunnion bushes (BTB768) must be pressed into the trunnions & reamed to size. If you are not equipped with a press and reamer, it is advisable to leave this job to a reliable machinist. Hammering the new bush into the trunnion will distort it and, the trunnion itself may crack. Never attempt to remove or replace the trunnions with the tubes (BHH1773) in place, this will damage the swivel pin threads if you do. The lower link bolt holes in the wishbone arms (AAA1326) must not be worn oval. Extra play introduced by this condition causes premature tyre wear and makes it impossible to align the front end. Left long enough, this can be dangerous, as the link bolts will have a groove worn in them. The MGA steering rack should be lubricated with EP90 oil, not front grease. The small pom-pom gun that is in so much demand by the tool collectors is actually a grease gun which is used to fill the rack. Front end clunks are caused by loose parts such as 'A' arm pivots, lower trunnion bolts or shock mounting bolts. A sharp cracking noise is sometimes caused by a stone caught under the coil spring in the spring pan.

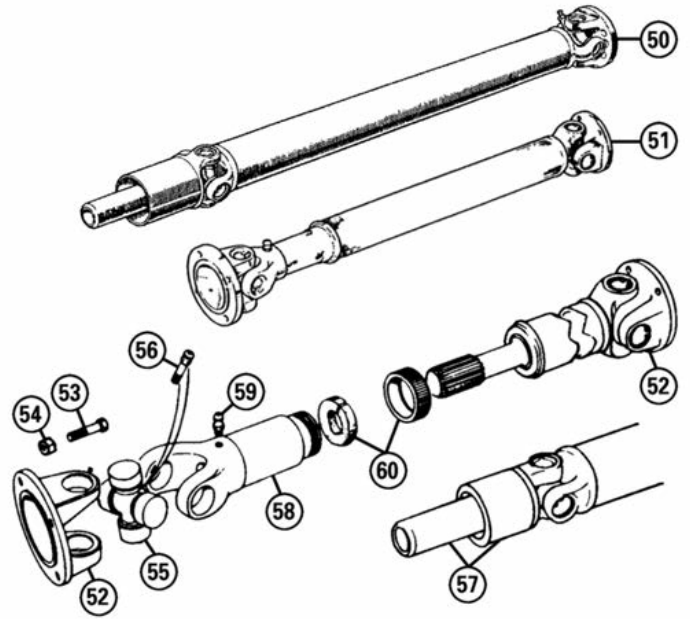
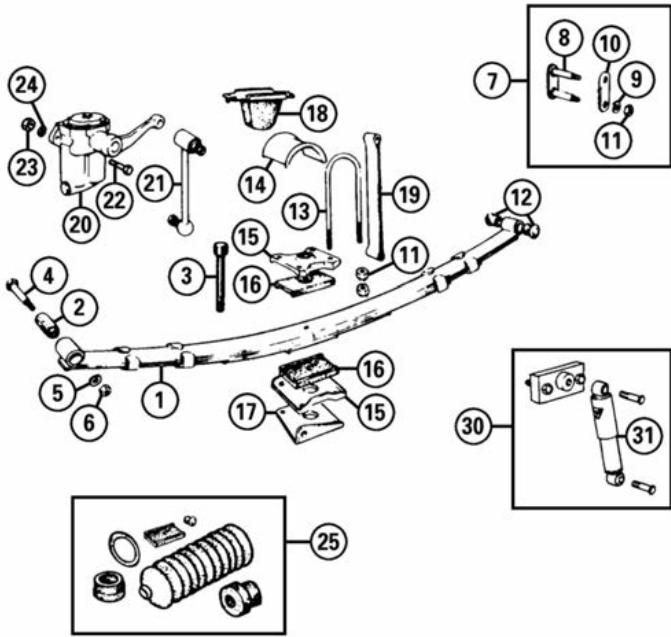
Front Suspension & Front Hub

1	ATB4206	NCA	STEERING KNUCKLE, RH	1	1500cc To (c)54246
	ATB4207	NCA	STEERING KNUCKLE, LH	1	
	ATB4268	NCA	STEERING KNUCKLE, RH	1	From (c)54247
	ATB4269	NCA	STEERING KNUCKLE, LH	1	
	NI ATB4208SET	£215.30	KING PIN SET, RH	1	includes items 2, 3, 4, 5 & 6
	NI ATB4209SET	£215.30	KING PIN SET, LH	1	
2	ATB4218	£60.00	KING PIN, RH	1	
	ATB4219	£60.00	KING PIN, LH	1	



Ill.	Part Number	Price £ea.	Description	Req.	Details
Front Suspension & Front Hub (Continued)					
3	ATB4208	£81.20	LINK, top, RH	1	
	ATB4209	£81.20	LINK, top, LH	1	
4	ATB4212	£81.20	LINK, bottom, RH	1	
	ATB4213	£81.20	LINK, bottom, LH	1	
5	BTB768	£7.20	BUSH	4	
6	ACA4010	NCA	PLUG	4	
7	ACG4030	£1.24	SEAL, swivel pin to link	4	
	ACG4030K	£14.50	SEAL KIT (Contains 4 swivel pin to link seals and 8 link seals).	1	
8	UHN405	£2.00	GREASE NIPPLE	4	
9	ATB4187	NCA	LEVER, LH	1	1500cc To (c)54246
	ATB4261	NCA	LEVER, LH	1	1500cc From (c)54247
	BTB103	NCA	LEVER, LH	1	1600cc & 1600cc MkII
	ATB4186	NCA	LEVER, RH	1	1500cc To (c)54246
	ATB4260	NCA	LEVER, RH	1	1500cc From (c)54247
	BTB102	NCA	LEVER, RH	1	1600cc & 1600cc MkII
10	WKN506	£0.76	KEY	2	
11	ND608041	£0.76	NUT, slotted	2	1500cc To (c)54246
	GHF226	£1.03	NUT, nyloc	2	From (c)54247
12	ATB4098	£6.20	CAP	2	disc wheel
13	ACF4001	£10.40	SPACER	2	
14	ACF4004	£3.30	OIL SEAL	2	all except Twin Cam
15	GHB177	£12.10	BEARING, inner	2	and MkII De luxe
16	ACF4003	£9.73	SPACER	2	
17	GHB176	£6.90	BEARING, outer	2	
18	ATB4067	NCA	HUB, bolt on wheel	2	1500cc
	BTB106	NCA	HUB, bolt on wheel	2	1600cc To (c)69504
	BTB149	NCA	HUB, bolt on wheel	2	1600cc From (c)69505 & MkII
19	1G4359	£6.60	STUD, wheel	8	1500 drum brakes
	ATC4257	NCA	STUD, wheel	8	1600 disc brakes
20	88G276	£1.85	NUT	8	
22	ATB4180	£70.00	HUB, splined, wire wheel, RH	1	1500cc
	ATB4181	£70.00	HUB, splined, wire wheel, LH	1	
	BTB142	£70.00	HUB, splined, wire wheel, RH	1	1600cc & MkII
	BTB143	£70.00	HUB, splined, wire wheel, LH	1	
23	ATB4124	£2.10	STUD	12	1500cc
	BTB145	£2.20	BOLT, hub to disc	8	1600cc & MkII
24	ATB4131	£9.90	RETAINER, grease	2	
25	AHH7317	£24.50	SPINNER, 2-eared, 12TPI, RH	2	plain
26	AHH7317A	£23.80	SPINNER, 2-eared, 12TPI, RH	2	MG logo
	AHH73173	£48.20	SPINNER, 3-eared, 12TPI, RH	2	plain
	AHH7318	£24.50	SPINNER, 2-eared, 12TPI, LH	2	plain
	AHH7318A	£23.80	SPINNER, 2-eared, 12TPI, LH	2	MG logo
	AHH73183	£48.20	SPINNER, 3-eared, 12TPI, LH	2	plain
27	AHH5925	£26.40	SPRING PAN	2	
	AHH5925BK	£2.00	BOLT KIT	2	
28	AAA1326	£6.70	WISHBONE ARM, lower	4	
29	SH605071	£0.40	SCREW	4	
30	GHF103	£0.42	SCREW	4	
31	GHF332	£0.19	WASHER	8	
32	GHF201	£0.08	NUT	8	
33	ATB4069	£4.37	WASHER	2	

Ill.	Part Number	Price £ea.	Description	Req.	Details
34	NL612041	£2.60	NUT, RH, righthand thread	1	
	FNZ2412	£5.18	NUT, LH, lefthand thread	1	
35	GHF505	£0.29	SPLIT PIN, front hub nut	2	
37	AHH4004E	£57.40	DAMPER, lever arm, front	2	recon/exchange
	AHH4004Z	£153.20	DAMPER, lever arm, new	2	
Note: When fitting new replacement dampers (AHH4004Z) replace the original stud with a screw (item 41) and spring washer (item 39).					
38	AHH5070	£2.00	STUD	8	
39	GHF333	£0.19	WASHER, locking	8	
40	GHF202	£0.12	NUT	8	
41	GHF165	£0.29	SCREW	8	
(For fitting AHH4004Z & alternative for original stud & nut).					
42	BHH1773	£3.30	STEEL TUBE	4	
43	AAA1390	£0.55	THRUST WASHER	8	
44	AAA1324	£0.59	SEAL SUPPORT	8	
45	AAA1323X	£1.44	SEAL, link	8	
47	139105PR	£65.80	ROAD SPRING SET, front, pair	1	1500cc To (c)15151 Silicon chrome
	AHH6451PR	£60.30	ROAD SPRING SET, front, pair	1	1500cc From (c) 15152, Silicon chrome
	AHH5789PR	£87.60	ROAD SPRING SET, front, pair	1	Twin Cam & MkII De Luxe Silicon chrome
48	AHH4002	£3.40	BOLT	2	
49	GHF335	£0.24	WASHER, locking	4	
50	GHF504	£0.14	SPLIT PIN	8	
(For top link bolt and wishbone pivots).					
51	ND608041	£0.76	NUT, castle head	2	
52	AHH4003	£21.00	PIVOT	2	
53	BTB198	£1.20	BOLT	8	
54	GHF333	£0.19	WASHER, locking	8	
55	GHF223	£0.40	NUT	8	
56	AHH7933	£0.56	BUSH, wishbone to pivot, rubber	8	as original
	BHH1123	£1.20	BUSH, wishbone to pivot, rubber/steel	4	MGB V8 lower bushes
	BHH1123SPK	£38.30	BUSH KIT, wishbone to pivot, poly	1	(Kit includes: 4 bushes & 4 tubes).
57	AAA1330	£0.55	WASHER	4	
58	NL608041	£1.10	NUT	4	
59	AHH4001	£1.96	BOLT	2	
60	ND608041	£0.76	NUT, castle head	2	
61	AAA5023	£8.50	REBOUND BUFFER	2	
62	AAA5024	£3.70	SPACER, rebound buffer	2	
Suspension kits					
65	GAC2001X	£78.70	FRONT SUSPENSION KIT, front (Inc. items: 5, 7, 14, 42, 43, 44, 45, 56. With standard wishbone bushes).	1	standard
	GAC2002X	£78.70	FRONT SUSPENSION KIT, front (Inc. items: 5, 7, 14, 42, 43, 44, 45, 56. With MGB-V8 wishbone bushes).	1	uprated
	GAC2003X	£39.00	SUSPENSION RUBBER KIT, complete (Inc. items: 7, 45, 56, with item 26 on page 24 & items 12 & 16 on page 26, with standard wishbone bushes).	1	standard



Part Number	Price £ea.	Description	Req.	Details
Rear Suspension (Standard)				
1 AHH5461Z	£60.00	LEAF SPRING	2	
2 AHH5015	£5.90	'SILENTBLOC' BUSH	2	
3 AHH5042	£8.56	BOLT, spring centre	2	
4 BH607241	£0.70	BOLT	2	
5 GHF334	£0.24	WASHER, locking	2	
6 GHF203	£0.19	NUT	2	
7 AHH5018K	£8.80	SHACKLE PINS & PLATE KIT	2	inc. items 8 x 1, 9 x 2, 10 x 1, 11 x 4
8 AHH5018	£8.30	SHACKLE PINS & PLATE	2	
9 GHF333	£0.19	WASHER, locking	4	
10 AHH5019	£2.45	SHACKLE PLATE	2	
11 GHF202	£0.12	NUT, shackle & 'U' bolt	20	
12 2A5176	£0.50	BUSH, shackle pins, rubber†	8	
2A5176SPK	£24.70	BUSH KIT, shackle pins, polyurethane (Kit includes: 8 bushes).	1	
13 AAA3838	£3.30	'U' BOLT	4	
14 AHH5082	£5.60	BUFFER PLATE, 'U' bolt	2	
15 ACG5001	£2.80	PLATE	4	
16 ACG5002	£1.00	PAD, spring, rubber†	4	
ACG5002SPK	£41.40	PAD KIT, spring, polyurethane (Kit includes: 4 spring pads).	1	
17 AHH5067	£24.00	BRACKET, RH	1	
AHH5068	£22.00	BRACKET, LH	1	
18 AHH5106	£10.90	BUMP RUBBER	2	
19 AHH5081	£3.70	CHECK STRAP	2	
20 AHH5029	£102.80	SHOCK ABSORBER, new, RH	1	
AHH5030	£102.80	SHOCK ABSORBER, new, LH	1	
37H4127E	£30.70	SHOCK ABSORBER, rebuilt, RH	1	rebuilt/exchange
37H4128E	£30.70	SHOCK ABSORBER, rebuilt, LH	1	
21 97H2031A	£14.30	LINK, shock absorber	2	
22 BH607281	£1.10	BOLT, original shock mounting	4	
23 GHF203	£0.19	NUT	4	
24 GHF334	£0.24	WASHER, locking	4	
25 GAC2003X	£39.00	SUSPENSION RUBBER KIT (Inc: All items marked † on this page, see page 25 for more details).	1	

Rear Telescopic Shock Absorber Conversion Kit

Converting to telescopic units will improve the ride & handling, making your car more stable and predictable. Kits are supplied complete with brackets, dampers and full instructions.

Part Number	Price £ea.	Description	Req.	Details
30 TMG30715	£185.00	TELESCOPIC CONVERSION KIT	1	with Spax units
TMK30717	£248.20	TELESCOPIC CONVERSION KIT	1	with Koni units
TMG30715G	£181.20	TELESCOPIC CONVERSION KIT	1	with Gaz units

Replacement Shock Absorbers for Telescopic Conversion Kits.

Units can only be used when Lever Arm dampers have been replaced with a Telescopic Conversion.

Part Number	Price £ea.	Description	Req.	Details
31 TT30711PR	£105.00	SHOCK ABSORBER, Spax, pair	2	when renewing damper units
TMG30712PR	£107.00	SHOCK ABSORBER, Koni, pair	2	we strongly recommend they
TMG30713	£77.30	SHOCK ABSORBER, Gaz, pair	2	are replaced in pairs.

Part Number	Price £ea.	Description	Req.	Details
Propshaft				
50 AHH5069	£237.80	PROPSHAFT, new (spline & flange type with 1" yoke spline)	1	early 1500
AHH5069E	£61.50	PROPSHAFT, recon/exchange (spline & flange type with 1" yoke spline)	1	
AHH5568E	£48.20	PROPSHAFT, recon/exchange (spline & flange type with 1.25" yoke spline)	1	1500 1956-59
51 AHH5730	£123.11	PROPSHAFT, new (double flange type)	1	Late 1500 & 1600, MkII
52 7H3863	£16.00	FLANGE	1/2	1600cc uses 2
53 AAA4039	£0.65	BOLT, propshaft flange	4/8	
54 LNZ105	£0.58	NUT	4/8	
55 GUJ115	£9.30	UNIVERSAL JOINT, greaseable	2	
GUJ115Z	£8.50	UNIVERSAL JOINT, greaseable	2	aftermarket
GUJ101	£8.30	UNIVERSAL JOINT, sealed	2	
GUJ101Z	£7.48	UNIVERSAL JOINT, sealed, aftermarket	2	
56 7H3858	£1.85	GREASE NIPPLE, 'U' joint	2	
57 17H3868	NCA	YOKE, front	1	1500cc
58 7H3865	£39.40	YOKE, front	1	
59 549229A	£1.64	GREASE NIPPLE, yoke	1	1600cc and MkII
60 7H3880X	£3.60	SEAL & CAP, improved	1	

Note: Some cars between (c)61037 and (c)61503 had later type yoke & propshaft.

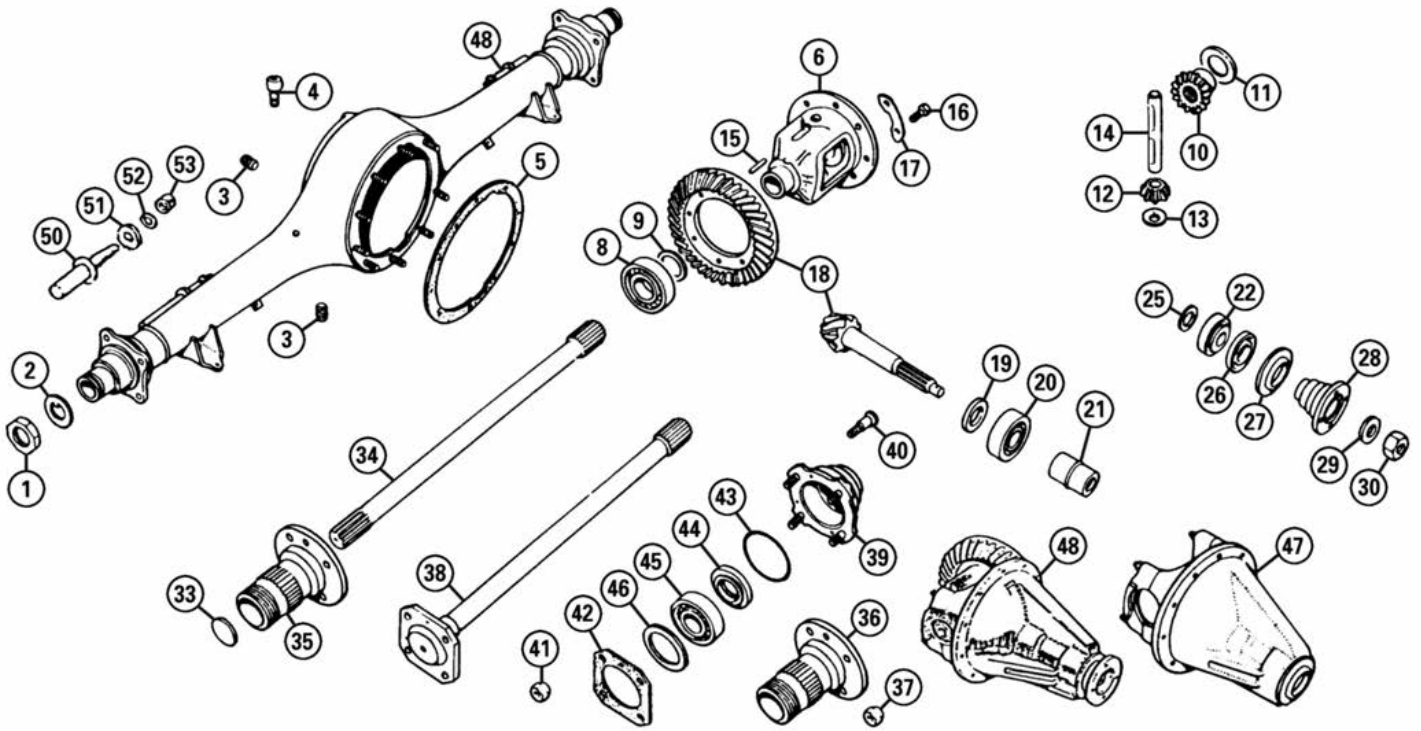
Rear Axle

Note: The following part numbers refer to the image on page 27.

Part Number	Price £ea.	Description	Req.	Details
1 1G7582	£12.00	NUT, LH, (lefthand thread)*	1	Important, please
1G7448	£11.00	NUT, RH, (righthand thread)*	1/2	see notes

*Important note: 1500cc to (c)11540 used 1G7448 (RH thread) on both sides. All later cars used one 1G7448 on the right side, and one 1G7582 on the left side.

Part Number	Price £ea.	Description	Req.	Details
2 1G7584	£1.75	TAB WASHER	2	
3 6K499	£1.90	PLUG, oil drain & filler	2	
4 21H6060	£3.50	BREATHER	1	(Remember to clean the breather on top of your rear axle housing every so often. (It unscrews from the axle housing). If it gets clogged, pressure builds up inside the housing, forcing oil past the pinion and hub seals.)
5 1G7465	£0.80	GASKET	1	
6 BTB328	£76.10	DIFFERENTIAL CARRIER	1	
8 CHM163	£22.00	BEARING, carrier	2	
9 2K7993	£1.55	SHIM, bearing packing, 0.002"	a/r	
ATB7239	£1.55	SHIM, bearing packing, 0.003"	a/r	
2K7435	£1.55	SHIM, bearing packing, 0.004"	a/r	
6K503	£1.55	SHIM, bearing packing, 0.006"	a/r	
10 ATB7122	£115.94	DIFFERENTIAL GEAR	2	1500cc
ATB7282	NCA	DIFFERENTIAL GEAR	2	1600cc To (c)82892 s/wheel To (c)82748 wire wheel 1600cc From (c)82893 s/wheel From (c)82749 wire wheel
BTB150	NCA	DIFFERENTIAL GEAR	2	
11 ATB7072	£1.90	THRUST WASHER, differential gear	2	
12 ATB7123	NCA	PINION, differential	2	



ill.	Part Number	Price £ea.	Description	Req.	Details	
Rear Axle (Continued)						
13	1G7445	£2.00	THRUST WASHER, differential pinion	2		
14	1G7444	£22.55	PIN, pinion	1		
15	6K842	NCA	LOCKING PIN, pinion axle	1		
16	ATA7043	£0.94	BOLT, crown wheel to carrier	8		
17	6K875	£2.05	TAB WASHER	4		
18	88G283	£395.00	C/WHEEL & PINION, (4.300:1)	1	standard, (10/43)	
	88G284	£395.00	C/WHEEL & PINION, (4.555:1)	1	optional, (9/41)	
	BTB653	£340.00	C/WHEEL & PINION, (3.909:1)	1	optional, (11/43)	
	ATB7240	£346.50	C/WHEEL & PINION, (4.100:1)	1	MkII only, (10/41)	
19	ATB7064	£6.90	THRUST WASHER, 0.126"	a/r	pinion	
	ATB7065	£6.90	THRUST WASHER, 0.124"	a/r		
	ATB7066	£18.95	THRUST WASHER, 0.122"	a/r		
	ATB7067	£6.90	THRUST WASHER, 0.120"	a/r		
	ATB7068	£6.90	THRUST WASHER, 0.118"	a/r		
	ATB7069	£6.90	THRUST WASHER, 0.116"	a/r		
	ATB7070	£18.65	THRUST WASHER, 0.114"	a/r		
	ATB7071	£18.65	THRUST WASHER, 0.112"	a/r		
20	100897A	£25.00	PINION BEARING, inner	1		
21	1B7240	£31.65	SPACER	1		
22	2A7213	£22.00	PINION BEARING, outer	1		
25	ATB7102	£1.03	SHIM, outer bearing, 0.004"	a/r		
	ATB7103	£2.50	SHIM, outer bearing, 0.006"	a/r		
	ATB7104	£1.10	SHIM, outer bearing, 0.008"	a/r		
	ATB7105	£1.85	SHIM, outer bearing, 0.010"	a/r		
	ATB7106	£1.33	SHIM, outer bearing, 0.012"	a/r		
	ATB7107	£1.24	SHIM, outer bearing, 0.020"	a/r		
	ATB7108	£1.10	SHIM, outer bearing, 0.030"	a/r		
26	88G320	£3.00	OIL SEAL, pinion	1		
27	1G7439	NCA	DUST COVER	1		
28	ATB7059	£114.00	FLANGE	1		
29	WL600121	£0.50	WASHER	1		
30	FNZ612	£2.45	NUT	1		
33	2K8160	£0.62	PLUG	2		
34	ATB7206	£157.50	AXLE, wire wheel, 10 spline	2	1500cc	
	ATB7386	£157.50	AXLE, wire wheel, 26 spline	2	1600cc to (c) 82748	
	BTB153	£123.31	AXLE, wire wheel, 25 spline	2	1600cc from (c) 82749	

Note: These half shafts are for cars fitted with an original wire wheel axle case.

ATB7206S	£157.50	AXLE, wire wheel, 10 spline	2	1500cc
ATB7386S	£153.90	AXLE, wire wheel, 26 spline	2	1600cc to (c) 82748
BTB153S	£116.18	AXLE, wire wheel, 25 spline	2	1600cc from (c) 82749

Note: These half shafts are 1" longer than the original wire wheel half shafts to allow fitting of wire wheel splined hubs (Item No: 35) on a steel wheel axle case.

Converting to Wire Wheels?

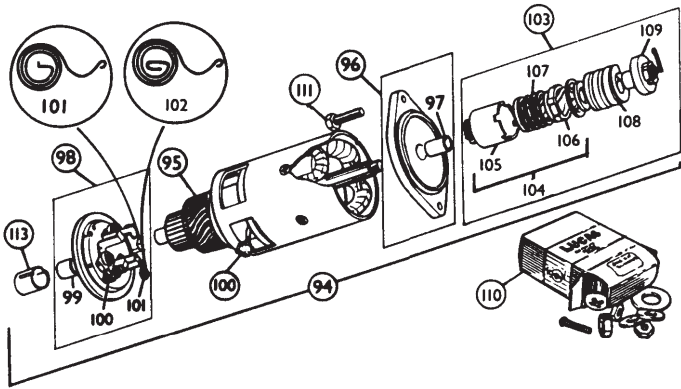
If your MGA has steel wheels and you wish to convert to wire wheels there are several options you can take. Please see the Accessories section for guidance and the available options.

35	ATB7204	£70.00	HUB, splined, wire wheel, RH	1
	ATB7205	£70.00	HUB, splined, wire wheel, LH	1

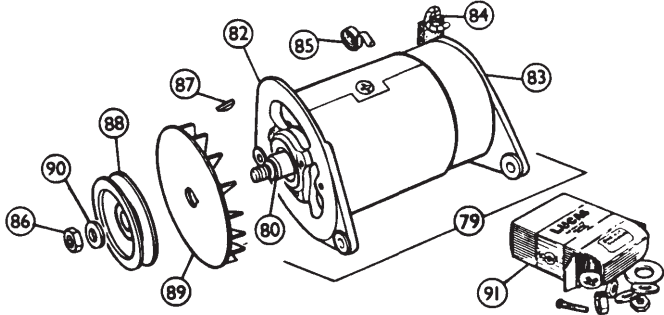
ill.	Part Number	Price £ea.	Description	Req.	Details
36	RCK107R	£73.00	HUB, 'bolt-on', wire wheel, RH	1	
	RCK107L	£73.00	HUB, 'bolt-on', wire wheel, LH	1	
37	110366	£1.33	NUTS, for adaptors	8	
38	ATB7190SR	NCA	AXLE, steel wheel, 10 spline	2	1500cc
	ATB7279	NCA	AXLE, steel wheel, 26 spline	2	1600cc To (c)82892
	BTB151	NCA	AXLE, steel wheel, 25 spline	2	1600cc From (c)82893
39	ATB7352	£93.76	HUB, steel wheel	2	
	ATB7391	NCA	HUB, wire wheel	2	
40	1G7435	£2.10	STUD, steel wheel	8	
	ATB7201	£6.80	STUD, wire wheel	8	
41	88G276	£1.85	NUT, steel wheel	8	
	FNZ507	£0.76	NUT, wire wheel	8	
	GHK1133	£20.00	WHEEL BEARING KIT, rear	2	inc. items 40, 43, 44, 45
42	GFG111	£0.36	GASKET, rear hub	2	
43	ATB7354	£0.71	'O' RING	2	
44	GHS211	£2.00	OIL SEAL	2	
45	GHB127	£25.50	BEARING, hub	2	
46	1G7436	£18.00	SPACER	2	steel wheel
47	ATB7181	NCA	HOUSING, differential	1	
48	ATB7283E	£267.50	DIFFERENTIAL ASSEMBLY (4.3:1, 10 spline - Reconditioned with existing CW&P).	1	recon/exchange, COU
	ATB7283EX	£608.00	DIFFERENTIAL ASSEMBLY (4.3:1, 10 spline - Reconditioned with new CW&P).	1	recon/exchange, COU
	BTB1284E	£268.00	DIFFERENTIAL ASSEMBLY (4.3:1, 25 spline - Reconditioned with existing CW&P).	1	recon/exchange, COU
	BTB1284EX	£563.70	DIFFERENTIAL ASSEMBLY (4.3:1, 25 spline - Reconditioned with new CW&P).	1	recon/exchange, COU
	BTB217E	£267.50	DIFFERENTIAL ASSEMBLY (4.3:1, 26 spline - Reconditioned with existing CW&P).	1	recon/exchange, COU
	BTB217EX	£563.70	DIFFERENTIAL ASSEMBLY (4.3:1, 26 spline - Reconditioned with new CW&P).	1	recon/exchange, COU
	BTB1285E	£268.00	DIFFERENTIAL ASSEMBLY (3.9:1, 25 spline - Reconditioned with existing CW&P).	1	recon/exchange, COU
	BTB1285EX	£584.20	DIFFERENTIAL ASSEMBLY (3.9:1, 25 spline - Reconditioned with new CW&P).	1	recon/exchange, COU
	BTB1285ELX	£1,576.20	DIFFERENTIAL ASSEMBLY (3.9:1, 25 spline - Reconditioned with new CW&P & LSD).	1	recon/exchange, COU
	BTB216E	£267.50	DIFFERENTIAL ASSEMBLY (4.55:1, 25 spline - Reconditioned with existing CW&P).	1	recon/exchange, COU
	BTB216EX	£640.60	DIFFERENTIAL ASSEMBLY (4.55:1, 25 spline - Reconditioned with new CW&P).	1	recon/exchange, COU
	BTB216EXL	£1,635.00	DIFFERENTIAL ASSEMBLY (4.55:1, 25 spline - Reconditioned with new CW&P & LSD).	1	recon/exchange, COU

Note: All reconditioned differentials are stripped checked and rebuilt with new bearings & shims. They are only available on a Customer's Own Unit (COU) basis. Please contact your nearest Moss branch to discuss reconditioning your unit.

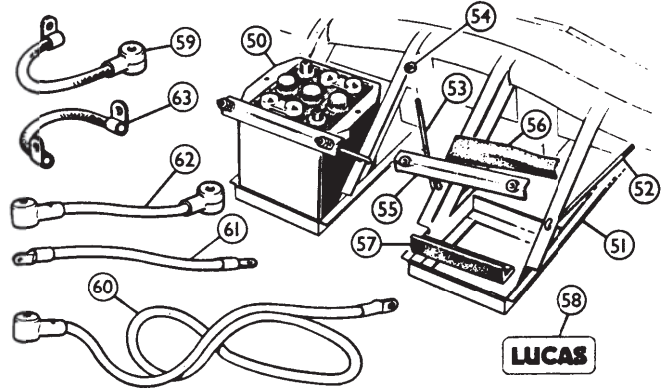
50	ARB101	£7.27	BRACKET REPAIR, check strap	2	weld to axle
	PWZ206	£0.44	WASHER, plain	2	
	GHF333	£0.19	WASHER, spring	2	
	GHF202	£0.12	NUT	2	



Inertia Starter Motor



Dynamo



Battery & Fittings

ill. Part Number Price £ea. Description Req. Details

Pre-Engaged Starter Motor

These powerful 'brand new' (non-exchange) starter motors are high torque, meaning they will not suffer the same fate as the original 'Inertia' type, especially on high compression engines and, they are a direct replacement. No more costly motor rebuilds or excessive battery drain. See the Accessories section or contact your nearest Moss branch for full details.

Inertia Starter Motor

94	GEU9405	£75.00	STARTER, original type, (M35G)	1	exchange
	GXE4405	NCA	STARTER, replacement, (M35J)	1	

The following components fit original Lucas M35G starter motors only.

95	7H5050	NCA	ARMATURE	1	
96	7H5048	NCA	PLATE, drive end	1	
97	7H5049	£2.10	BUSH, drive end	1	
98	27H6768	NCA	PLATE, commutator end	1	
99	511141	£1.99	BUSH, commutator end	1	
100	GSB102	£4.10	BRUSH SET	1	
101	509819A	NCA	SPRING SET, brush	2	as fitted - note
102	47H5341	NCA	SPRING SET, brush	2	inner loops of springs
103	67H5010	£20.50	DRIVE ASSEMBLY	1	
105	BAU5781	£29.50	PINION	1	
106	7H5529	NCA	SLEEVE & NUT	1	
107	501711	NCA	SPRING	1	
108	7H5045	£4.43	SPRING, main	1	
109	47H5342	£14.80	NUT	1	
110	070391	NCA	SUNDRIES KIT, starter	1	
111	BH606131	£0.72	BOLT, starter to gearbox	2	To (c)117330(fine thread)
	53K149	£2.45	BOLT, starter to gearbox	2	From (c)117331(coarse thread)
113	7H5039	NCA	CAP, shaft end	1	

Dynamo

79	AEJ12E	£117.90	DYNAMO, original, (C39)	1	reconditioned
	GEU3101	£62.10	DYNAMO, (C40)	1	new
80	509311A	£43.50	ARMATURE	1	all
	607141A	NCA	FIELD COIL SET	1	all except no. 22258 (C39)
82	7H5388	NCA	PLATE, drive end	1	22258 only (C39)
83	7H5387	NCA	PLATE, commutator end	1	22258 only (C39)
	7H5390	£5.60	BUSH, commutator plate	1	all
84	GGB105	£2.00	BRUSH SET	1	original dynamos marked 22258(C39)

ill. Part Number Price £ea. Description Req. Details

GGB102	£2.24	BRUSH SET	1	original dynamos marked 22700, 22704, and 22715(C40)	
85	RTC466A	£4.21	SPRING, brush, (all)		2
86	NT607041	£0.66	NUT, securing pulley		1
87	WKN404	£0.71	WOODRUFF KEY	1	
88	12G2102	£47.50	PULLEY	1	To (e) 16GAH6395
	12H1178	NCA	PULLEY	1	From (e) 16GAH6396
89	17D11	£11.00	FAN	1	C39 & C40 Dynamos
90	GHF334	£0.24	LOCK WASHER	1	
91	37H6836	NCA	SUNDRIES KIT	1	misc. small parts

To polarise a dynamo:

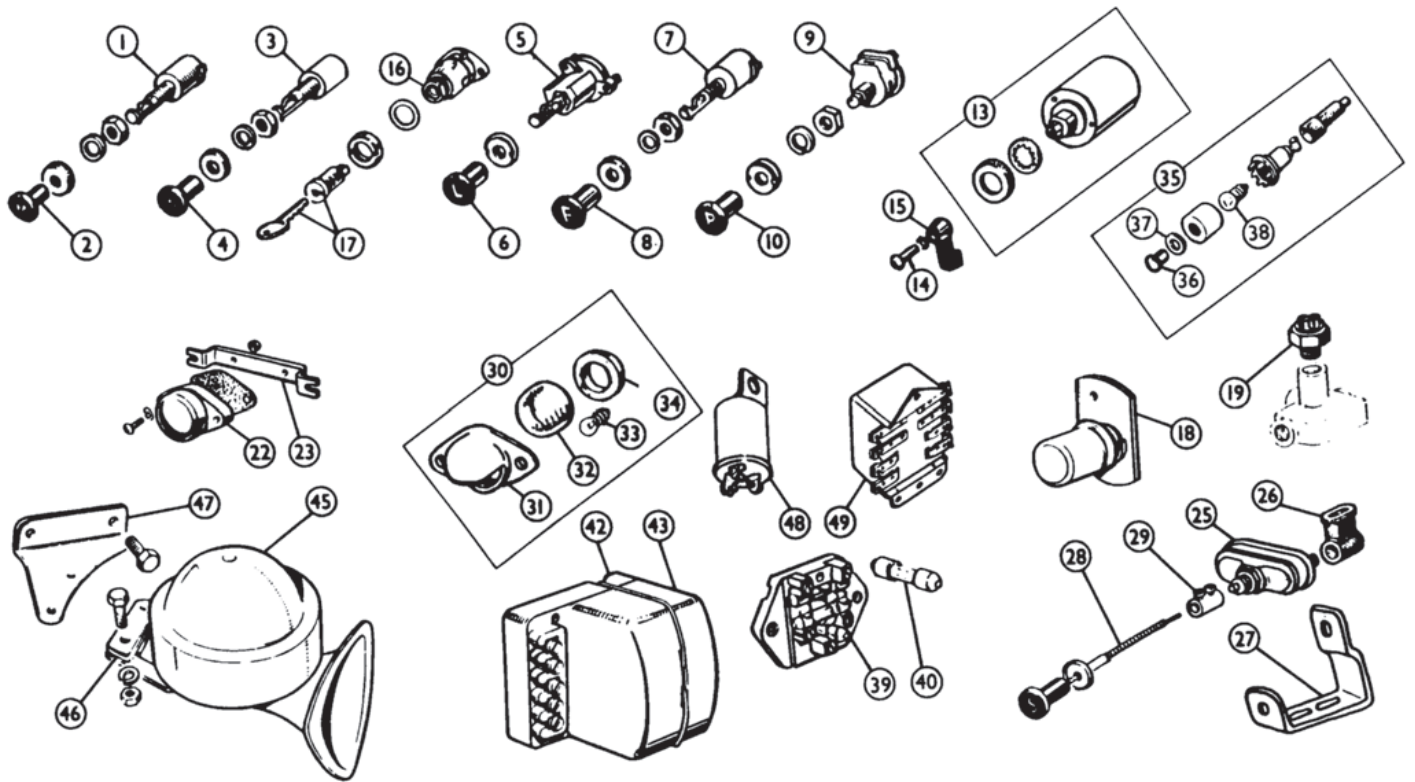
- A) Disconnect the wires and run a wire from the control box 'A' terminal.
- B) Spark the 'A' terminal wire against the dynamo 'F' terminal. Do not hook this up, just a brief touch will do.
- C) Reconnect the dynamo.

Battery & Fittings

50	GBY3031D	£73.00	BATTERY, 6 volt, 57 A/hr, dry	2	
	GBY3031D11	£80.00	BATTERY, 6 volt, 63 A/hr, dry	2	heavy duty
	GBY3031W	£73.00	BATTERY, 6 volt, 57 A/hr, wet	2	
	GBY3031W11	£80.00	BATTERY, 6 volt, 63 A/hr, wet	2	heavy duty

Note: Due to delivery restrictions of hazardous goods, wet batteries can only be delivered by road and sea carrier to UK and mainland Europe. Dry batteries can be delivered worldwide, customers must arrange their own filling of dry batteries with suitable electrolyte and initial charge.

51	473-200	£52.30	CRADLE UNIT, battery, RH	1	weld to chassis
	473-210	£52.30	CRADLE UNIT, battery, LH	1	
	AHH6131B	£45.10	CRADLE, (lower), battery	1	bottom frame only
52	AHH6750	£0.85	HOOK BOLT, long	2	
53	AHH5168	£2.05	HOOK BOLT, short	2	
54	JN2107	£0.19	NUT, half, on hook bolt	8	
55	AHH6353	£1.36	BRACKET, battery hold-down	2	
56	AHH5169	£0.40	AD, bracket, upper	2	
57	AHH6351	£1.30	PAD, bracket	4	
58	CRST191	£2.84	LUCAS DECAL	2	
59	131113	£13.00	CABLE, battery to chassis	1	
60	AHH5449	£27.70	CABLE, battery to starter switch	1	replacement type
61	BHA4133	£10.90	CABLE, starter switch to starter	1	
62	AHH5450	£20.40	CABLE, between batteries	1	
63	2K6167	£8.70	CABLE, engine to chassis	1	



iii. Part Number Price £ea. Description

Horns, Relays & Switches

Part Number	Price £ea.	Description	Req.	Details
1	2H4841	£12.00 SWITCH, map light	1	
2	AHH5362	£3.60 KNOB, map light†	1	
3	2H4841	£12.00 SWITCH, wiper*	1	
4	AHH5364	£3.60 KNOB, wiper switch†	1	with letter 'W'
5	3H3098	£22.50 HEADLIGHT SWITCH	1	
6	AHH5360	£3.60 KNOB, headlight switch†	1	with letter 'L'
7	2H4841	£12.00 SWITCH, fog or driving lamp*	1	
8	AHH5366	£3.60 KNOB, fog light switch†	1	with letter 'F'
9	BHA4278	£56.00 SWITCH, panel light	1	
10	AHH5368	£3.60 KNOB, panel light switch†	1	with letter 'P'
13	AMK5607	£86.00 INDICATOR SWITCH	1	
	11K9308	£3.22 HANDLE, replacement, white	1	
14	17H5483	£0.77 SCREW for handle	1	
15	27H5511	£4.40 HANDLE, original type, black†	1	
16	107936	£13.80 IGNITION SWITCH BODY	1	
17	24G1345	£8.00 BARREL & KEY, ignition	1	
	24G1345Z	£5.70 BARREL & KEY, ignition, aftermarket	1	
	17H2475	£2.50 KEY, blank	a/r	FS series
18	11G2007	£22.50 SWITCH, headlight dip	1	
19	13H2303	£7.20 SWITCH, brake light, (OE type screw)	1	
	C16062A	£4.00 SWITCH, brake light, (alternative Lucas)	1	
	GKS2001X	£20.60 DASH KNOB SET	1	

*Note: These switches are supplied with blank knobs.

†Note: Order our dash knob set, and save over individual prices. Includes all knobs marked †, plus knobs for vent lever, starter or choke and heater cables.

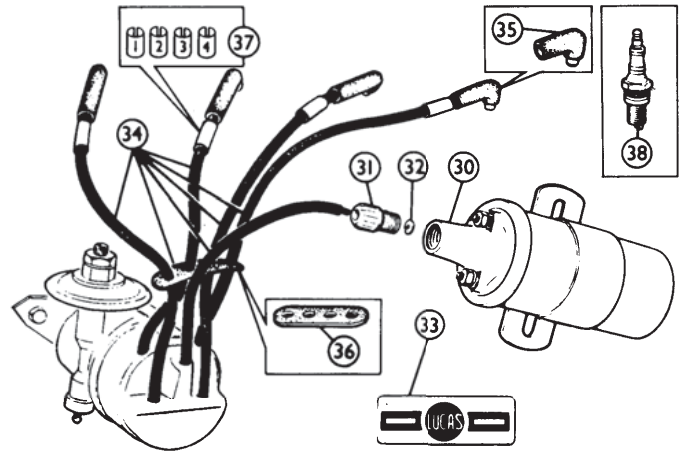
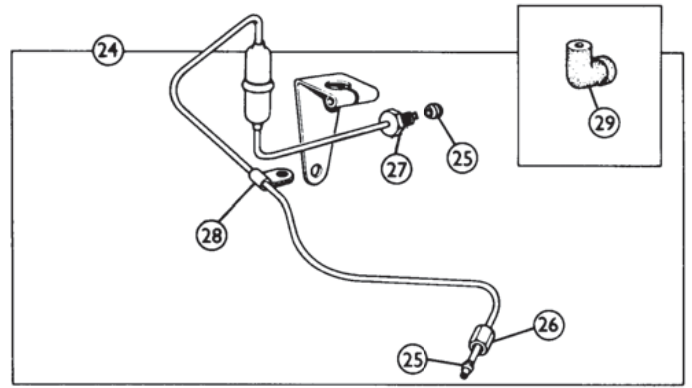
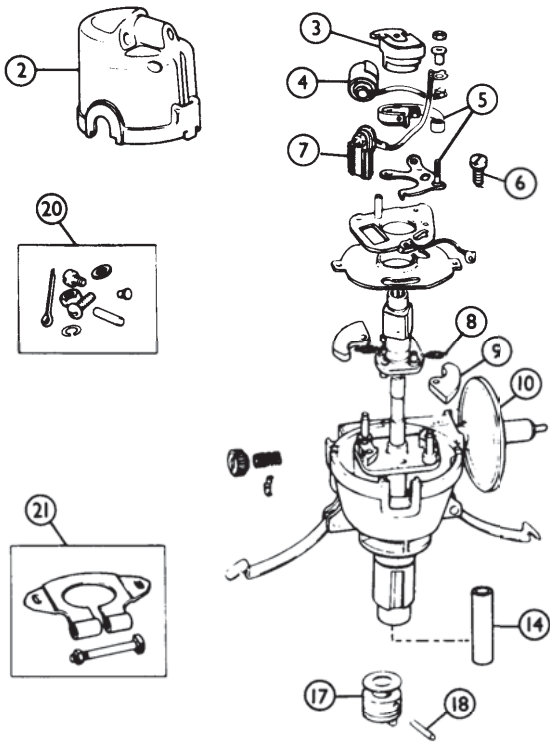
Don't waste time chasing down electrical problems until you have first checked the battery connections. If there is no power at all, it is most likely to be the battery connections, especially if you don't service the battery on a regular basis. The next most likely suspect is the starter switch and its connections. The least likely is the key switch.

22	2H3383	£17.00 HORN PUSH	1	
23	AHH5287	£6.80 BRACKET, horn button	1	
25	3H949	£27.50 STARTER SWITCH	1	
26	8G548	£1.20 BOOT, rubber	2	
27	AHH5002X	£11.60 BRACKET, starter switch	1	welds to chassis
28	AHH5327	£9.50 CABLE, starter	1	RHD
	AHH5330	£12.00 CABLE, starter	1	LHD
29	3H950	£10.00 COUPLER, starter cable	1	

iii. Part Number Price £ea. Description

Carburettor cleaner is a great help in cleaning wiring to identify colour coding, but do not allow a live wire such as the horn lead to spark against the chassis while using it. The resultant spark will cause a flash and may set the wiring loom on fire - amongst other things!

Part Number	Price £ea.	Description	Req.	Details
30	BHA4283	£12.50 MAP LIGHT	1	
31	37H5426	£6.20 COVER	1	
32	606078A	£5.10 GLASS	1	
33	GLB987	£0.50 BULB	1	
34	17H5302	£2.24 SEALING RING	1	
35	37H5182	£22.00 LAMP, turn indicator	1	
36	AJG5046	£3.30 JEWEL, green	1	
37	AAA3763	£0.71 WASHER	1	
38	GLB987	£0.50 BULB	1	
39	1G2613	£14.70 FUSE BOX	1	
40	GFS35X	£0.41 FUSE, 35 amp	a/r	
	GFS50X	£0.34 FUSE, 50 amp	a/r	
42	3H1835	£22.00 REGULATOR	1	
43	7H5522	NCA COVER	1	
	1B9007/8	£68.00 HORNS, pair	1	high & low note
45	1B9007	£32.90 HORN, LH, (low note)	1	Lucas replacement, standard
	1B9008	£32.90 HORN, RH, (high note)	1	Lucas replacement, optional
46	160-200	£19.80 BRACKET, horn mounting	a/r	(included with horns)
47	AAA2107	£24.00 BRACKET, horn, LH, (on chassis)	1	optional
	AAA2088	£24.00 BRACKET, horn, RH, (on chassis)	1	standard, (illustrated)
48	GFU2101	£7.20 FLASHER,	1	original, Lucas
49	3H1454	£58.00 RELAY, indicators	1	1500cc & early Twin Cam



iii. Part Number Price £ea. Description Req. Details

Ignition System

Distributor

1H811	£252.00	DISTRIBUTOR, new, 25D type*	1	1500cc & 1600cc
12H822X	£99.13	DISTRIBUTOR, new, 45D type*	1	1622cc MkII (Lucas 40780) alternative

*Note: These Lucas distributors are fitted with the push-on vacuum connection instead of the original obsolete - and no longer available - screw connection. To connect the original or Moss reproduction metal vacuum advance pipe, remove the nut & compression fitting from the distributor end of the pipe and make the connection with the adaptor (purchase part no. 12B2062 separately).

2	GDC102	£10.20	CAP	1
3	GRA2101	£1.80	ROTOR ARM	1
	GRA2101HQ	£7.50	ROTOR ARM, high quality	1
4	GSC111	£1.90	CONDENSER	1
5	GCS107	£2.30	POINT SET, original type	1
	GCS2101	£2.30	POINT SET, one piece type	1
6	GCS1001S	£0.66	SCREW, point set to breaker plate	1
7	502283	£22.70	TERMINAL BUSH, with lead	1 screw connector
	37H2981	£8.40	TERMINAL BUSH, with lead	1 Lucas connector
8	37H5272	NCA	SPRING SET	1 original distributors, nos.
9	57H5420	NCA	WEIGHT	2 40488A & 40510A, B/D & F
10	515859	£46.00	VACUUM UNIT	1
			(Lucas replacement with push-on connection, as illustrated. Use with adaptor 12B2062 for use with metal vacuum pipe).	
14	606895	£22.00	BUSH	1
17	513679A	£8.15	DRIVING DOG	1
18	057992	£0.40	PIN	1
20	245015	NCA	SUNDRIES KIT	1
21	3H2138	£12.30	CLAMPING PLATE, with bolt	1
24	1H919	£24.80	VACUUM PIPE, pre-formed	1 as original
25	6K649	£0.60	COMPRESSION FITTING, (olive)	2
26	6K650	£3.25	NUT, distributor end	1
27	2A459	£3.20	NUT, carburettor end	1
28	12H90	£1.99	CLIP	1

iii. Part Number Price £ea. Description Req. Details

29	12B2062	£1.10	ADAPTOR	1 see distributor notes
			(Use to connect vacuum pipe to replacement vacuum unit with push-on connector).	

No spark!

The most common tune-up problem results when a set of new points is installed and the car refuses to run. Double check the condenser and terminal wires; they must be insulated from the point set. It is common to place them on top of the insulator, which earth's them to the distributor body. The insulator washer must be fitted under the point spring, and the condenser mounted securely to the breaker plate.

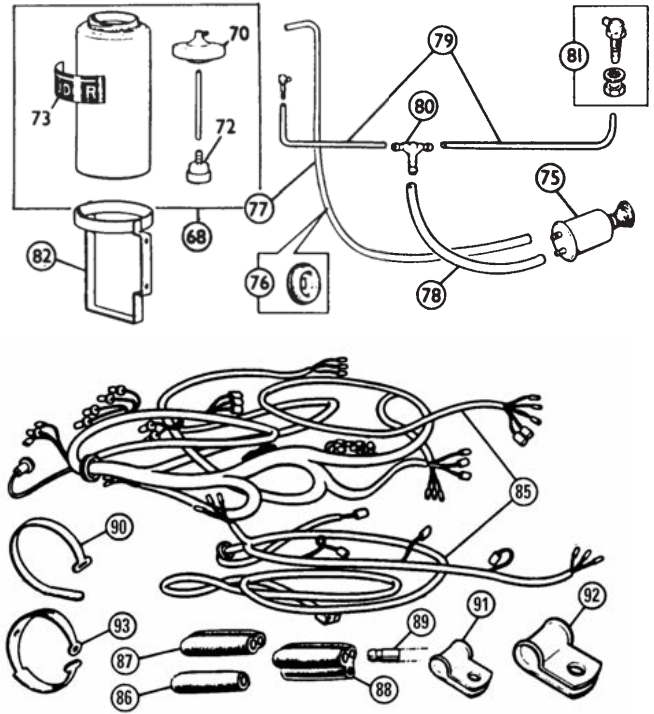
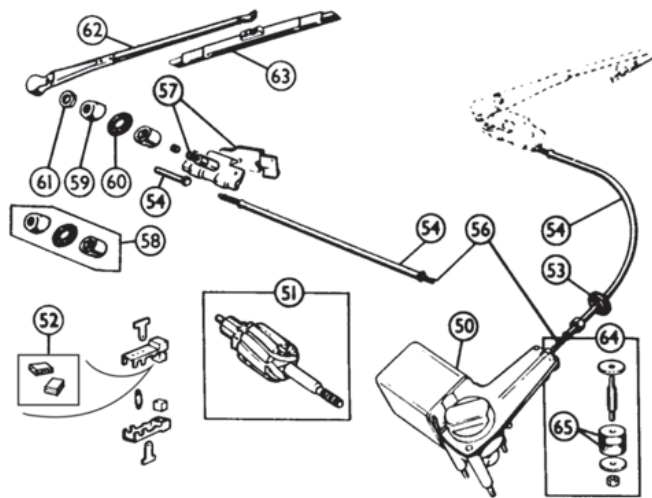
Coil & Ignition Leads

30	GCL101	£13.00	COIL, ignition, 12 volt	1 original screw-in type
	TT2981	£19.30	SPORTS COIL, Lucas	1 push-in HT connector
31	105036	£1.55	NUT, lead securing	1
32	214279A	£0.22	WASHER, copper	1 for GCL110B coil only
33	CRST156	£2.45	DECAL, (Lucas coil)	1
34	GHT102X	£41.20	HT LEAD SET, (original)	1
	GHT102Z	£8.56	HT LEAD SET, with clips	1 push in HT connector
	AAA5981M	£2.90	HT LEAD	a/r sold per metre
35	3H1422	£6.00	SUPPRESSOR, spark plug	4
36	1G2673	£1.85	SEPARATOR, HT Leads	1
37	CRST255	£3.70	LABEL SET, HT leads	1
38	N5C	£2.70	SPARK PLUG, 'Unipart'	4 equivalent to Champion N5C
	GSP4362	£2.00	SPARK PLUG, 'Unipart'	4 equivalent to Champion N9YC
	BP7ES	£3.71	SPARK PLUG, NGK	4 standard
	BP6ES	£3.00	SPARK PLUG, NGK	4 fast road

Reversed Polarity

Reversed polarity at the coil will cause fouled spark plugs and premature point erosion, as well as high-speed break up, although the car will run. The coil connections to the distributor should match the battery earth. For example, on a positive earth car, the positive side should connect to the distributor. Original Lucas coils for positive earth systems were marked 'SW' for switch and 'CB' for the contact breaker. Modern coils are marked '+' and '-'.

When working on the electrical system it is advisable to disconnect the coil switch wire. This precaution will keep the coil and points from overheating, and prevent an accidental start-up.



Part Number	Price £ea.	Description	Req.	Details
Windscreen Wiper & Washer System				
50 LULRW113R	£205.00	WIPER MOTOR, single speed	1	exchange
GXE7714	£205.00	WIPER MOTOR, replacement	1	exchange
51 17H5255	NCA	ARMATURE	1	
52 508170	£6.50	BRUSH SET, carbon, pair	1	
53 C5574A	£2.30	GROMMET	1	
54 AHH5410K	£23.40	WIPER TUBE KIT, 3 piece	1	
56 RTC202A	£8.50	CABLE, inner drive	1	
57 37H6316	£29.00	WHEELBOX	2	
58 BAU1465	£17.00	BEZEL KIT	2	bezel, pad & lower splines
59 ADB826	£4.80	CHROME BEZEL, wheelbox	2	
60 ADC560	£0.44	PAD, wheelbox bezel	2	
61 ANK3459	£1.50	CHROME NUT, wheelbox	2	
62 114485	£14.40	WIPER ARM	2	RHD only
114488	£14.35	WIPER ARM	2	LHD only
63 GWB215	£8.50	WIPER BLADE	2	
64 17H5431	£4.50	WIPER MOTOR MOUNT KIT	3	
65 17H5431X	NCA	GROMMET, rubber	3	
68 GWW918K	£8.20	WASHER BOTTLE	1	bottle cap pipe & valve
70 AHH6848	£4.00	CAP ASSEMBLY	1	
72 GWW506	£1.80	FOOT VALVE, non-return valve	1	
73 CRST124	£1.33	'TUDOR' DECAL	1	
75 GWW102	£20.00	WASHER PUMP, manual	1	
GWW102TRICO	£13.55	WASHER PUMP, manual, Trico	1	
76 RFR503	£1.85	GROMMET, washer tube	1	
77 GWW202M	£0.94	TUBING, container to pump, 1/4"	a/r	metre length
78 GWW202M	£0.94	TUBING, pump to connector, 1/4"	a/r	
79 GWW201M	£1.03	TUBING, connector to jets, 3/16"	a/r	
80 GWW408	£1.00	CONNECTOR, 3 way	1	
81 GWW802	£3.00	JET ASSEMBLY	2	
82 7H9781	NCA	BRACKET, washer bottle	1	alternatives
13H232	£6.20	BRACKET, washer bottle	1	
13H232SS	£6.20	BRACKET, washer bottle, stainless steel	1	

Wiring Looms

85 ML594	£202.00	WIRING LOOM, woven fabric	1	1500cc
ML595	£202.00	WIRING LOOM, woven fabric	1	1600cc, 1600cc MkII & De luxe
ML574	£170.00	WIRING LOOM, PVC bound	1	1500cc, (alternative)
ML575	£170.00	WIRING LOOM, PVC bound	1	1600cc, 1600cc MkII & De luxe, (alternative)
86 104618	£0.31	CONNECTOR, single	a/r	
87 RTC603A	£0.40	CONNECTOR, double	a/r	
88 2H4992	£0.84	CONNECTOR, 3-way	a/r	
89 GHF2200	£0.60	WIRE TIP, for wire end	a/r	
90 2K6640	£3.62	STRAP, rear lamp cable	2	

Part Number	Price £ea.	Description	Req.	Details
91 AHH5248	£1.55	CLIP, battery cable & loom	6	
92 PCR407	£0.85	CLIP, rear lamp loom	2	
93 13H6107	£2.00	RUBBER STRAP	1	

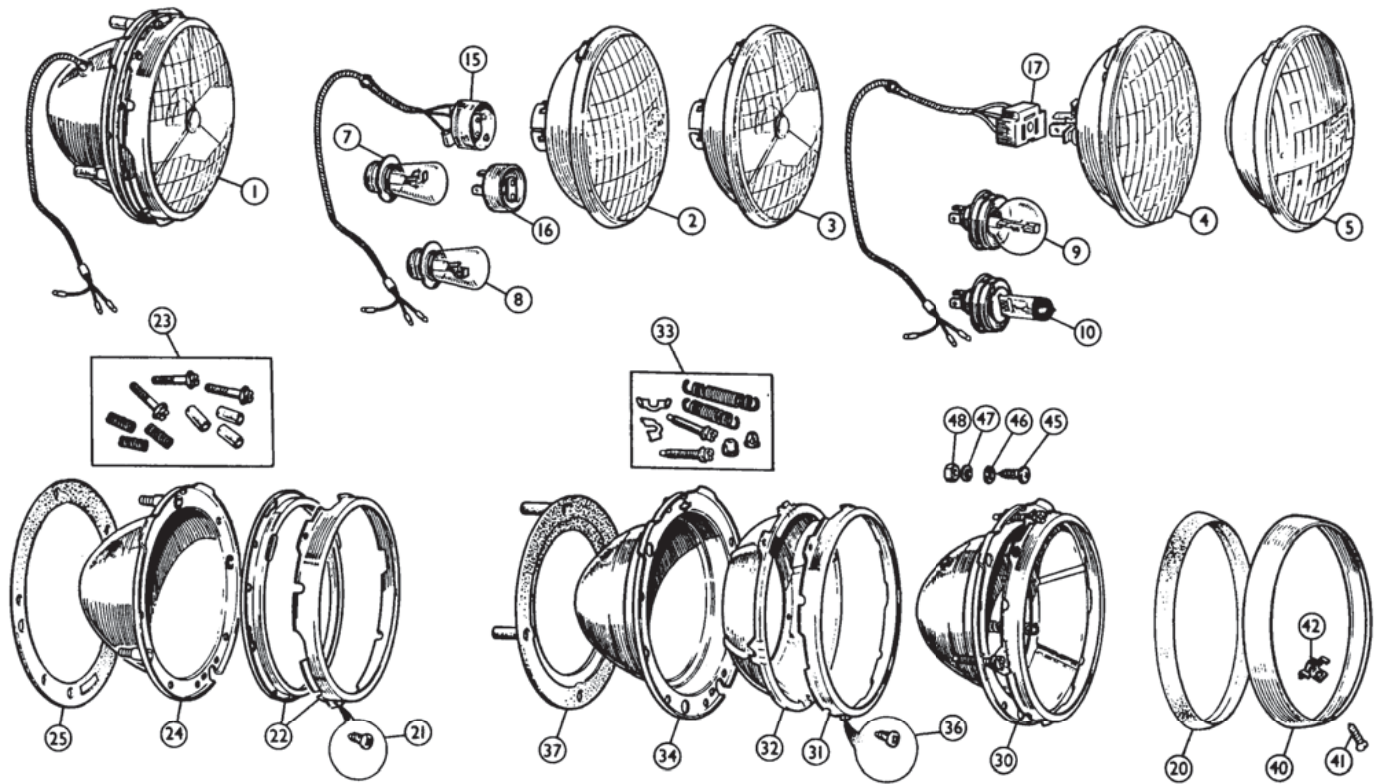
Moss wiring looms include the main loom and all four sub-looms. These are colour coded as original so that your workshop manual wiring diagram can be referred to should any problems arise in the future. Headlamp looms (part number BAU2110) are not included.

Carburettor cleaner is a great help in cleaning wiring to identify colour coding, but do not allow a live wire such as the horn lead to spark against the chassis while using it. The resultant spark will cause a flash and may set the wiring loom on fire - amongst other things!

Electrical Trouble-Shooting

Listed below is a guide for trouble-shooting electrical problems on your MGA and making sense out of standard Lucas wiring loom colour coding. Sorting out electrical problems requires a step-by-step, methodical approach. Identify the problem, examine the wiring diagram, and trace the circuit connection to connection (usually from the live side), until the problem is found. As a rule: Wires do not fail. The bullet connectors may corrode at the ends of the wires (rarely), or the connections may be loose (common!), but the wires are usually OK. Another rule: Wires begin and end outside of the loom. There should never be any reason to cut through the loom binding itself.

- Warning:** Approaching an electrical problem without a test light and wiring diagram is a certain route to insanity.
- Brown:** Battery Circuit. Feeds light and ignition switches from control box terminal A1. Feeds horns from control box terminal A to A1 fuse box terminal. Not used, always live. Accessories are sometimes installed at the fuse box terminal A1, but should always be fused separately.
- Yellow:** Dynamo Circuit. Dynamo terminal D (armature) to control box terminal D and ignition warning light. Live with ignition on.
- White:** Ignition Circuit. All essential requirements when ignition is switched on but are not fused. Live with ignition on.
- Green:** Auxiliary Circuits. Fed through the ignition switch and fused. Live with ignition on.
- Blue:** Headlamp Circuit. Fed from terminal on light switch. Un-fused.
- Red:** Side and Rear Lamp Circuits. Fed from terminal S1 or T on light switch. Includes fog and panel lamps.
- Black:** Earth or Ground Circuits. Components not internally earthed are earthed to the chassis. Un-fused.



Type A

Type B

ill. Part Number Price £ea. Description Req. Details

Headlamps & Fittings

The various designs and types of headlamps originally fitted are too numerous to mention. In addition they are generally not available now. The favourite headlamp type amongst owners the world over is the 'TRIPOD' design. We have reproduced this item in both RHD and LHD formats to accept British Pre Focus (BPF) bulbs of either RHD or LHD to match the lens pattern. Customers wishing to install 'Tripod' type lamps in their cars but have nothing fitted should buy; Bucket & Bowl 27H8263X, Seal 13H565, Chrome Rim 142001, Cable 27H2333 and either LU554308 with GLB414 (RHD lamp & bulb) or LU555296 with GLB415 (LHD lamp and bulb) depending upon which side of the road your car is to be used on. We also offer a selection of Halogen conversion headlamps.

Headlamp Units

1	506370X	£99.60	HEADLAMP, 'tripod'	2	RHD
	506372X	£96.40	HEADLAMP, 'tripod'	2	LHD
	BHM7198	£47.10	HEADLAMP, sealed beam	2	RHD
	512223X	NCA	HEADLAMP, sealed beam	2	RHD
	514579	NCA	HEADLAMP, sealed beam	2	LHD
	27H8495	£54.50	HEADLAMP, BPF lamp	2	RHD
	AEU1061A	£52.50	HEADLAMP, P45T asymmetric	2	LHD
	512224X	£69.30	HEADLAMP, P45T asymmetric	2	LHD
2	GLU501	£40.00	LIGHT UNIT, BPF	2	RHD, LH dipping
3	LU554308	£66.90	LIGHT UNIT, BPF, 'tripod'	2	RHD, LH dipping
	LU555296	£67.00	LIGHT UNIT, BPF, 'tripod'	2	LHD, RH dipping
4	GLU101	NCA	LIGHT UNIT, sealed beam	2	RHD, LH dipping
	BMK2508	NCA	LIGHT UNIT, sealed beam	2	LHD, RH dipping
5	27H4146A	£21.30	LIGHT UNIT, P45T asymmetric	2	LHD, RH dipping
7	GLB414	£3.30	BULB, BPF, clear	2	RHD, LH dipping
8	GLB415	£8.00	BULB, BPF, clear	2	LHD, RH dipping
9	GLB410	£2.75	BULB, P45T, clear	2	
	GLB411	NCA	BULB, P45T, cadmium yellow	2	
10	GLB2983	£8.65	BULB, P45T, halogen, clear	2	
15	27H2333	£12.30	ADAPTOR & CABLES	2	for BPF lamp unit
16	501473	£13.55	ADAPTOR	2	Lucar terminals for BPF lamp
17	BAU2110	£6.30	ADAPTOR	2	Lucar plug connector & cables

Type 'A' Bucket; 3 Adjusters

20	3H2962	£2.80	DUST EXCLUDER, rubber	2	
21	AB606021	£0.20	SCREW, rim retaining	6	
22	17H5205	£15.80	MOUNTING RIM, (2 pieces)	2	
23	17H5394K	£3.80	ADJUSTER KIT	2	3 screws, 3 springs, 3 sleeves
24	7H6838	£20.10	HEADLAMP BUCKET	2	3 adjuster type
25	3H1031	£3.30	SEAL, bucket to body	2	

ill. Part Number Price £ea. Description Req. Details

Type 'B' Bucket; 2 Adjusters

30	27H8263X	£21.10	BUCKET, BOWL & RIM	2	
31	515218A	£5.00	OUTER MOUNTING RING	2	chrome plated
32	SML4	£7.50	INNER MOUNTING RING	2	
	27H6481	£24.50	INNER MOUNTING RING, plastic	2	alternative to SML4
			(Not supplied with bucket, bowl & rim 27H8263X).		
33	BHM7058	£4.20	ADJUSTER KIT	2	
			(Includes: 2 screws, 2 ferrules, 2 springs & 2 clips).		
34	SML3	£13.00	HEADLAMP BUCKET	2	2 adjuster type
20	3H2962	£2.80	DUST EXCLUDER, rubber	2	
36	AB606021	£0.20	SCREW, rim retaining	6	
37	13H565	£2.50	SEAL, bucket to body	2	alternative, fit in pairs

Headlamp Rims

40	142001	£15.20	RIM, headlamp, (screw-on type)	2	
41	RTC465	£0.42	SCREW, rim retaining	2	
42	37H7421A	£1.55	CLIP, rim retaining	2	

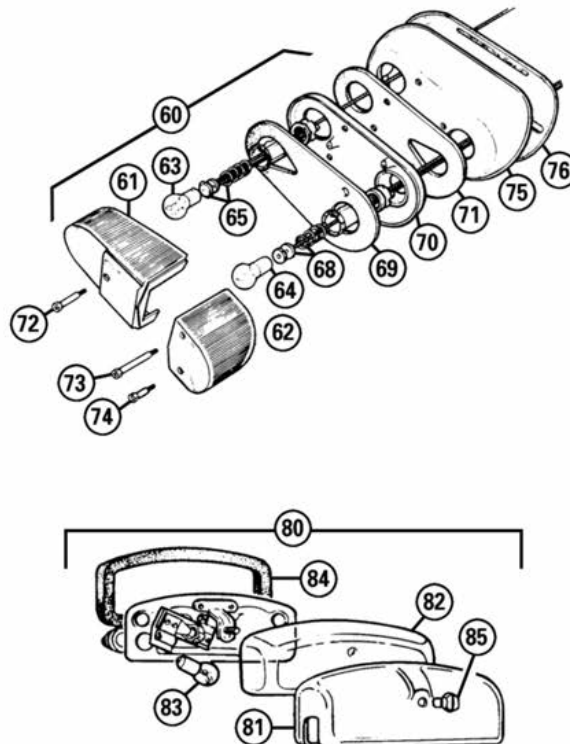
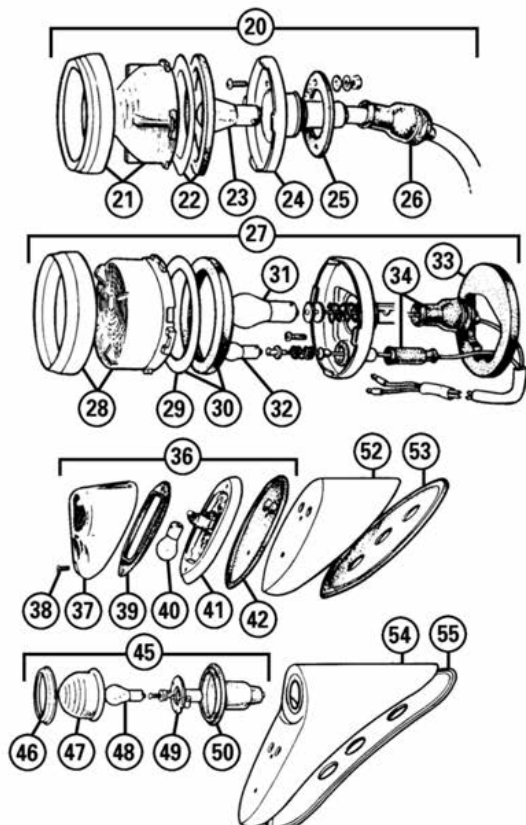
Fittings (Headlamp to Body)

45	PMZ314	£0.44	SCREW	8	
46	GHF306	£0.19	WASHER, plain	8	
47	WL700101	£0.12	WASHER, locking	8	
48	GHF206	£0.08	NUT	8	

Lamp Problems

Two basic tools are essential for trouble shooting electrical problems - a wiring diagram, and a 12 volt test light. A test light is an inexpensive little tool that looks like a cross between an ice pick and an electric screwdriver. Simple to use, it is connected by its clip to an earth. The sharp probe is poked around the 'live' leads. If the lamp lights, there is power, at least to that part of the circuit. For example, clip the test light to a bumper bolt or other good earth and touch the probe to a bulb contact on the 'live' side - the bulb will light (so long as the light is 'on').

Most lamp problems are conveniently in the lamp unit itself. The great majority are caused by bad bulb contacts or corroded earth's. Don't assume that there are major problems until the non-functioning unit is completely inspected. Using the wiring diagram, work your way back through the circuit to the connectors and from there to the source of power such as the fuse box or terminal connector. By this method, you are able to determine whether an entire circuit or the individual unit is at fault. If the circuit is dead, track the problem from the fuse box or battery side of that particular circuit. Proceed through the circuit components one at a time, using the wiring diagram as a guide.



ill.	Part Number	Price £ea.	Description	Req.	Details
Front Lamps					
20	ACC5292	£27.80	FRONT PARKING LAMP	2	1500cc & early Twin Cam
21	17H5428	£12.90	LENS, with rim	2	
22	17H5305K	£5.80	SEAL SET, lens mounting	1	
	17H5305	£2.52	WASHER, plastic	2	
	17H5308	£1.99	WASHER, seating, rubber	2	
23	GLB380	£0.50	BULB	2	
24	AJH5151	£8.45	BASE, front sidelight	2	
25	17H5309	£1.03	RUBBER PAD	2	
26	37H5525	£1.40	RUBBER BOOT	2	
27	13H6396	£35.00	FRONT PARKING LAMP, RHD	2	1600cc & MkII, amber/clear
	13H520	£32.90	FRONT PARKING LAMP, LHD	2	1600cc & MkII, clear
28	47H5507	£19.00	LENS, with rim, amber/clear	2	UK spec
	47H5508	£14.10	LENS, with rim, clear	2	USA spec
29	17H5307	£0.66	RING, lens seating, plastic	1	
30	17H5307K	£7.30	SEAL SET, lens mounting	1	
31	GLB382	£0.60	BULB, turn indicator, large	2	
32	GLB989	£0.71	BULB, parking, small	2	
33	47H5505	£2.62	RUBBER PAD	2	
34	37H5294K	£6.20	BOOT SET, 4 boots	1	

ill.	Part Number	Price £ea.	Description	Req.	Details
Rear Lamps					
36	13H23	£21.10	REAR LAMP	2	1500cc & 1600cc
37	AJA5069	£6.80	LENS, red	2	
	AJA5069Z	£6.30	LENS, red, aftermarket	2	
38	57H5569	£0.65	SCREW, lens	4	
39	AJA5071	£1.90	PAD, lens mounting	2	
40	GLB380	£0.50	BULB	2	
41	AJA5072	£18.10	CHROME BASE	2	
42	AJA5073	£2.50	PAD, rubber	2	
45	2A9013	£14.80	FLASHER LAMP, amber	2	1600cc U.K. spec.
	CHM13	£7.20	FLASHER LAMP, amber, plastic	2	
	2A9040	£14.80	FLASHER LAMP, red	2	1600cc U.S. spec.
46	7H5182	£2.10	RIM, chrome	2	
47	37H5520	£6.20	LENS, amber, glass	2	U.K. spec.
	37H5520Z	£6.50	LENS, amber, glass	2	aftermarket
	37H8130	£2.60	LENS, amber, plastic	2	alternatives
	37H5531	£6.20	LENS, red, glass	2	U.S. spec.
	37H5531Z	£6.50	LENS, red, glass	2	aftermarket
48	GLB382	£0.60	BULB	2	
49	37H5528	£6.00	SOCKET	2	
50	508162	£2.10	BODY, rubber	2	
52	AHH5393	£72.00	PLINTH, LH	1	
	AHH5392	£72.00	PLINTH, RH	1	1500cc

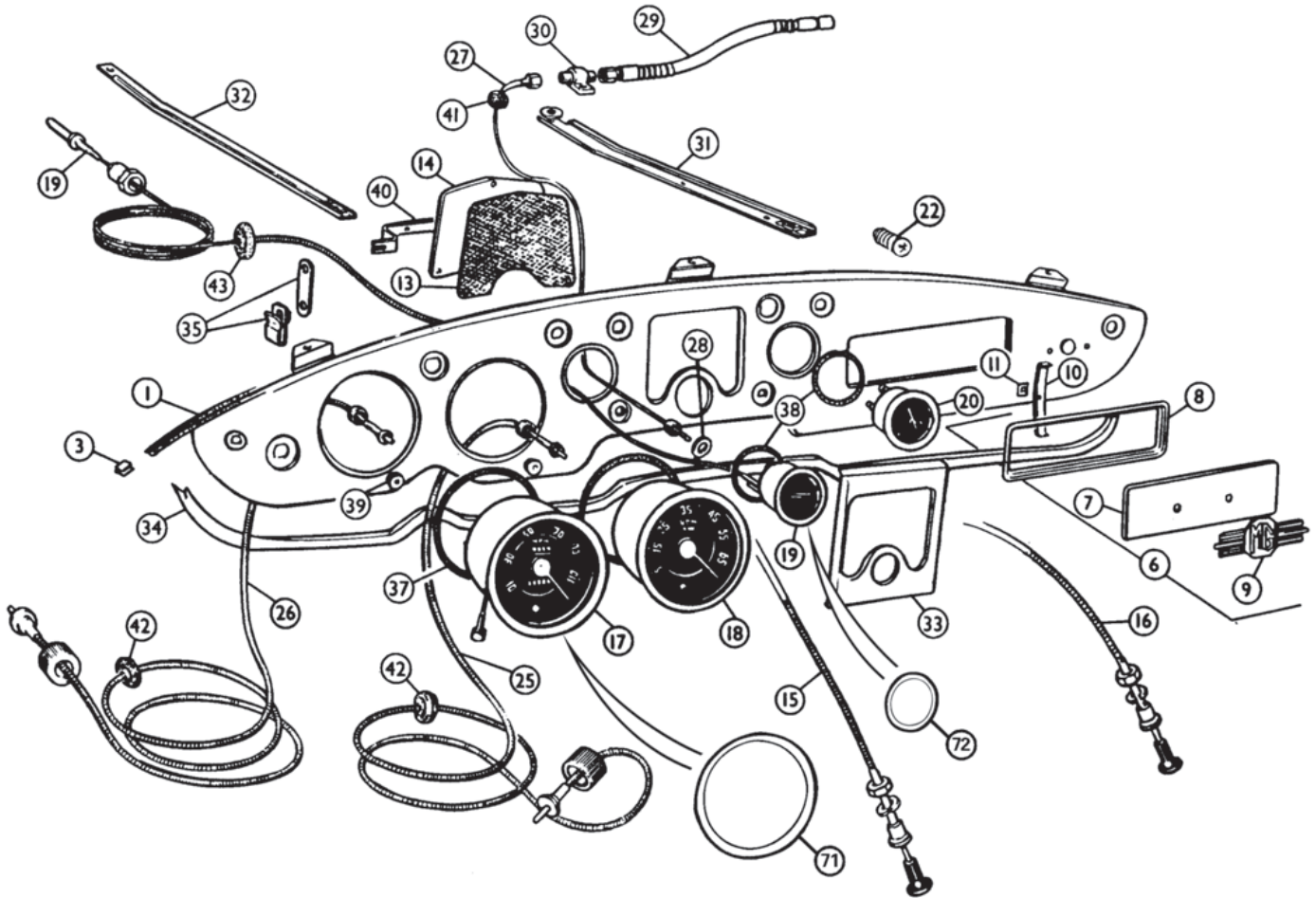
ill.	Part Number	Price £ea.	Description	Req.	Details
53	AHH5505	£5.10	PLINTH PAD	2	
54	AHH5921	£94.00	PLINTH, LH	1	1600cc
	AHH5920	£94.00	PLINTH, RH	1	
55	AHH5918	£8.80	PLINTH PAD	2	
60	BHA4228	£51.80	REAR LAMP, LH	1	U.K. spec, amber lens
	BHA4229	£51.80	REAR LAMP, RH	1	1600cc MkII & De Luxe
61	47H5363	£8.50	STOP/TAIL LENS, LH	1	
	47H5358	£8.50	STOP/TAIL LENS, RH	1	
62	47H5362	£8.50	FLASHER LENS, LH, amber	1	U.K. spec.
	47H5355	£8.50	FLASHER LENS, RH, amber	1	
	47H5479	£20.20	FLASHER LENS, LH, red	1	U.S. spec.
	47H5480	£20.20	FLASHER LENS, RH, red	1	
63	GLB380	£0.50	BULB, stop/tail, dual filament	2	
64	GLB382	£0.60	BULB, flasher, single filament	2	
65	37H5459	£2.75	TERMINAL KIT, bulb socket	2	twin contact
68	37H5452	£2.50	TERMINAL KIT, bulb socket	2	single contact
69	47H5360	£2.68	PAD	2	
70	57H5401		NCA BASE, RH	1	
	57H5400		NCA BASE, LH	1	
71	57H5399	£2.24	PAD	2	
	47H5356K	£8.34	LENS SCREW SET	2	
72	47H5359	£1.24	SCREW, stop/rear light lens	2	
73	47H5356	£1.24	SCREW, long, flasher lens	2	
74	47H5357	£1.24	SCREW, short, flasher lens	2	
75	AHH6118	£76.40	PLINTH, RH	1	
	AHH6119	£76.40	PLINTH, LH	1	
76	AHH6116K	£26.50	PAD SET, plinth	1	

If there is trouble with the rear lamps on your MGA, check the loom earth at the right rear of the chassis (near the rear spring shackle). Clean up this earth as well as the connector bundle. The wiring is exposed to the elements at this point and it is common to find the earth wire broken off.

Number Plate Lamp

ill.	Part Number	Price £ea.	Description	Req.	Details
80	127916	£13.00	NUMBER PLATE LAMP, chrome	1	
	127916Z	£13.00	NUMBER PLATE LAMP, plastic	1	
81	502264	£9.76	COVER, chrome	1	
	502264BLK	£9.62	COVER, black	1	
82	601721A	£4.42	GLASS LENS	1	
83	GLB989	£0.71	BULB	1/2	2 used after 1600cc (c)88844
84	57H5368	£3.22	RUBBER SEAL	1	
85	17H5385	£1.80	CHROME SCREW	1	

Trouble in the number plate lamp is usually corrosion at the bulb holder. Check the wires as they pass through the body and inspect the connector inside the lamp.

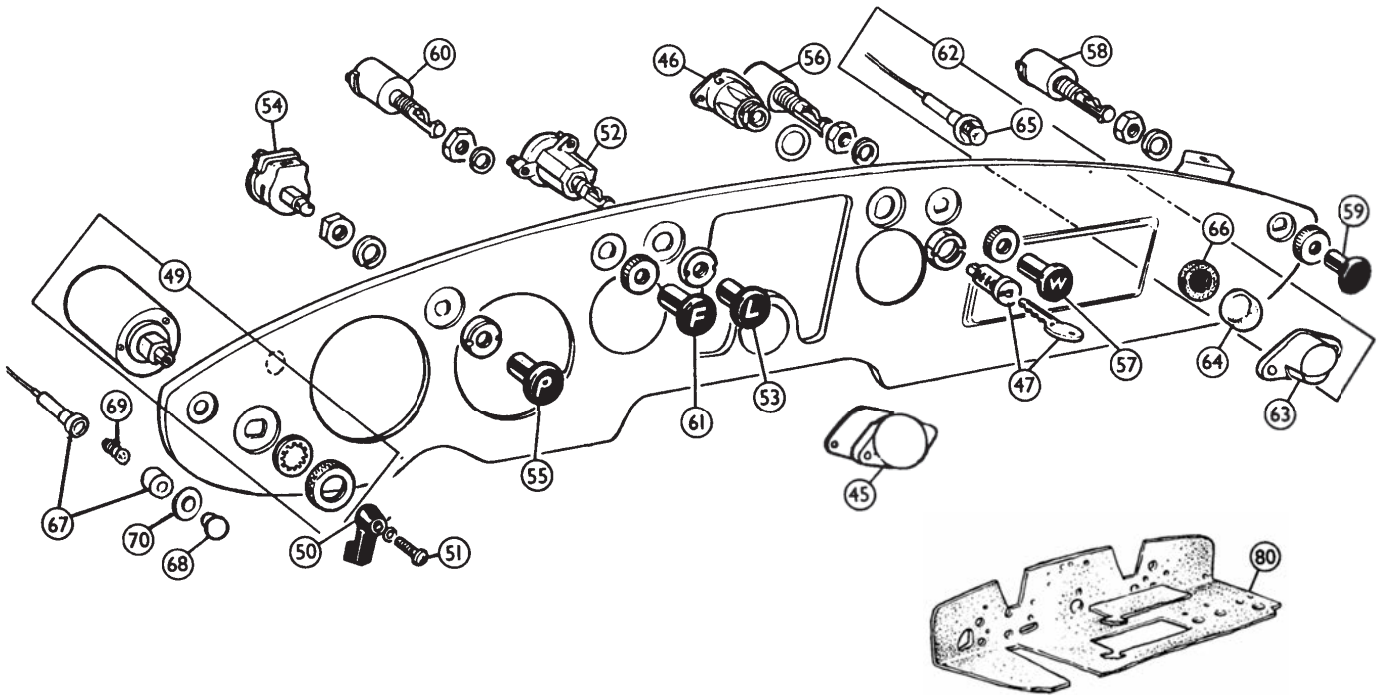


Part Number	Price £ea.	Description	Req.	Details
Instruments & Cables				
ARH57	£270.00	DASH PANEL, RHD, new	1	
ARH58E	£86.00	DASH PANEL, LHD, recon/exchange	1	
1 249-544	£10.44	DASH PIPING, black	a/r	sold pre-cut 1.2m/4ft
249-554	£10.44	DASH PIPING, red	a/r	
249-574	£10.44	DASH PIPING, tan	a/r	
249-604	£10.44	DASH PIPING, white	a/r	
3 ANK5046A	£0.19	CLIP, piping to dash	8	
6 ARH59K	£15.20	RADIO BLANKING PLATE SET	1	
7 ARH59	£5.30	PLATE, blanking	1	
8 AHH5255	£5.00	BEZEL, blanking plate	1	
9 AHH5258	£11.20	BADGE, on plate	1	
10 BHH364	£0.70	CLIP, plate retaining	2	
11 ADB509	£0.24	SPIRE NUT	2	
13 AHH5254	£9.30	SCREEN, speaker	1	
14 AHH5376	£6.70	PLATE, blanking	1	
15 AHH5327	£9.50	STARTER CABLE, RHD	1	with knob, letter 'S'
AHH5330	£12.00	STARTER CABLE, LHD	1	
16 AHH5333	£10.50	CHOKE CABLE, RHD	1	with knob, letter 'C'
AHH5336	£12.00	CHOKE CABLE, LHD	1	

To cut a wound control cable such as the starter, choke or heater cable, pull the control knob out of the outer sheath. The distance between the knob and the mounting bezel should be equal to the amount of cable needed to reach and operate the control. Hold the cable assembly against an anvil (on your bench vice) and cut with a sharp chisel. Cut with one blow, as repeated blows will spread the inner wire. A large, very sharp side cutter can also be used. It is a good idea to leave a little extra inner cable so the end, which soon frays, may be trimmed from time to time. You can also lightly solder the end to prevent fraying.

17 AHH5185E	N/A	SPEEDOMETER, exchange*	1	1500cc to (c)14089
17H292E	£146.40	SPEEDOMETER, exchange*	1	1500cc from (c)14090, 1600cc, Twin Cam (not MkII's)
18 AHH5187E	£61.50	TACHOMETER, exchange*	1	1500cc to (c)14089

Part Number	Price £ea.	Description	Req.	Details
17H300E	£85.00	TACHOMETER, exchange*	1	1500cc from (c)14090, 1600cc, MkII (not Twin Cam)
BHA4083E	£85.36	TACHOMETER, exchange*	1	Twin Cam
AJH5177	£5.18	GAUGE GLASS, speedo & tach	2	4" diameter
19 AHH5188E	£62.70	OIL/WATER GAUGE, exchange*	1	1500cc to (c)14089
17H298E	£101.50	OIL/WATER GAUGE, exchange*	1	all models from (c)14090
20 AHH5189E	£73.20	FUEL GAUGE, exchange*	1	1500cc to (c)14089
17H299E	£102.40	FUEL GAUGE, exchange*	1	all models from (c)14090
502269F	£5.28	GLASS, dual & fuel gauges	2	2" diameter
*Note: Due to the scarcity of MGA gauges, we often have to recondition the customers own gauge. (These gauges are becoming increasingly difficult for us to obtain). To ensure that the correct gauge is supplied always quote the gauge number found on the face of the gauge.				
22 GLB987	£0.50	INSTRUMENT BULB	8	
25 1B9141	£13.00	CABLE, tachometer	1	RHD only
27H1801	£12.50	CABLE, tachometer	1	LHD only
26 GSD109	£9.00	CABLE, speedometer	1	RHD only
GSD114	£9.00	CABLE, speedometer	1	LHD only
27 AHH5323	£15.00	TUBE, oil gauge to fitting	1	
28 2K4936	£0.20	WASHER, leather, oil tube	1	
29 AAA627	£13.00	OIL PIPE, flexible	1	all Coupés
30 AAA628	£10.45	FITTING, tube to flex pipe	1	
31 AFH1712	£17.20	DASH SUPPORT, RH	2	
32 AFH1713	£17.20	DASH SUPPORT, LH	2	
33 AFH4520	£24.80	BEZEL, speaker	1	all Coupés & Twin Cam 1600cc MkII Roadster
34 AFH5477	£67.00	TRIM, dash bottom, LHD	1	1600cc MkII & Twin Cam Roadster
AFH5476	£77.60	TRIM, dash bottom, RHD	1	
AFH4489	£99.68	TRIM, dash bottom, LHD	1	
AFH4488	£80.30	TRIM, dash bottom, RHD	1	
35 BHA4081K	£8.70	CLIP SET, temp. sender tube	1	
37 AJH5178	£0.86	RING, rubber, large, (4")	2	
38 17H1642	£0.50	RING, rubber, small, (2")	2	



ill.	Part Number	Price £ea.	Description	Req.	Details
39	17H1304	£1.30	KNURLED NUT, large	4	speedo & tachometer
	17H932	£1.03	KNURLED NUT, small	2	fuel & dual gauges
40	AHH5287	£6.80	BRACKET, horn button	1	
	GKS2002X	£35.00	GROMMET SET, bulkhead	1	(33 pieces)
41	AAA643	£2.80	GROMMET, oil pipe	1	
42	ACB8474	£1.10	GROMMET	2	speedo & tachometer cables
43	600395	£1.00	GROMMET	1	temp. gauge (capillary)
45	2H3383	£17.00	HORN BUTTON	1	
46	107936	£13.80	IGNITION SWITCH BODY	1	
47	24G1345	£8.00	BARREL & KEY, ignition	1	
	24G1345Z	£5.70	BARREL & KEY, ignition, aftermarket	1	
	17H2475	£2.50	KEY, blank, FS series	a/r	
49	AMK5607	£86.00	TURN SIGNAL SWITCH	1	
50	27H5511	£4.40	HANDLE, original type, black†	1	
	11K9308	£3.22	HANDLE, replacement, white	1	
51	17H5483	£0.77	SCREW for handle	1	
52	3H3098	£22.50	HEADLIGHT SWITCH	1	
53	AHH5360	£3.60	KNOB, headlight switch†	1	with letter 'L'
54	BHA4278	£56.00	SWITCH, panel light	1	

ill.	Part Number	Price £ea.	Description	Req.	Details
59	AHH5362	£3.60	KNOB, map light†	1	
60	2H4841	£12.00	SWITCH, fog or driving lamp	1	with plain unlettered knob
61	AHH5366	£3.60	KNOB, fog light switch†	1	with letter 'F'
	GKS2001X	£20.60	DASH KNOB SET	1	
62	BHA4283	£12.50	MAP LIGHT	1	
63	37H5426	£6.20	COVER	1	
64	606078A	£5.10	GLASS	1	
65	GLB987	£0.50	BULB	1	
66	17H5302	£2.24	SEALING RING	1	
67	37H5182	£22.00	LAMP, turn indicator	1	
68	AJG5046	£3.30	JEWEL, green	1	
69	GLB987	£0.50	BULB	1	
70	AAA3763	£0.71	WASHER, behind jewel	1	
71	27H397	£13.55	BEZEL, replacement 4"	a/r	speedo & tachometer
72	AJH5182	£10.70	BEZEL, replacement 2"	a/r	fuel & temp. gauges

†Note: Order our dash knob set, and save over individual prices. Set includes all 8 knobs marked † on this page, plus 3 knobs for heater control.

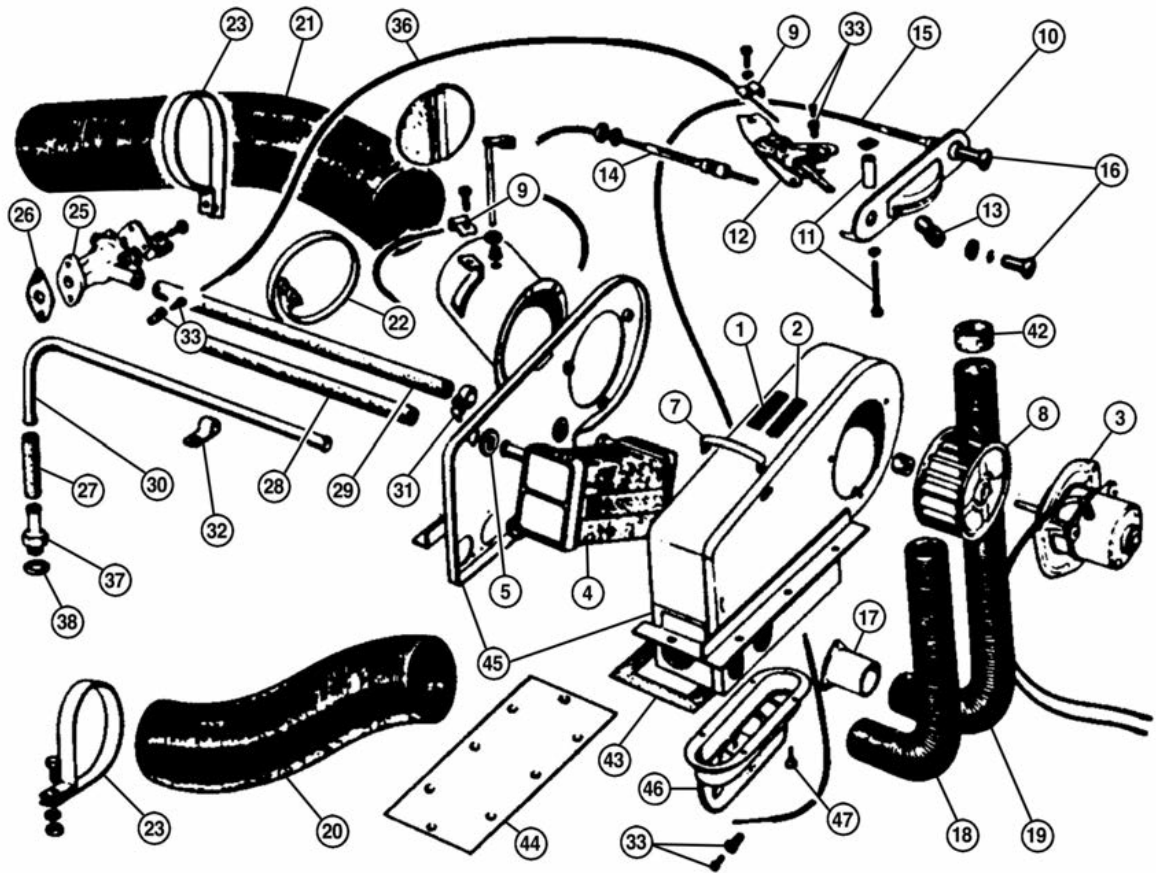
When MGA's were set up for left hand drive, the instrument positions were not changed accordingly. It is a good idea to change the fuel gauge and combination gauge position, as the ignition key switch is located above this important gauge. Your key ring & assorted keys will block your view of the gauge and you may well be distracted by having to move things out of the way in order to see what is going on with your engine. Some owners have also found it desirable to change tachometer and speedometer positions. When working with the dash wiring for any reason, it is a pretty good idea to disconnect the battery! Failure of the green flasher pilot lamp to light when the indicator is flashing is most often a bad earth at the bulb fitting behind the dash. Reach behind the dash and give the bulb holder a turn or two against the dash to tighten, and clean the connection.

Under Dash Pad Sets

80	AFH5596	£82.40	UNDER DASH PAD SET	1	Coupé, RHD
	AFH5597	£88.20	UNDER DASH PAD SET	1	Coupé, LHD

This reproduction of the original Coupé sound-deadener pads fit Roadsters as well. Not only does it reduce cockpit engine noise, but it helps insulate against excess heat in the footwells. Makes motoring in your MGA much more comfortable.

55	AHH5368	£3.60	KNOB, panel light switch†	1	with letter 'P'
56	2H4841	£12.00	SWITCH, wiper	1	with plain unlettered knob
57	AHH5364	£3.60	KNOB, wiper switch†	1	with letter 'W'
58	2H4841	£12.00	SWITCH, map light	1	with correct knob



iii. Part Number Price £ea. Description Req. Details

Heating & Ventilation

1	CRCP302	£2.20	PLATE, 'Smiths'	1	
2	CRCP303	£2.75	PLATE, 'Caution'	1	
3	37H7913	£50.00	HEATER MOTOR	1	
4	37H7914	£61.80	HEATER MATRIX	1	
5	7H1993	£0.76	GROMMET	2	
7	17H1595	£1.03	CLIP, side cover	4	
8	515825	£10.13	FAN	1	
9	27H1193	£1.40	CLAMP, cable	3	
10	17H518	£9.00	PANEL, heater control	1	
11	27H1208K	£4.70	BOLT & SPACER	2	
12	7H1985	£29.00	LEVER & SWITCH	1	
13	17H490	£3.60	KNOB, heater blower, with letter 'B'†	1	
14	611284	£22.70	CABLE, air control	1	less knob
15	612262	£21.50	CABLE, demister control	1	
16	17H827	£3.60	KNOB, control cables†	2	
	GKS2001X	£20.60	DASH KNOB SET	1	

†Note: Order our dash knob set, and save over individual prices. Includes all dash 11 knobs.

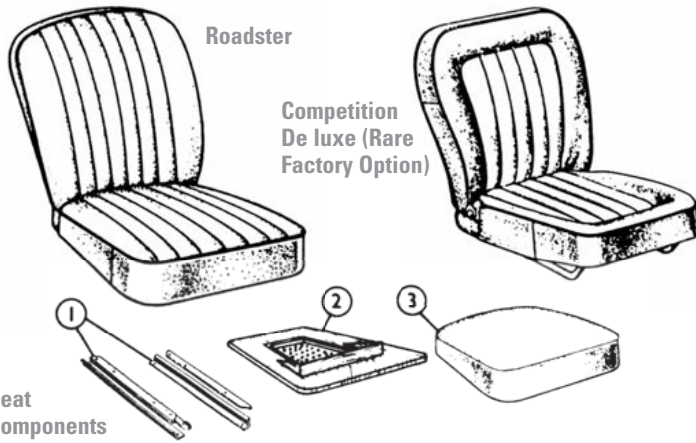
17	AHH5426	£13.00	TUBE, defroster	2	
18	AHH5427	£7.51	AIR HOSE, 14", original type*	1	
19	AHH5428	£10.85	AIR HOSE, 25", original type*	1	
20	AHH5394	£17.60	AIR HOSE, 4" x 18", original type*	2	
21	AHH5430	N/A	AIR HOSE, 4" X 31", original type*	1	
	13H58X	£23.70	AIR HOSE, 4" X 29", original type*	1	alternative to AHH5430

*Note: These hoses are supplied compressed in length, and must be stretched to correct length for installation.

iii. Part Number Price £ea. Description Req. Details

22	14G800	£3.52	CLAMP, for 4" air hose	4	
23	AHH5714	£2.30	CLAMP, for 4" air hose	3	
25	BHA5298	£15.90	VALVE, heater shut off	1	
26	12H3868	£0.40	GASKET	1	
	AHH5434K	£7.96	WATER HOSE SET	1	
27	AHH5434	£1.20	HOSE, 2 1/2"	1	
	AHH5434X	£3.10	HOSE, 2 1/2", silicone	1	
28	AHH5437	£3.14	HOSE, 12 1/2"	1	
	AHH5437X	£15.30	HOSE, 12 1/2", silicone	1	
29	AHH5438	£3.14	HOSE, 14"	1	
	AHH5438X	£17.10	HOSE, 14", silicone	1	
30	AHH5435	£11.00	PIPE	1	
	CS4012	£1.40	HOSE CLIP, wire type	6	alternatives
31	GHC11020	£1.85	HOSE CLIP, jubilee type	6	
32	CP110125	£0.85	CLIP	2	
33	24G1482K	£1.90	CABLE STOP & SCREW	4	
36	BHH679	£3.50	CABLE, water valve	1	
37	AMK8847	£10.15	PIPE ADAPTOR	1	
38	232043A	£0.71	WASHER	1	
42	AHH5429	£4.74	ADAPTOR	2	
43	AHH5253	£5.05	SEAL, heater mounting, rubber	1	
44	AHH5252	£41.00	BLANKING PLATE	1	when heater is not fitted
45	AHH5423	£477.20	HEATER BOX	1	
46	7H1995	£52.80	VENT, heater outlet	1	
47	AB606021	£0.20	SCREW, securing vent flap	4	

Note: Demister vents should be mounted with the vent opening toward the windscreen.



Seat Components

Part Number	Price £ea.	Description	Req.	Details
-------------	------------	-------------	------	---------

Seat Cover Kits & Assemblies

Our trim shop has created a range of seat covers and fully assembled seats that are a unique combination of concours detailing, flute placement and correct stitching that makes our seat covers & assemblies excellent quality and good value for money. The range faithfully replicates the original production colours with contrasting piping as required. We also offer our Honey Tan option for those looking to personalise their MGA but keeping the original style. Please contact us for a free material sample swatch.

Seat Cover Kits - Leather

Seat cover kits are manufactured using only fine grade hides, on the seating faces, and high quality vinyl, on the non-seating faces.

Part Number	Price £ea.	Description	Req.	Details	
246-010	£420.00	SEAT COVER KIT, black/black, leather	1	roadster	
246-040	£420.00	SEAT COVER KIT, black/blue, leather	1		
246-020	£420.00	SEAT COVER KIT, black/red, leather	1		
246-030	£420.00	SEAT COVER KIT, black/white, leather	1		
246-055	£420.00	SEAT COVER KIT, blue/blue, leather	1		
246-065	£420.00	SEAT COVER KIT, grey/grey, leather	1		
246-062	£420.00	SEAT COVER KIT, honey tan, leather	1		
246-050	£420.00	SEAT COVER KIT, red/red, leather	1		
246-060	£420.00	SEAT COVER KIT, tan/tan, leather	1		
246-070	£390.00	SEAT COVER KIT, black/black, leather	1		
246-100	£390.00	SEAT COVER KIT, black/blue, leather	1	coupé	
246-080	£390.00	SEAT COVER KIT, black/red, leather	1		
246-090	£390.00	SEAT COVER KIT, black/white, leather	1		
246-115	£390.00	SEAT COVER KIT, blue/blue, leather	1		
246-125	£390.00	SEAT COVER KIT, grey/grey, leather	1		
246-122	£390.00	SEAT COVER KIT, honey tan, leather	1		
246-110	£390.00	SEAT COVER KIT, red/red, leather	1		
246-120	£390.00	SEAT COVER KIT, tan/tan, leather	1		
246-244	£800.00	SEAT COVER KIT, black/black, leather	1		competition De luxe
246-243	£800.00	SEAT COVER KIT, black/blue, leather	1		
246-242	£800.00	SEAT COVER KIT, black/red, leather	1		
246-241	£800.00	SEAT COVER KIT, black/white, leather	1		
246-247	£800.00	SEAT COVER KIT, grey/grey, leather	1		
246-245	£800.00	SEAT COVER KIT, red/red, leather	1		
246-246	£800.00	SEAT COVER KIT, tan/tan, leather	1		

Seat Cover Kits - Vinyl

The vinyl kits, like our leather kits, offer premium materials and factory original styles.

Part Number	Price £ea.	Description	Req.	Details	
246-130	£262.50	SEAT COVER KIT, black/black, vinyl	1	roadster	
246-160	£262.50	SEAT COVER KIT, black/blue, vinyl	1		
246-140	£262.50	SEAT COVER KIT, black/red, vinyl	1		
246-150	£262.50	SEAT COVER KIT, black/white, vinyl	1		
246-182	£262.50	SEAT COVER KIT, honey tan, vinyl	1		
246-170	£262.50	SEAT COVER KIT, red/red, vinyl	1		
246-180	£262.50	SEAT COVER KIT, tan/tan, vinyl	1		
246-190	£257.50	SEAT COVER KIT, black/black, vinyl	1		coupé
246-220	£257.50	SEAT COVER KIT, black/blue, vinyl	1		
246-200	£257.50	SEAT COVER KIT, black/red, vinyl	1		
246-210	£257.50	SEAT COVER KIT, black/white, vinyl	1		
246-230	£257.50	SEAT COVER KIT, red/red, vinyl	1		
246-240	£257.50	SEAT COVER KIT, tan/tan, vinyl	1		

Seat Assemblies - Leather

Trimming seats can be a difficult job, so we offer roadster and competition De luxe seats fully assembled and upholstered, with new frames & foams, ready to simply bolt into the car (runners & hardware not included). This is a great option for customers who want simple, cost effective way to a great looking interior.

Part Number	Price £ea.	Description	Req.	Details
246-118	£1,350.00	Seat Assembly, black/white, leather	1	roadster
246-128	£1,350.00	Seat Assembly, black/red, leather	1	
246-148	£1,350.00	Seat Assembly, black/blue, leather	1	
246-138	£1,350.00	Seat Assembly, black/black, leather	1	
246-158	£1,350.00	Seat Assembly, red/red, leather	1	
246-178	£1,350.00	Seat Assembly, grey/grey, leather	1	
246-168	£1,350.00	Seat Assembly, tan/tan, leather	1	
246-198	£1,350.00	Seat Assembly, honey tan, leather	1	
246-188	£1,350.00	Seat Assembly, blue/blue, leather	1	
246-251	£1,800.00	Seat Assembly, black/white, leather	1	
246-252	£1,800.00	Seat Assembly, black/red, leather	1	
246-253	£1,800.00	Seat Assembly, black/blue, leather	1	

Part Number	Price £ea.	Description	Req.	Details
246-254	£1,800.00	Seat Assembly, black/black, leather	1	coupé
246-255	£1,800.00	Seat Assembly, red/red, leather	1	
246-256	£1,800.00	Seat Assembly, tan/tan, leather	1	
246-257	£1,800.00	Seat Assembly, grey/grey, leather	1	

Armrest Kit

Part Number	Price £ea.	Description	Req.
246-012	£88.00	Armrest Kit, black, leather	1
246-042	£88.00	Armrest Kit, black/blue, leather	1
246-022	£88.00	Armrest Kit, black/red, leather	1
246-032	£88.00	Armrest Kit, black/white, leather	1
246-013	£60.00	Armrest Kit, black, vinyl	1
246-023	£60.00	Armrest Kit, black/red, vinyl	1
246-033	£60.00	Armrest Kit, black/white, vinyl	1

Note: We make every effort to match colours as closely as possible. However, older trim materials discolour over time and we cannot guarantee matching existing or other manufacturer's colours. If you are replacing a complete interior please order all kits at the same time for an 'as close as possible' colour match.

Seat Components

Part Number	Price £ea.	Description	Req.	Details
1	AHH5511K	SEAT SLIDE, pair, LH seat*	1	plywood, with riser & screen
	AHH5512K	SEAT SLIDE, pair, RH seat*	1	
	GBK2112X	SEAT SLIDE INSTALLATION KIT*	1	
2	AFH2607	BASE, LH*	1	Roadster & Coupé
	AFH2606	BASE, RH*	1	
3	AFH5805	SEAT FOAM, bottom, LH*	1	competition seats
	AFH5804	SEAT FOAM, bottom, RH*	1	
	SFA2005	PAD, seat back	2	Roadster & Coupé
	SFA2004	SEAT FOAM SET*	1	
	SBB2001	SEAT SQUAB BACKBOARD*	2	
	SFA2001	SEAT FRAME, RH	1	Roadster
	SFA2002	SEAT FRAME, LH	1	
	SFA2006	SEAT FRAME, RH	1	Coupe
	SFA2007	SEAT FRAME, LH	1	

Note: These items are for 'standard' Roadster & Coupé seats only. They do not fit the competition De luxe seat.

Carpet Kits

Our high quality, hard wearing carpet kits are carefully patterned and cut to ensure a proper fit with ease of installation, these carpet sets include the correct rubber heel mat, all necessary studs, snaps, and edge binding where original.

Carpet Kits - Main Cockpit

Part Number	Price £ea.	Description	Req.	Details
242-705	£172.00	CARPET KIT, main, black, LHD	1	all models
242-706	£172.00	CARPET KIT, main, black, RHD	1	
242-725	£172.00	CARPET KIT, main, grey, LHD	1	
242-726	£172.00	CARPET KIT, main, grey, RHD	1	
242-717	£172.00	CARPET KIT, main, honey tan, LHD	1	
242-719	£172.00	CARPET KIT, main, honey tan, RHD	1	
242-715	£172.00	CARPET KIT, main, red, LHD	1	
242-716	£172.00	CARPET KIT, main, red, RHD	1	

Carpet Kits - Rear Cockpit

Part Number	Price £ea.	Description	Req.	Details
242-835	£41.00	CARPET KIT, rear, black	1	roadster
242-905	£41.00	CARPET KIT, rear, grey	1	
242-849	£41.00	CARPET KIT, rear, honey tan	1	coupé
242-845	£41.00	CARPET KIT, rear, red	1	
242-975	£42.00	CARPET KIT, rear, black	1	
242-915	£42.00	CARPET KIT, rear, grey	1	
242-987	£42.00	CARPET KIT, rear, honey tan	1	
242-985	£42.00	CARPET KIT, rear, red	1	

Carpet Kits - Boot

Part Number	Price £ea.	Description	Req.	Details
242-815	£68.50	CARPET KIT, boot, black	1	all models
242-925	£68.50	CARPET KIT, boot, grey	1	
242-829	£68.50	CARPET KIT, boot, honey tan	1	
242-825	£68.50	CARPET KIT, boot, red	1	

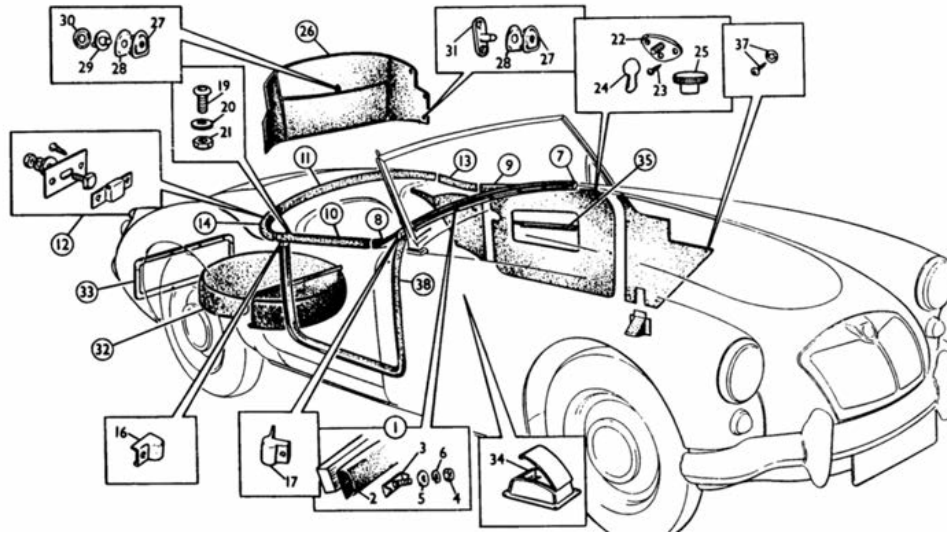
Spare Wheel Covers

Part Number	Price £ea.	Description	Req.	Details
242-465	£77.30	SPARE WHEEL COVER, black	1	1500
242-935	£72.00	SPARE WHEEL COVER, grey	1	
242-477	£75.00	SPARE WHEEL COVER, honey tan	1	
242-475	£77.30	SPARE WHEEL COVER, red	1	1600
246-435	£74.10	SPARE WHEEL COVER, black	1	
242-945	£72.00	SPARE WHEEL COVER, grey	1	
246-447	£72.00	SPARE WHEEL COVER, honey tan	1	
246-445	£74.10	SPARE WHEEL COVER, red	1	

Note: We make every effort to match colours as closely as possible. However, older trim materials discolour over time and we cannot guarantee matching existing or other manufacturer's colours. If you are replacing a complete interior please order all kits at the same time for an 'as close as possible' colour match.

Carpet Fittings

Part Number	Price £ea.	Description	Req.
552650	£0.60	FASTENER, socket, 'Lift the Dot'	16
552650Z	N/A	FASTENER, socket, 'Lift the Dot'	16 unbranded
552651	£0.42	CLINCH PLATE	16 for 'Lift the Dot' socket
552667	£0.90	PEG, 'Lift the Dot'	12 for wood panels
97H717	£1.00	PEG, 'Lift the Dot'	4 for steel panels
WL700101	£0.12	WASHER, locking	4 for 97H717
GHF206	£0.08	NUT	4



ill. Part Number Price £ea. Description Req. Details

Our range of interior trim is a must for your MGA. Whether you're planning a restoration or just tidying up an old interior our range of seat, carpets and trim panels will finish off your car perfectly.

Cockpit Trim Panel Kits

De luxe Panel Kits:

Made as original from durable vinyl, the de luxe kit includes two front kick panels, two front chassis covers, two door panels, two assembled door pockets for the Roadsters and two rear kick panels. The kit also includes sufficient vinyl and piping to cover all door and cockpit rails, and 1600cc MkII and Coupé dashboards, and black vinyl to cover MkII and Coupé scuttle panels (between dash and windscreen). For a free sample of the materials please contact your nearest Moss branch.

Basic Panel Kits:

While not as complete as our de luxe kits, these budget kits (for Roadsters only) are made to the same quality. These kits include two door panels, two front kick panels, two front chassis covers that are fully finished and ready to install. The kit also includes sufficient vinyl and piping to cover all cockpit rails, late vinyl-covered dashboards and existing door pockets.

Trim Kits

246-310	£222.00	TRIM KIT, black/black, De luxe	1	roadster
246-340	£222.00	TRIM KIT, black/blue, De luxe	1	
246-320	£222.00	TRIM KIT, black/red, De luxe	1	
246-330	£222.00	TRIM KIT, black/white, De luxe	1	
246-355	£222.00	TRIM KIT, blue/blue, De luxe	1	
246-365	£222.00	TRIM KIT, grey/grey, De luxe	1	
246-362	£222.00	TRIM KIT, honey tan/honey tan	1	
246-350	£222.00	TRIM KIT, red/red, De luxe	1	
246-360	£222.00	TRIM KIT, tan/tan, De luxe	1	
246-250	£148.00	TRIM KIT, black/black, basic	1	
246-280	£148.00	TRIM KIT, black/blue, basic	1	
246-260	£148.00	TRIM KIT, black/red, basic	1	
246-270	£148.00	TRIM KIT, black/white, basic	1	
246-302	£148.00	TRIM KIT, honey tan, basic	1	
246-290	£148.00	TRIM KIT, red/red, basic	1	
246-300	£148.00	TRIM KIT, tan/tan, basic	1	
246-370	£308.00	TRIM KIT, black/black, De luxe	1	
246-400	£308.00	TRIM KIT, black/blue, De luxe	1	
246-380	£308.00	TRIM KIT, black/red, De luxe	1	
246-390	£308.00	TRIM KIT, black/white, De luxe	1	
246-415	£308.00	TRIM KIT, blue/blue, De luxe	1	
246-425	£308.00	TRIM KIT, grey/grey, De luxe	1	
246-422	£308.00	TRIM KIT, honey tan, De luxe	1	
246-410	£308.00	TRIM KIT, red/red, De luxe	1	
246-420	£308.00	TRIM KIT, tan/tan, De luxe	1	
				roadster
				coupé

Cockpit Fittings

1	AFH2555K	£71.90	FRONT RAIL, uncovered	1	rubber, hardware, end caps
2	AFH2555X	£16.50	RUBBER STRIP	1	
3	AFH1900	£2.70	'T' BOLT	6	
4	GHF206	£0.08	NUT	6	
5	PWZ203	£0.12	WASHER, plain	6	
6	WL700101	£0.12	WASHER, locking	6	
7	AFH2557X	£13.00	DOOR CORNER RAIL, LH	1	aluminium
8	AFH2556X	£13.00	DOOR CORNER RAIL, RH	1	
9	AFH2557	£23.20	DOOR TOP RAIL, LH	1	
10	AFH2556	£23.20	DOOR TOP RAIL, RH	1	wood
11	AFH2566	£30.00	REAR COCKPIT RAIL	1	
12	AFH2819K	£22.90	HARDWARE SET, rear rail	1	
	AFH2110K	£10.60	HARDWARE SET, door rails	2	item 20 not included
13	AFH2559	£15.80	REAR CORNER RAIL, LH	1	aluminium
14	AFH2558	£15.80	REAR CORNER RAIL, RH	1	
	AFH2574-7	£21.20	DOOR SEAL FINISHER SET	1	chrome
16	AFH2576	£6.30	FINISHER, RH, rear*	1	

17	AFH2577	£6.30	FINISHER, LH, rear*	1
	AFH2574	£6.60	FINISHER, RH, front	1
	AFH2575	£6.30	FINISHER, LH, front	1
	AB606053	£0.42	SCREW, chrome, finisher	8

*Note: The rear door seal finishers supplied are the type used prior to car number 101292 (ie. the last 7800 cars). Although the late finishers are not available, the early ones may be easily trimmed to match them.

19	AFH1744	£5.70	SOCKET, side screen	2
20	AFH2579	£1.64	WASHER	2
21	FNZ208	£0.40	NUT, for socket	2
22	AAA5154	£7.40	PLATE, side screen	2
23	AD608053	£0.29	SCREW	6
24	MB19331	£5.40	NUT, side screen	2
25	AFH6620	£4.69	NUT, side screen	2

Side Screen Stowage Bags

Completely pre-cut & sewn ready for simple installation behind the seats. Order the colour to match your interior, tan, red or black.

Note: These stowage bags are not included in the combination upholstery kits.

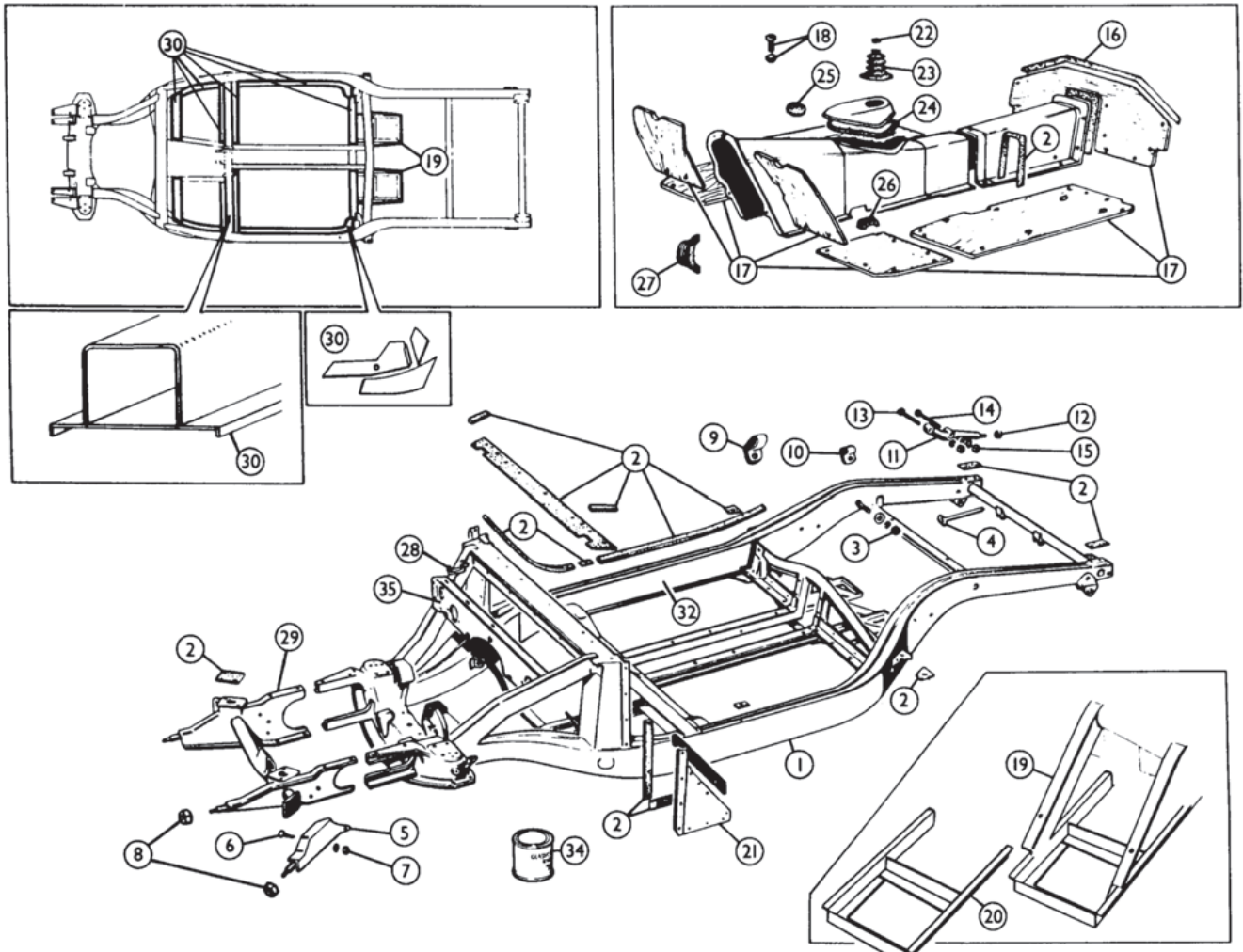
26	243-280	£143.80	STOWAGE BAG, side screen, black	1
	243-300	£143.80	STOWAGE BAG, side screen, red	1
	243-290	£143.80	STOWAGE BAG, side screen, tan	1
	243-350	£143.80	STOWAGE BAG, side screen, grey	1
	243-302	£143.80	STOWAGE BAG, side screen, honey tan	1
	AFH6856	£150.00	STOWAGE BAG, side screen, black	1
	AFH6854	£150.00	STOWAGE BAG, side screen, red	1
	AFH6855	£150.00	STOWAGE BAG, side screen, tan	1
	243-355	£160.00	STOWAGE BAG, side screen, grey	1
	243-307	£153.90	STOWAGE BAG, side screen, honey tan	1

Note: Ready-made for simple installation behind the seats. Order the colour to match your Interior. Side screen stowage bags are not included with the trim panel kits.

27	552650	£0.60	FASTENER, socket, 'Lift the Dot'	7
	552650Z	NCA	FASTENER, socket, 'Lift the Dot'	7
28	552651	£0.42	CLINCH PLATE	7
29	7H9964	£1.03	PRONGED CLINCH	1
30	7H9960	£0.50	PLATE CLINCH	1
31	LFP116	£1.30	STUD, flanged	6
32	242-465	£77.30	SPARE WHEEL COVER, black	1
	242-935	£72.00	SPARE WHEEL COVER, grey	1
	242-477	£75.00	SPARE WHEEL COVER, honey tan	1
	242-475	£77.30	SPARE WHEEL COVER, red	1
	246-435	£74.10	SPARE WHEEL COVER, black	1
	242-945	£72.00	SPARE WHEEL COVER, grey	1
	246-447	£72.00	SPARE WHEEL COVER, honey tan	1
	246-445	£74.10	SPARE WHEEL COVER, red	1

33	AFH1731	£13.15	FRAME, (spare wheel cover)	1
34	AHH7061	£27.00	ASHTRAY	1
35	AFH1899	£6.00	STIFFENER, door panel	2
			(These stiffener bars should be painted to match the door panels. They're often missing, but are necessary to properly support the door panels).	
37	GBK2111X	£10.50	SCREW SET, door & trim panels	1
			(Includes 50 chrome screws & 50 chrome cup washers).	
38	DEA4001	£17.00	DOOR SEAL, Furlflex, black	2
	DER4001	£11.70	DOOR SEAL, Furlflex, red	2
	DEA4001M	£11.51	DOOR SEAL, Furlflex, black	a/r
	DER4001M	£11.51	DOOR SEAL, Furlflex, red	a/r

Note: We supply roadster door seals pre-cut to 2 metres, available in black or red. For coupé models please order 3 metres of door seal.



iii. Part Number Price £ea. Description Req. Details

MGA 'Sequential' Body Assembly

The sequential assembly of the MGA afforded simplicity and economy of effort in construction. Recalling how the car was assembled at the factory will be of great help when you attempt to take it apart and re-assemble it. The MGA line moved at the rate required to carry out the assembly correctly. There was a minimum of hurry, although the workers were able to assemble several hundred cars a week. MGA components were first built into sub-assemblies in side bays and 'hung' on the chassis as complete units. Engines, rear ends and interiors rapidly came together to make an MGA which was then driven off the line. Each car was inspected thoroughly before being consigned to a shipment. If you attempt to subvert the sequential system while working on your MGA it can cause problems. Don't fight it. Remember that one layer of parts removed will reveal another layer, and parts have to be disassembled in proper order.

Chassis

1	AHH5002E	NCA	CHASSIS, reconditioned	1	1500cc
	AHH5950E	NCA	CHASSIS, reconditioned	1	1600cc
	AHH6131E	NCA	CHASSIS, reconditioned	1	1600cc MkII
	AHH5708E	NCA	CHASSIS, reconditioned	1	Twin Cam & De luxe

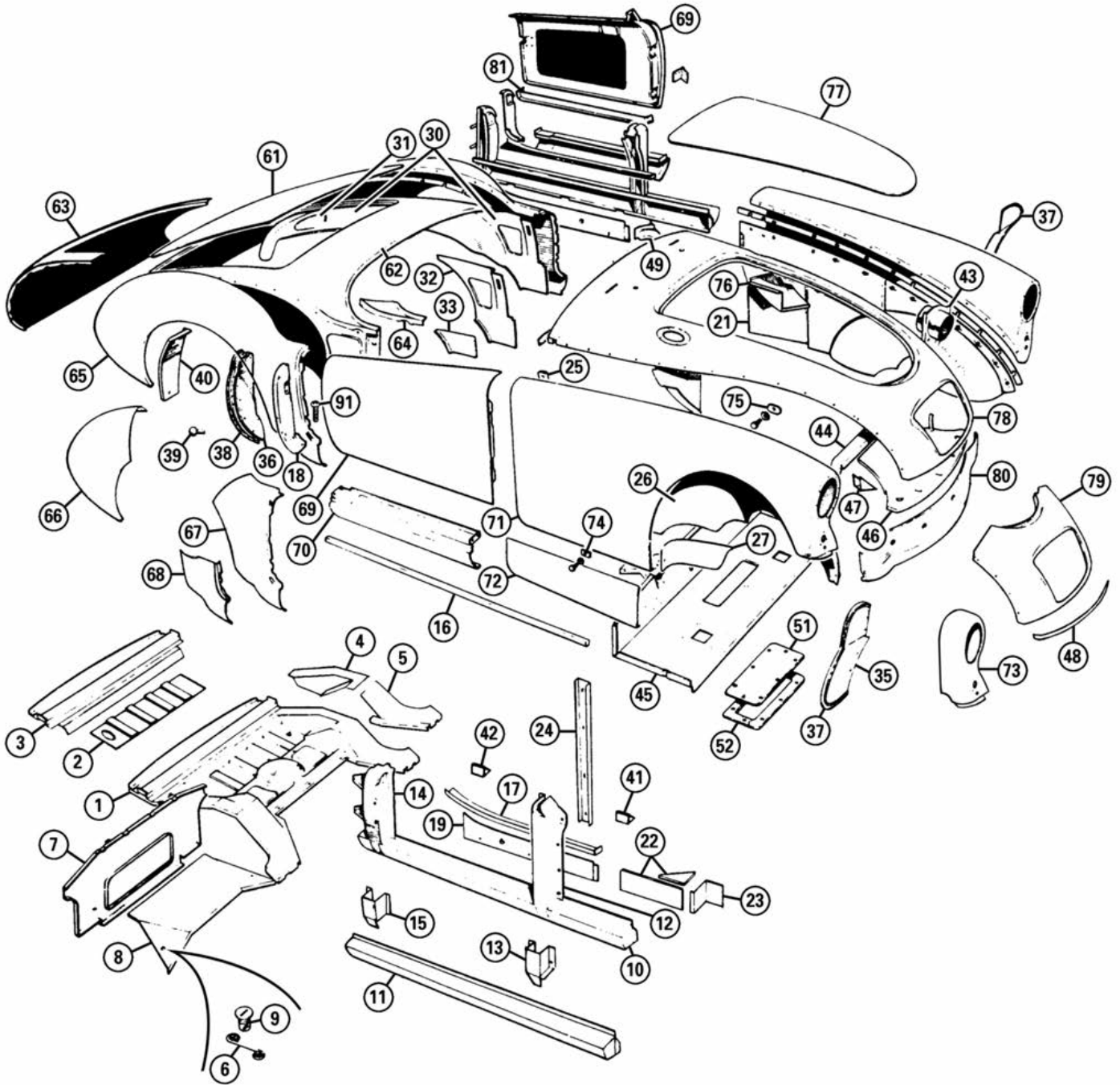
Chassis condition is a determining factor in deciding how far to go with your restoration. Most of the rust damage will occur on the passenger side of the car from the footwell to the rear support tube. A seriously rusted chassis will be completely perforated or have large sections completely missing in this area. Moss chassis repair sections will enable you to repair most chassis problems yourself. Cut away the remaining damaged metal and clamp the repair parts in place. Tack weld and trial fit an entire section before any final welding is carried out. To avoid warping, weld the rails at 2" to 4" intervals working from the centre of the piece.

2	AHH5177K	£58.40	PACKING SET, body mounting*	1	1500cc, 1600cc, MkII (28 pieces, complete)
3	GHF202	£0.12	NUT, rear, rebound strap	2	
4	2K6640	£3.62	STRAP, tail lamp cable	2	
5	AHH5140	£33.70	BRACKET, bumper, front, LH	1	
	AHH5139	£33.70	BRACKET, bumper, front, RH	1	
6	GHF120	£0.19	BOLT	6	
7	GHF201	£0.08	NUT	6	
8	GHF204	£0.22	NUT, front bumper to chassis	4	

iii. Part Number Price £ea. Description Req. Details

9	AHH5248	£1.55	CLIP, battery cable & loom	6	
10	PCR407	£0.85	CLIP, tail lamp loom	2	
11	AHH5094	£89.00	BRACKET, bumper, rear, LH	1	
	AHH5093	£89.00	BRACKET, bumper, rear, RH	1	
12	GHF204	£0.22	NUT, bumper brackets	2	
13	HBZ730	£2.24	BOLT, bracket to chassis	2	forward
14	BH607321	£1.90	BOLT, bracket to chassis	2	rearward
15	GHF203	£0.19	NUT, bracket to chassis	4	
16	AHH5455	£5.20	SEAL, rear ramp	1	
17	AHH5262C	£135.00	FLOORBOARD SET, (7), (complete)	1	1500cc to (c)61503
	AHH5817C	£135.00	FLOORBOARD SET, (7), (complete)	1	1500cc from (c)61504, 1600cc, 1600cc MkII, Twin Cam, De luxe
	AHH5205C	£89.40	MAIN FLOORBOARD SET, (4)	1	inc. items marked 'A' in illustration
18	GBK2107X	£31.60	SCREW & WASHER SET	1	floorboard
19	473-200	£52.30	BRACKET, battery, RH	1	easily welded
	473-210	£52.30	BRACKET, battery, LH	1	to chassis
20	AHH6131B	£45.10	BOTTOM CRADLE, battery	2	
21	AHH5344	£16.00	COVER PLATE, LH	1	
	AHH5343	£16.00	COVER PLATE, RH	1	
22	AHH5388	£7.00	RING, gear lever boot top	1	
23	14A1468	£5.00	BOOT, gear lever*	1	
24	AHH5815X	£7.30	GASKET	1	
25	ACA5300	£2.92	PLUG, dipstick hole*	1	
26	AHH5194	£4.48	BUFFER	2	
27	AHH5838	£14.40	COVER, starter drive	1	1500cc from (c)61504, 1600cc & MkII
28	AHH5002X	£11.60	BRACKET, starter switch	1	
29	AHH5924	£230.00	EXTENSION, front chassis	1	
30	AHH6131/3	£134.20	FLOORBOARD RAIL REPAIR SET	1	
32	AHH6131/7	£100.13	REPAIR PANEL, side of chassis	2	
34	CCCB1BR	£17.40	CHASSIS PAINT, black enamel	a/r	500ml
35	AHH5923	£97.20	TOEBOARD PLATE, upper	1	

*Note: See 'Front Body Fittings' on page 45 and 'Rear Body Fittings' on page 46.



ill. Part Number Price £ea. Description Req. Details

Body Panels

About our Body Panels

In the days when MGA's were in production, the highly sophisticated and technically accurate production processes involved in body-building currently in use, were no more than a twinkling in the eye of vehicle manufacturers. The production of body shell components was always inconsistent and thus one of the most important members of MGA production (and any other car for that matter) was the panel beater. His was the laborious task of making all the body shell components which did not fit perfectly together look as if they did. Without the panel beater, cars of that generation may have ended up looking somewhat surreal.

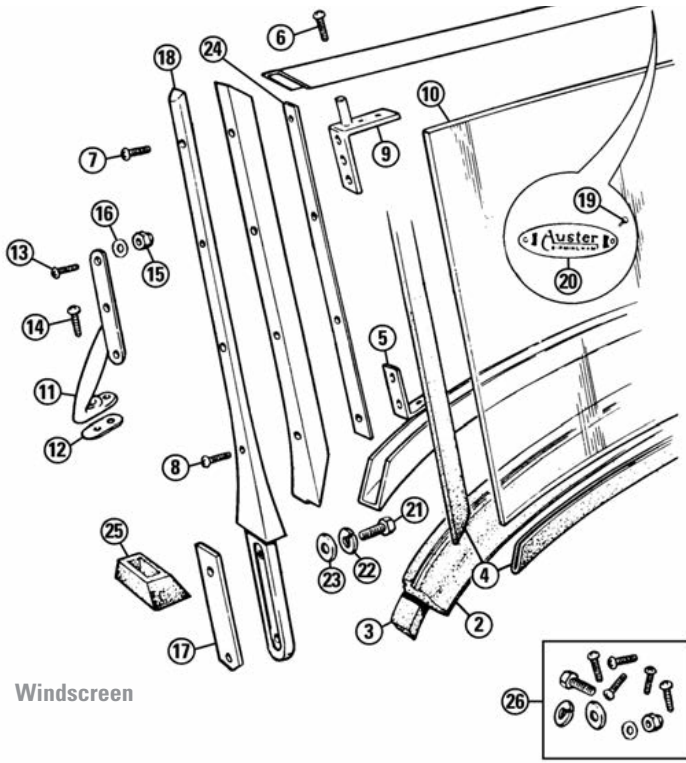
At our workshop we have successfully re-tooled and re-jigged a totally comprehensive range of traditionally hand built panels unparalleled in quality. Be warned however that our panels will fit your vehicle just as well as any genuine BMC panel which you may have stored in your garage or loft for years.

Remember, that to create that perfect fit a traditional panel beater has spent many years learning his trade. We strongly suggest that you try the panel on your MGA before painting and, if the panel does not fit perfectly, think very carefully before picking up that hammer. Please note that if you cut, tweak, paint, stand on, twist or otherwise adjust that panel, then you own it, irrevocably. No returns accepted, no refunds offered.

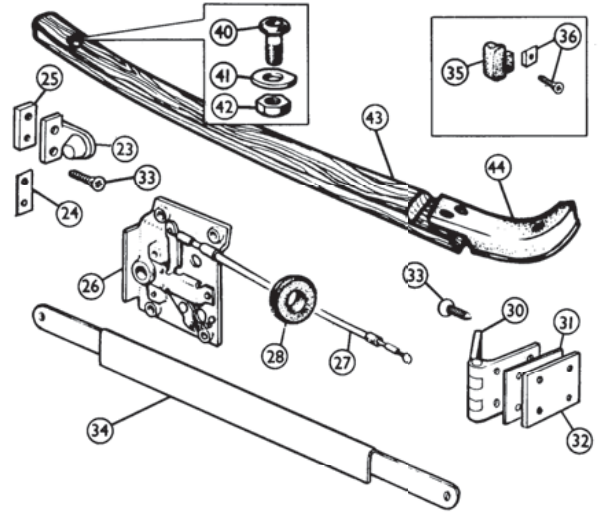
For Floorboard sets please refer to 'Chassis' on page 39.

ill.	Part Number	Price £ea.	Description	Req.	Details
1	AFH1874	£1,128.00	FLOOR PANEL, boot	1	
2	AFH1874/5	£105.00	REPAIR PANEL, boot centre	1	
3	AFH1874/7	£92.00	REPAIR PANEL, boot rear	1	
4	AFH1874/4	£37.80	REPAIR PANEL, LH, centre side	1	
	AFH1874/3	£37.80	REPAIR PANEL, RH, centre side	1	
5	AFH1874/2	£52.80	REPAIR PANEL, LH, front side	1	
	AFH1874/1	£52.80	REPAIR PANEL, RH, front side	1	
6	7H9828	£2.60	SPRING, retaining	2	
7	AFH1585	£210.80	REAR BULKHEAD PANEL	1	all except 1600cc Coupé
8	AFH1663	£63.80	BATTERY COVER	1	1500cc & 1600cc
	AFH6866	£56.80	BATTERY COVER	1	1600cc MKII
9	AHH7210	£4.50	FASTENER, battery cover	2	
10	AFH1620	£190.00	SILL & PILLAR, RH	1	Roadster
	AFH1621	£190.00	SILL & PILLAR, LH	1	
	AFH3882	£190.00	SILL & PILLAR, RH	1	Coupé
	AFH3883	£190.00	SILL & PILLAR, LH	1	
11	AFH1620/2	£70.00	INNER SILL, with end caps, RH	1	
	AFH1621/2	£70.00	INNER SILL, with end caps, LH	1	
12	AFH1620/1	£84.30	'A' post PILLAR, RH	1	
	AFH1621/1	£84.30	'A' post PILLAR, LH	1	
13	AFH16201RP	£17.00	REPAIR PIECE, 'A' post bottom	1	lower 3", RH

ill.	Part Number	Price £ea.	Description	Req.	Details	ill.	Part Number	Price £ea.	Description	Req.	Details
	AFH16201RP	£17.00	REPAIR PIECE, 'A' post bottom	1	lower 3", LH	64	AFH1871/3	£70.00	REPAIR PANEL, rear deck, RH	1	Roadster
14	AFH1620/3	£62.00	'B' Post PILLAR, RH	1	Roadster		AFH1871/4	£70.00	REPAIR PANEL, rear deck, LH	1	
	AFH1621/3	£62.00	'B' Post PILLAR, LH	1		65	AFH7462	£545.00	REAR WING, RH, (steel)	1	
14	AFH3882/2	£108.00	'B' Post PILLAR, RH	1	Coupé		AFH7462F	£92.00	REAR WING, RH, (fibreglass)	1	
	AFH3883/2	£108.00	'B' Post PILLAR, LH	1			AFH7463	£545.00	REAR WING, LH, (steel)	1	
15	AFH16213RP	£23.50	REPAIR PIECE, 'B' post bottom	1	lower 3", RH		AFH7463F	£92.00	REAR WING, LH, (fibreglass)	1	
	AFH16213RP	£23.50	REPAIR PIECE, 'B' post bottom	1	lower 3", LH	66	AFH7462/3	£480.00	REPAIR PANEL, rear, RH	1	
16	AFH3752K	£40.00	FINISHER STRIP, sill bottom, pair	1	57" long, as original		AFH7463/3	£480.00	REPAIR PANEL, rear, LH	1	
17	AFH1658	£18.00	SILL PLATE, RH	1		67	AFH7462/2	£375.00	REPAIR PANEL, front, RH	1	
	AFH1659	£18.00	SILL PLATE, LH	1			AFH7463/2	£375.00	REPAIR PANEL, front, LH	1	
18	AFH7510	£60.00	SHUT FACE PANEL, RH	1		68	AFH7462/1	£96.30	REPAIR PIECE, lower front, RH	1	
	AFH7511	£60.00	SHUT FACE PANEL, LH	1			AFH7463/1	£96.30	REPAIR PIECE, lower front, LH	1	
	AFH3786	£85.00	SHUT FACE PANEL, RH	1			GBK2101X	£12.32	FITTING KIT, rear wing	2	
	AFH3787	£85.00	SHUT FACE PANEL, LH	1		69	AFH1666	NCA	COMPLETE DOOR, RH	1	Roadster
19	AFH1656	£16.50	CLOSING PANEL, inner sill, RH	1			AFH1667	NCA	COMPLETE DOOR, LH	1	
	AFH1657	£16.50	CLOSING PANEL, inner sill, LH	1			AFH1666/1	£153.30	DOOR SKIN, RH	1	Roadster
21	AFH4894/1	£280.00	CLOSING PANEL, wheel arch, RH	1			AFH1667/1	£153.30	DOOR SKIN, LH	1	
	AFH4895/1	£280.00	CLOSING PANEL, wheel arch, LH	1			AFH4806/1L	NCA	DOOR SKIN, RH	1	LHD Coupé
22	AFH4894/8	£12.10	REPAIR PANEL, wheel arch brace	1	RH		AFH4807/1L	NCA	DOOR SKIN, LH	1	
	AFH4895/8	£12.10	REPAIR PANEL, wheel arch brace	1	LH		AFH4806/1	£163.70	DOOR SKIN, RH	1	RHD Coupé
23	AFH4894/9	£8.30	REPAIR PIECE, sill to wheel well	1	RH		AFH4807/1	£163.70	DOOR SKIN, LH	1	
	AFH4895/9	£8.30	REPAIR PIECE, sill to wheel well	1	LH	70	AFH2624	£46.20	OUTER SILL PANEL, RH	1	
24	AFH4894/6	£10.30	CHANNEL, reinforcing	2			AFH2625	£46.20	OUTER SILL PANEL, LH	1	
25	AFH4894/4	£31.50	MOUNTING, windscreen stanchion	1	RH	71	AFH6614	£945.00	FRONT WING, RH, (steel)	1	
	AFH4895/4	£31.50	MOUNTING, windscreen stanchion	1	LH		AFH6614F	£107.40	FRONT WING, RH, (fibreglass)	1	
26	AFH4894/2	£430.00	WHEEL ARCH, RH	1			AFH6615	£945.00	FRONT WING, LH, (steel)	1	
	AFH4895/2	£430.00	WHEEL ARCH, LH	1			AFH6615F	£107.40	FRONT WING, LH, (fibreglass)	1	
27	AFH4894/3	£9.20	REINFORCEMENT	1	RH wheel well	72	AFH6614/2	£64.80	REPAIR PANEL, lower, RH	1	
	AFH4895/3	£9.20	REINFORCEMENT	1	LH wheel well		AFH6615/2	£64.80	REPAIR PANEL, lower, LH	1	
30	AFH1754/1	£506.00	INNER WING, rear, RH	1	Roadster	73	AFH6614/1	£400.00	REPAIR PANEL, front, RH	1	
	AFH1754/2	£506.00	INNER WING, rear, LH	1			AFH6615/1	£400.00	REPAIR PANEL, front, LH	1	
	AFH6650/3	£441.00	INNER WING, rear, RH	1	Coupé		GBK2102X	£19.50	FITTING KIT, front wing	2	
	AFH6650/4	£441.00	INNER WING, rear, LH	1		74	AFH2546	£0.38	WING WASHER, lower	6	
31	AFH1754/6	£56.00	REPAIR PIECE, rear, LH	1		75	AFH2627	£0.43	WING WASHER, upper	22	
	AFH1754/5	£56.00	REPAIR PIECE, rear, RH	1		76	AFH1503	NCA	BOX ASSEMBLY, air duct, LH	1	
32	AFH1754/4	£77.00	REPAIR PIECE, front, LH	1	Roadster		AFH1502	NCA	BOX ASSEMBLY, air duct, RH	1	
	AFH1754/3	£77.00	REPAIR PIECE, front, RH	1		77	AFH4880	£908.00	BONNET	1	later style with slight bulge
	AFH6650/2	£79.50	REPAIR PIECE, front, LH	1	Coupé	MGA bonnets changed subtly over the production period of the cars. Two lengths were made, 47 7/8" and 48 3/8". This could be the reason that you're having so much trouble fitting the bonnet on your car. The bonnet shape was changed to accommodate the Twin Cam camshaft cover which was higher than the push rod rocker box. There is a noticeable bump in the middle of these bonnets. When removing or installing a bonnet, put a carpet scrap or similar pad at the rear of the bonnet. This will prevent the bonnet from sliding off its hinges and scraping across the scuttle panel. It is a good idea to make sure that the bonnet catch is adjusted and working perfectly before the grill is mounted. If the bonnet sticks, the only way to get it up is to pry at the lip with a screwdriver, or go in through your new grille!					
	AFH6650/1	£79.50	REPAIR PIECE, front, RH	1		78	AFH1520	£1,200.00	FRONT SHROUD	1	Roadster
33	AFH17544RP	£16.00	REPAIR PIECE, lower front, LH	1		79	AFH1520/1	£486.00	REPAIR PANEL, front shroud	1	
	AFH17543RP	£16.00	REPAIR PIECE, lower front, RH	1		80	AFH1896	£295.00	FRONT VALANCE, steel	1	
35	AFH1702	£45.00	SPLASH PLATE, front, RH	1	original spec		AFH1896F	£48.00	FRONT VALANCE, fibre-glass	1	
	AFH1703	£45.00	SPLASH PLATE, front, LH	1	with rivet-on seals		GBK2110X	£4.43	FITTING KIT, front valance	1	
	AFH1702B	£29.90	SPLASH PLATE, front, RH	1	alternative	81	AFH1666/2	£40.60	REPAIR SECTION, inner door, RH	1	Roadster
	AFH1703B	£29.90	SPLASH PLATE, front, LH	1	with push-on seals		AFH1667/2	£40.60	REPAIR SECTION, inner door, LH	1	
36	AFH4782	£42.20	SPLASH PLATE, rear, forward, RH*	1	original spec		AFH4806/2	£91.00	REPAIR SECTION, inner door, RH	1	Coupé
	AFH4783	£42.20	SPLASH PLATE, rear, forward, LH*	1	with rivet-on seals		AFH4807/2	£91.00	REPAIR SECTION, inner door, LH	1	
	AFH4782B	£25.00	SPLASH PLATE, rear, forward, RH*	1	alternative	*Note: These splash plates were fitted on Roadsters from (c)29935 and all Coupés. Although not original we recommend fitment to earlier cars for protection of the 'B' posts.					
	AFH4783B	£25.00	SPLASH PLATE, rear, forward, LH*	1	with push-on seals						
	AFH1710K	£35.60	SEAL SET, splash plate, front & rear	1	original rivet type						
37	AFH1710	£7.10	SEAL, front, RH	1							
	AFH1711	£7.10	SEAL, front, LH	1							
38	AFH4784	£7.45	SEAL, rear, RH	1							
	AFH4785	£7.45	SEAL, rear, LH	1							
39	BRP906K	£8.70	SPLIT RIVET SET	1							
	BHH626M	£3.14	SEAL, front, push-on type	2							
	BHH626	£2.20	SEAL, rear, push-on type	2							
40	AFH1704	£58.00	SPLASH APRON	1	rear of RH rear wing						
	AFH1705	£58.00	SPLASH APRON	1	rear of LH rear wing						
41	AFH4894/5	£19.65	MOUNTING, body to chassis	2	front						
42	AFH1754/7	£22.00	MOUNTING, body to chassis	1	rear, RH						
	AFH1754/8	£22.00	MOUNTING, body to chassis	1	rear, LH						
43	AFH4894/7	£122.00	BRACKET, RH	1	air hose inlet						
	AFH4895/7	£122.00	BRACKET, LH	1	and radiator support						
44	AFH1521/1	£115.00	PLATFORM, bonnet locking	1							
45	AFH1524	£483.00	BULKHEAD ASSEMBLY	1							
	AFH1524RP	£197.00	BULKHEAD REPAIR PANEL	1							
46	AFH900	£72.00	PANEL, radiator duct	1	1500cc, 1600cc						
	AFH900A	£94.91	PANEL, radiator duct	1	1600cc MkII						
47	AFH9001	£25.00	MOUNTING BRACKET, RH	1	radiator duct panel						
	AFH9002	£25.00	MOUNTING BRACKET, LH	1							
48	AFH9003	£80.00	SKIRT PANEL, front valance	1							
49	AFH1624	£11.60	PILLAR TOP EXTENSION, RH	1							
	AFH1625	£11.60	PILLAR TOP EXTENSION, LH	1							
51	AHH5252	£41.00	COVER PLATE, heater aperture	1	when heater not fitted						
52	AHH5253	£5.05	SEAL, heater mounting, rubber	1							
61	AFH1577	£600.00	BOOT LID	1							
	AFH1577RP	£277.40	SKIN, boot lid	1							
62	AFH1871/5	£1,255.00	TONNEAU PANEL	1	Roadster						
63	AFH1871/6	£438.00	VALANCE, rear	1							



Windscreen



Door Fittings

ill. Part Number Price £ea. Description Req. Details

Windscreen (Roadster)

For Coupé Models please refer to page 43.

	AFH6769E	NCA	WINDSCREEN FRAME	1	re-chromed/exchange
2	704126	£10.70	SEAL, under windscreen	1	
3	AFH2868	£0.76	PACKING, windscreen ends	2	5" long
4	AFH1724A	£9.95	GLAZING RUBBER	1	use with AFH1720
	AFH1724	£6.40	GLAZING RUBBER	1	use with AFH1720Z
5	AFH1715	£6.90	BRACKET, lower corner	2	
6	CMZ307	£0.29	SCREW, screen frame, top	4	
7	AJD2245	£0.88	SCREW, screen frame, side upper	6	3 upper holes each side
8	AJD2246	£0.46	SCREW, screen frame, side lower	2	1 lower holes each side
9	AFH2630	£11.80	BRACKET, upper corner, RH	1	drilled
	AFH2631	£11.80	BRACKET, upper corner, LH	1	
	470-785	£5.00	BRACKET, upper corner, RH	1	not drilled
	470-775	£4.50	BRACKET, upper corner, LH	1	
10	AFH1720	£171.00	WINDSCREEN, plain glass	1	
	AFH1720Z	£108.67	WINDSCREEN, plain glass	1	aftermarket
	AFH1720T	£197.00	WINDSCREEN, green tinted glass	1	

Note: Special shipping applies to all windscreens. Please see page 64 for more information.

11	AFH1722	£20.50	GRAB HANDLE, RH	1	
	AFH1723	£20.50	GRAB HANDLE, LH	1	
12	AFH1687	£1.34	PACKING, grab handle	2	
13	CMP307	£0.55	SCREW, grab handle to frame	6	
14	RMP316	£0.40	SCREW, grab handle to body	4	
15	AFH2809	£1.28	DOME NUT, grab handle	6	
16	PWZ203	£0.12	WASHER, plain	6	
17	AFH2547	£2.10	PACKING, windscreen post	a/r	
18	AFH1718	£207.70	WINDSCREEN POST, RH	1	
	AFH1719	£207.70	WINDSCREEN POST, LH	1	
19	FAS1	£0.30	RIVET, nameplate	2	
20	CRCP329	£2.52	AUSTER BADGE, windscreen	1	
21	BH606101	£0.67	BOLT, post to body	4	
22	GHF333	£0.19	WASHER, spring	4	
23	GHF302	£0.30	WASHER, plain	4	
24	AFH1714	£11.00	TAPPING PLATE, windscreen	2	
25	AFH1726	£3.37	GROMMET, windscreen post	2	
26	GBK2104X	£17.70	SCREW SET, windscreen frame	1	(Includes items: 6, 7, 8, 13, 14, 15, 16, 21, 22 & 23).

Installing a Windscreen & Frame

One of the most familiar characteristics of the MGA is the small diagonal crack at the corner of the windscreen. This can be avoided, if upon installation, the mounting bolts are tightened up a little at a time. Work from side to side so the brackets are drawn up equally. The amount of packing required varies from car to car, especially if any crash repair has been carried out. Plan on replacing the screw set & corner brackets. These screws are BA thread and have usually been replaced with something else which damages the brackets. Rust attacks the lower brackets, while the upper are prone to cracking and should be carefully inspected.

ill. Part Number Price £ea. Description Req. Details

Door Fittings (Roadster)

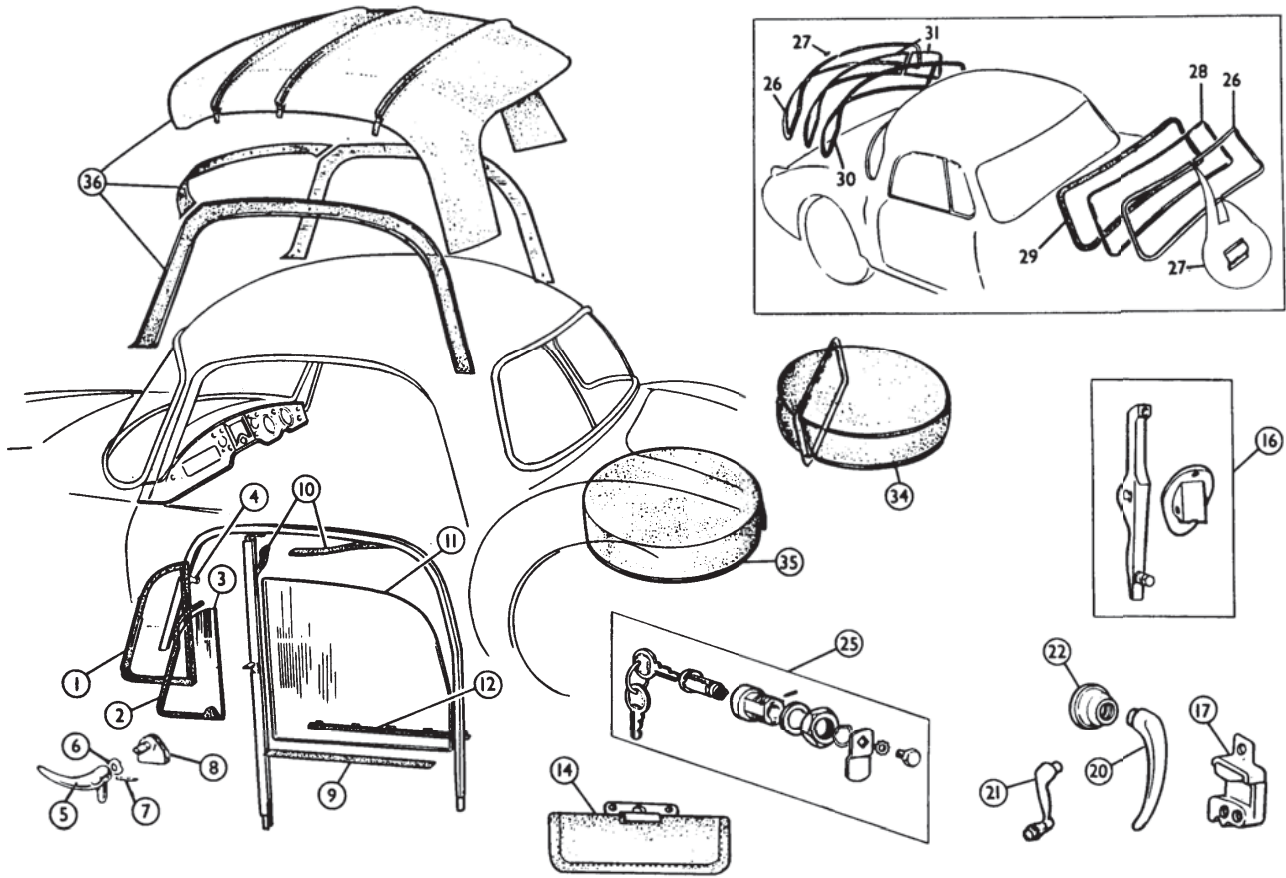
For Coupé Models please refer to page 43.

23	AFH1684	£6.80	STRIKER PLATE	2	
24	14A4673	£1.03	SHIM, striker plate	a/r	
25	HZA368	£5.00	TAPPING PLATE	2	
26	AFH1682	£20.00	DOOR LATCH, RH	1	
	AFH1683	£20.00	DOOR LATCH, LH	1	
27	7H9958	£5.20	CABLE, door pull	2	
28	AFH3830	£136.00	WINDSCREEN	1	
28	RFN110	£1.75	GROMMET, door pocket	2	
30	AFH5832	£34.60	DOOR HINGE	4	
31	AFH5827	£1.24	PACKING SHIM, door hinge	a/r	
32	AFH1464	£6.60	TAPPING PLATE, door hinge	4	
33	SF604061	£0.25	SCREW, hinge & striker plate	36	
	PWZ204	£0.12	WASHER, plain	16	
	GHF331	£0.12	WASHER, locking	16	
	GHF200	£0.12	NUT	16	
34	AFH1899	£6.00	STIFFENER BAR, door panel	2	
35	AHH6273	£1.80	DOOR BUFFER*	4	

Note: Special shipping applies to all windscreens. Please see page 64 for more information.

*Note: Included in body rubber sets listed on page 45.

36	AHH6273K	£3.00	TAPPING PLATE & SCREW KIT	4	securing door buffers
40	AFH1744	£5.70	SOCKET, side screen	2	
41	AFH2579	£1.64	WASHER	2	
42	FNZ208	£0.40	NUT for socket	2	
43	AFH2556	£23.20	DOOR TOP RAIL, RH	1	wood
	AFH2557	£23.20	DOOR TOP RAIL, LH	1	
44	AFH2556X	£13.00	DOOR CORNER RAIL, RH	1	aluminium
	AFH2557X	£13.00	DOOR CORNER RAIL, LH	1	



iii. Part Number Price £ea. Description Req. Details

Coupé

The sequential assembly of the MGA afforded simplicity and economy of effort in construction. Recalling how the car was assembled at the factory will be of great help when you attempt to take it apart and re-assemble it.

The MGA line moved at the rate required to carry out the assembly correctly. There was a minimum of hurry, although the workers were able to assemble several hundred cars a week. MGA components were first built into sub-assemblies in side bays and 'hung' on the chassis as complete units.

Engines, rear ends and interiors rapidly came together to make an MGA which was then driven off the line. Each car was inspected thoroughly before being consigned to a shipment. If you attempt to subvert the sequential system while working on your MGA it can cause problems. Don't fight it. Remember that one layer of parts removed will reveal another layer, and parts have to be disassembled in proper order.

Specific Body Fittings (Coupé)

1	AFH4870	£30.00	SEAL, vent window, RH†	1	
	AFH4871	£30.00	SEAL, vent window, LH†	1	
2	AFH4874	£3.88	GLAZING RUBBER, vent windows	1	for 2 windows
3	AFH4847	NCA	VENT WINDOW GLASS	2	
4	AFH4858/1	NCA	HINGE, vent window, LH	1	
	AFH4859/1	NCA	HINGE, vent window, RH	1	
5	AFH6532	£21.00	HANDLE, vent window, RH	1	
	AFH6533	£21.00	HANDLE, vent window, LH	1	
6	AHA7473	£0.44	WASHER, anti-rattle	2	
7	AHA7474	£0.91	PIN, handle retaining	2	
8	AFH6531	£25.00	PIVOT, vent window handle	2	
9	AFH4456	£4.21	GLAZING RUBBER	2	door windows
10	AFH4862K	£13.55	FELT STRIP SET, glass channel	1	for 2 windows
11	AFH4453	NCA	DOOR GLASS	2	
12	AFH4455	£5.18	BRUSH SEAL, door window	2	
14	AHH5710A	NCA	SUN VISOR, black	1/2	superb reproductions
	AHH5710W	NCA	SUN VISOR, white	1/2	of factory options
16	AFH3796	£86.35	DOOR HANDLE, exterior	2	with escutcheon (2 piece units, they must be assembled with original pivot pin & spring).
17	AFH3896	£40.20	STRIKER, RH	1	
	AFH3897	£40.20	STRIKER, LH	1	
20	ADH5482	£36.50	DOOR HANDLE, interior	2	original type
	ADG1673	£14.70	DOOR HANDLE, interior	2	replacement (This is an excellent replacement handle of proper size & shape).
21	ADH5481	£26.90	HANDLE, window regulator	2	
22	ADB709	£7.20	ESCUTCHEON	4	window & door handles
25	AFH3893	NCA	DOOR LOCK, with 2 keys	1	driver's door only

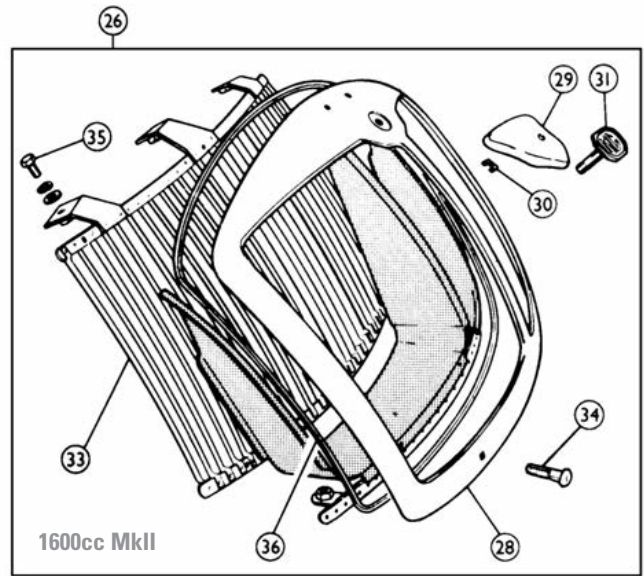
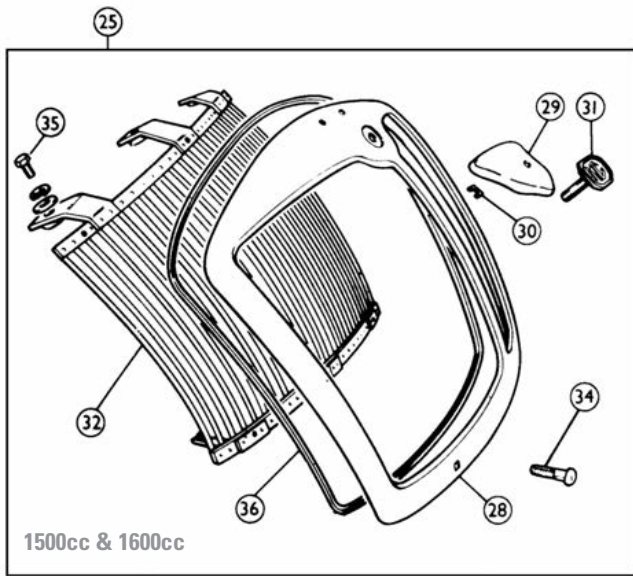
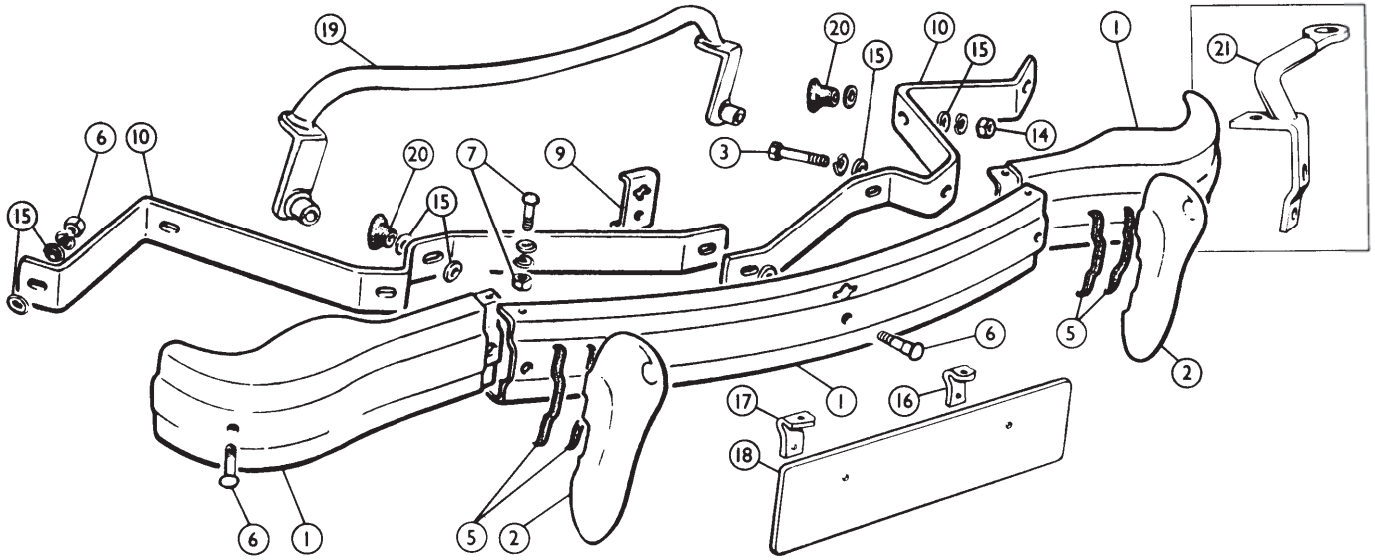
iii. Part Number Price £ea. Description Req. Details

26	AFH3838/9	£20.85	TRIM, windscreen/rear window	2	(One length per window. Looks and fits like original when installed, but is a flexible chrome-coloured Mylar strip. For authenticity, cut in half and use two joiners (part no. AFH3778), as illustrated. Heat with an electric hair dryer to bend around corners).
27	AFH3778	£5.20	FINISHER, window trim	4	2 per window
28	AFH3830	£136.00	WINDSCREEN	1	

Note: Special shipping applies to all windscreens. Please see page 64 for more information.

29	AFH3831	£55.00	WINDSCREEN SEAL†	1	
30	AFH3837	£72.50	WINDOW SEAL, rear†	1	
31	AFH3884/6	NCA	REAR WINDOW GLASS SET	1	
34	242-465	£77.30	SPARE TYRE COVER, black	1	all Roadsters & 1500cc Coupés
	242-475	£77.30	SPARE TYRE COVER, red	1	
	242-935	£72.00	SPARE TYRE COVER, grey	1	
35	246-435	£74.10	SPARE TYRE COVER, black	1	1600cc & MkII Coupés
	246-445	£74.10	SPARE TYRE COVER, red	1	
	242-945	£72.00	SPARE TYRE COVER, grey	1	
(Spare tyre covers listed here incorporate our wool blend carpeting. For complete listing contact your nearest Moss branch).					
36	AFH4657W	£211.00	HEADLINING KIT, white	1	
	AFH4657A	£211.00	HEADLINING KIT, black	1	

†Note: Items marked † Included in body rubber sets listed on page 45.



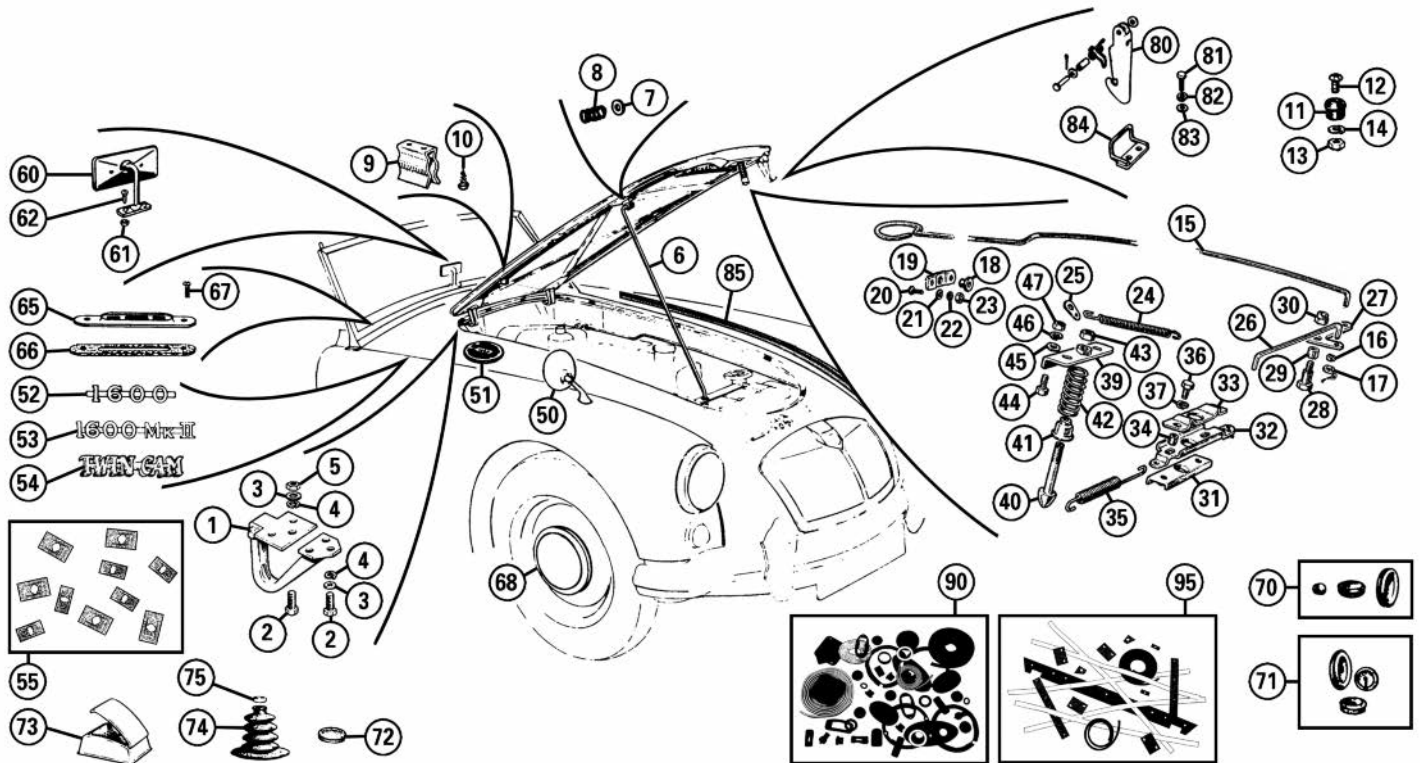
Part Number	Price £ea.	Description	Req.	Details
Front Bumper, Grille & Badge				
1 AHH547C	£110.00	BUMPER, front	1	3 main sections
GBK2108X	£19.55	FASTENER KIT, front bumper	1	(This is a 46 piece bumper mounting kit).
2 AHH5478	£26.70	OVERRIDDER	2	
3 BH606201	£0.77	BOLT, override attaching	2	
5 552218	£0.32	PACKING, override to bumper	4	
37H9871M	£1.20	PACKING, override to bumper	a/r	sold by the metre
6 1G9872	£1.30	BOLT & NUT, chrome	3	
7 1G9840	£1.25	BOLT & NUT, chrome	2	behind override
9 AHH5477	£5.05	BRACKET, hand crank	1	
10 AHH5476	£27.30	MAIN SPRING BRACKETS	2	
14 GHF204	£0.22	NUT, bumper to chassis	4	
15 PWZ208	£0.72	WASHER, plain	8	

The MGA front bumper, with its complex arrangement of parts, is difficult to mount on the car without a lot of scratched paint and frustration. This is one of those jobs for which an assistant is needed (if only to make encouraging noises). Make sure that the body brackets and main spring brackets are not bent. If the spring brackets are, it is practical to buy new, (part no. AHH5476) as they are extremely hard to bend back into the proper shape.

Assemble the parts off the car, test fit and adjust any gaps before the unit is tightened up. A small jack may be needed to help adjust the bumper. Try to get the gap at the top equal across the front of the car, especially at the outer edges where the bumper wraps around the wing. Don't overlook the new rubber grommets & override packings, (part no. AAA1645 & part no. 552218).

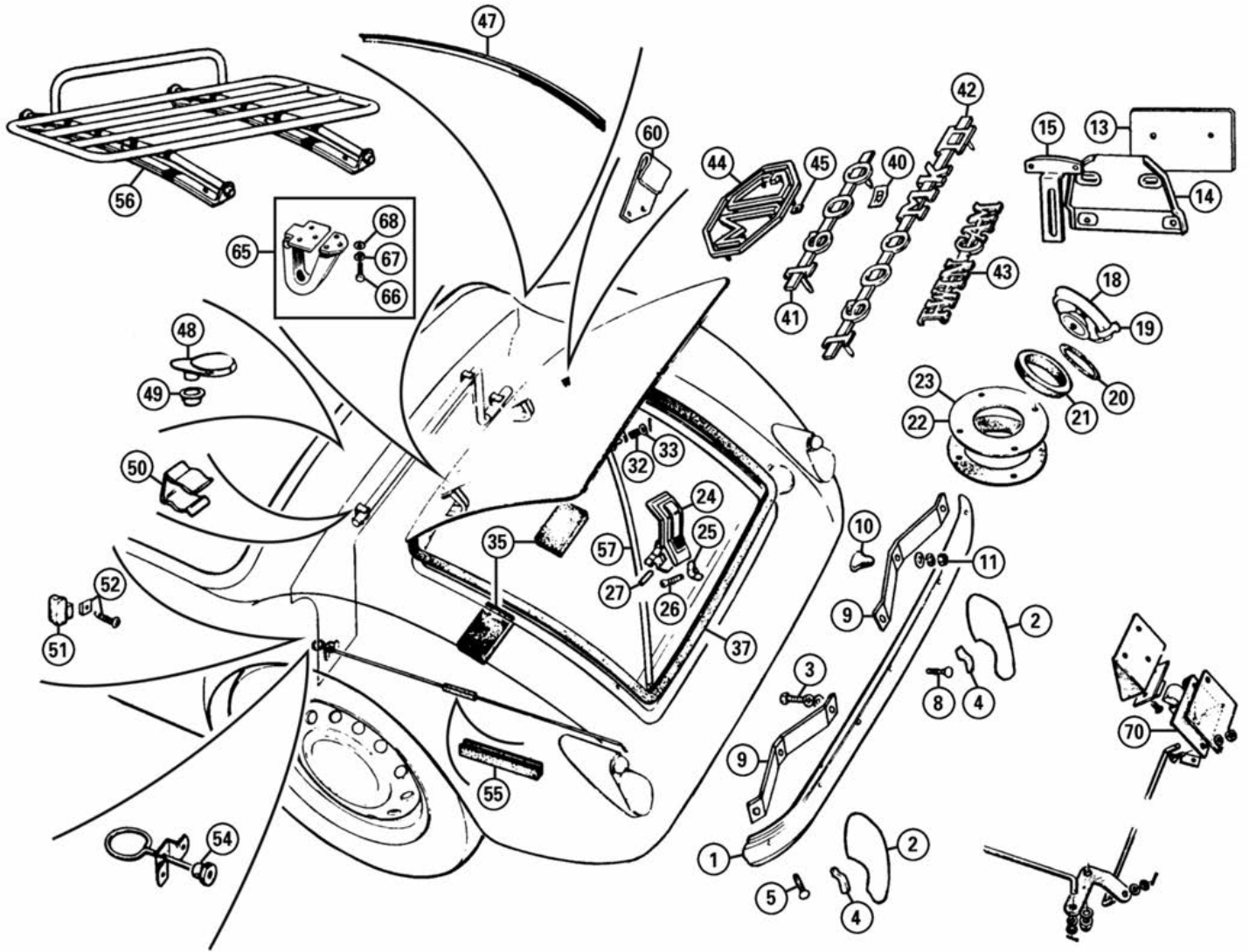
16 AHH5162	£2.52	BRACKET, no plate, LH	1	
------------	-------	-----------------------	---	--

Part Number	Price £ea.	Description	Req.	Details
17 AHH5161	£2.52	BRACKET, no plate, RH	1	
18 ALK3268	£5.18	SUPPORT, number plate	1	mild steel
ALK3268SS	£9.01	SUPPORT, number plate	1	stainless steel
19 AHH5565	£72.90	BADGE/GRILLE BAR	1	factory option
20 AAA1645	£0.40	GROMMET	4	
21 AHH5521	£40.00	BRACKET, lamps, RH	1	chrome, factory option, see Accessories section for period lamps
AHH5520	£40.00	BRACKET, lamps, LH	1	
25 ARH52	£278.40	SHELL & GRILLE, flat	1	1500cc & 1600cc
26 ARH154	£369.00	SHELL & GRILLE, recessed	1	MkII
(Shell & grille assemblies include items 28 through 31, plus the correct grille (item 32 or 33), and grille-to-shell bolts & nuts).				
28 ARH901	£141.00	SHELL, fits both grilles	1	
29 ARH902	£66.80	FALSE NOSE	1	
30 PFS106	£0.29	SPEED NUT, (false nose)	2	
31 ARH900	£23.00	BADGE	1	
32 ARH883	N/A	GRILLE, flat	1	1500cc & 1600cc
33 ARH1700	N/A	GRILLE, recessed	1	MkII
34 ARH899	£2.60	BOLT, grille to shell	2	
GHF206	£0.08	NUT	5	
35 SH604041	£0.19	SCREW, grille to body	6	
36 AHH5179	£6.90	GRILLE PIPING	1	original silver colour



Part Number	Price £ea.	Description	Req.	Details
Front Body Fittings				
1	AFH1514/5	£39.00 HINGE SET, RH & LH	1	2 hinges
2	53K126	£0.44 SCREW, hinges	12	
3	PWZ203	£0.12 WASHER	12	
4	WL700101	£0.12 WASHER	12	
5	FNZ103	£0.18 NUT	2	
6	AFH1755	£12.95 PROP ROD, bonnet	1	includes spring & washer
7	GHF301	£0.10 WASHER, plain	1	
8	AAA2398	NCA SPRING	1	
9	AHH5460	£3.20 CLIP, prop rod	1	
10	AB606031	£0.20 SCREW	2	
11	AAA4598K	£5.00 BONNET BUFFER SET	1	10 buffers
12	PMZ208	£0.19 SCREW, bonnet buffer	10	
13	CNZ102	£0.18 NUT, bonnet buffer	10	
14	WL700061	£0.14 WASHER	10	
15	AFH1757	NCA BONNET ROD, catch control	1	
16	AAA1514	NCA WASHER, spring	3	
17	PWZ203	£0.12 WASHER	3	
18	AAA1881	£0.66 GROMMET, dash panel	1	
19	AAA1882	£8.65 PLATE, grommet retaining	1	
20	PMZ208	£0.19 SCREW	2	
21	PWZ202	£0.19 WASHER	2	
22	WL700061	£0.14 WASHER, spring	2	
23	CNZ102	£0.18 NUT	1	
24	AAA788	£10.18 SPRING	1	
25	ADA2463	NCA PLATE, spring tension	1	
26	AAA1876	£18.95 BONNET ROD, release	1	
27	AFH1654	NCA LEVER, control rod	1	
28	AFH1655	£6.80 BOLT, lever pivot	1	
29	AFH1675	£1.85 SPACER, pivot bolt	1	
30	LNZ103	NCA NUT	1	
31	ADH456	£20.40 SLIDER SUPPORT	1	
32	ADH461	NCA BONNET CATCH, slider	1	
33	AAM1223	£4.20 GUIDE PLATE	1	
34	ADA464	£1.80 SPACER	1	
35	ADA466	£5.00 SPRING	1	
36	GHF101	£0.19 BOLT	2	
37	GHF331	£0.12 WASHER, spring	2	
39	ADH4869	NCA MOUNTING BRACKET, bonnet pin	1	
40	14A6586	£6.30 PIN	1	
41	ADA458	£9.37 CUP	1	
42	FPQ10001	£2.60 SPRING	1	
43	NT606041	£0.44 NUT	1	
44	SH604051	£0.19 SCREW	2	
45	PWZ204	£0.12 WASHER	2	
46	GHF331	£0.12 WASHER, spring	2	
47	GHF200	£0.12 NUT	2	
50	WM1904	£12.60 WING MIRROR, RH, convex	1	
	WM1905	£12.60 WING MIRROR, LH, convex	1	reproduction of round
	WM1906	£12.60 WING MIRROR, RH, flat	1	Lucas wing mirrors

Part Number	Price £ea.	Description	Req.	Details
WM1907	£12.60	WING MIRROR, LH, flat	1	
<p>Wing mirrors were a factory supplied/fitted accessory and were supplied in several styles, they were mounted wherever the owner wished. The Lucas style wing mirrors are most effective when mounted on the top of the wing just above the front axle. Some people have trouble seeing the driver side mirror if mounted closer to the screen. Try various locations before drilling any holes.</p>				
51	AHH5294	£7.00 VENT GRILLE	2	
52	AHH5914	£7.45 BADGE, 1600cc	3	front deck
53	AHH6083	£7.45 BADGE, 1600cc MkII	3	& boot lid
54	AHH5729Z	£14.05 BADGE, 'Twin Cam'	3	
55	GBK2105X	£2.15 SPIRE CLIP SET, (24 speed nuts)	1	vent grille & emblem mgt.
60	AHH5198	£21.00 MIRROR, dash mounting	1	
61	GHF206	£0.08 NUT, dash mirror mounting	2	
62	RMP310	£0.55 SCREW, dash mirror mounting	2	
65	AAA3496	£12.00 FINISHER, defroster slot	2	
66	363-195	£3.44 SEAL, vent trim	2	
67	AD608043	£0.50 SCREW, defroster slot finisher	4	
68	88G290	£18.20 HUB CAP	4	steel wheels
70	GKS2002X	£35.00 GROMMET SET, (33 pieces)	1	bulkhead & heater box shelf area
71	GKS2003X	£10.00 GROMMET SET, wiring	1	wiring other than heater shelf
72	ACA5300	£2.92 TRANSMISSION COVER PLUG	1	
73	AHH7061	£27.00 ASHTRAY, as original	1	factory option
74	14A1468	£5.00 GAITER, gear lever	1	
75	AHH5388	£7.00 RING, chrome	1	
80	14A366	£15.65 SAFETY CATCH, bonnet	1	
81	53K126	£0.44 SCREW	2	
82	WL700101	£0.12 WASHER	2	
83	PWZ203	£0.12 WASHER	2	
84	AFH1767	£21.00 BRACKET, safety catch	1	
85	AFH1692C	£22.50 WING PIPING SET, (for 4 wings)	1	original silver colour
	AFH1692CB	£42.00 WING PIPING SET, (for 4 wings)	1	black, alternative
<p>Wing piping must be notched to fit around the wing bolts. Do not discard your original wing welt, use it as a pattern to notch the replacement.</p>				
Body Rubber Sets				
<p>Save time & money! The following body rubber sets include virtually every rubber part needed to restore an MGA body, from headlamp seals to tail lamp pads, at considerable savings over total individual prices.</p>				
90	BRS2001X	£128.50 BODY RUBBER SET	1	1500cc Roadster
	BRS2002X	£240.00 BODY RUBBER SET	1	1500cc Coupé
	BRS2003X	£128.50 BODY RUBBER SET	1	1600cc Roadster
	BRS2004X	£240.00 BODY RUBBER SET	1	1600cc Coupé
	BRS2005X	£128.50 BODY RUBBER SET	1	MkII Roadster
	BRS2006X	£240.00 BODY RUBBER SET	1	MkII Coupé
Body to Chassis Packings				
95	AHH5177K	£58.40 PACKING SET, (28 pieces)	1	body to chassis (This body to chassis packing set is not included in our body rubber sets).



ill.	Part Number	Price £ea.	Description	Req.	Details
Rear Body Fittings					
1	AHH5481	£89.40	BUMPER FACE BAR	1	
	GBK2109X	£22.90	FASTENER KIT, rear bumper (This is a 74 piece bumper mounting kit).	1	
2	AHH5478	£26.70	OVERRIDE	2	
3	BH606161	£0.35	BOLT, override attaching	2	
4	552218	£0.32	PACKING, override to bumper	4	
	37H9871M	£1.20	PACKING, override to bumper	a/r	sold by the metre
5	1G9872	£1.30	BOLT & NUT, chrome	2	
8	AHH5485	£1.70	BOLT & NUT, chrome	2	centre of bumper
9	AHH5482	£23.50	MAIN SPRING BRACKET	2	
10	AAA1645	£0.40	GROMMET	2	
11	GHF204	£0.22	NUT	2	
13	ALK3268	£5.18	BACKING PLATE, number plate	1	RHD U.K. specification mild steel
	ALK3268SS	£9.01	BACKING PLATE, number plate	1	RHD U.K. specification stainless steel
	AHA5211	£7.20	BACKING PLATE, number plate	1	LHD U.S. specification
14	AHH5151	£15.00	MAIN BRACKET, number plate	1	
15	AAA2179	£12.30	LAMP BRACKET	1	
18	ACH5781	£11.50	FUEL CAP	1	
19	97H474	£2.29	'LIFT' LEVER, fuel cap	1	
20	ACH5850	£1.94	SEAL, top of filler neck	1	
21	ACH5780	£2.98	FERRULE, filler pipe to body	1	

ill.	Part Number	Price £ea.	Description	Req.	Details
22	AHH5260	£2.92	SEAL, filler neck, on boot floor	1	
23	AHH5259	£7.80	CLAMPING PLATE	1	
24	H7336	£35.00	CLAMP, spare tyre	1	
25	AHH5351	£12.12	WING NUT	1	
26	AHH5349	£8.81	BOLT	1	
27	AHH5350	£1.20	PIN, pivot	1	
32	AAA2398	N/A	SPRING	1	
33	GHF301	£0.10	WASHER, plain	1	
35	AHH5459K	£9.80	PACKING, felt, spare wheel, pair	1	
37	AFH1753	£10.00	BOOT SEAL	1	
40	GBK2105X	£2.15	SPIRE CLIP SET, (24 pieces)	1	emblem & vent grille mtg.
41	AHH5914	£7.45	EMBLEM, '1600cc'	3	boot lid & front deck
42	AHH6083	£7.45	EMBLEM, '1600cc MkII'	3	
43	AHH5729Z	£14.05	EMBLEM, 'TWIN CAM'	3	
44	AHH5261C	£8.30	'MG' EMBLEM SET	1	
45	PFS103	£0.31	SPIRE NUT, for emblem	13	
47	AFH1692C	£22.50	WING PIPING SET, (for 4 wings)	1	original silver colour
	AFH1692CB	£42.00	WING PIPING, (for 4 wings)	a/r	black, alternative sold by the metre
Wing piping must be notched to fit around the wing bolts. Do not discard your original wing piping, use it as a pattern to notch the replacement.					
48	14B1730	£4.00	RETAINER, chrome	2	
49	AAA5130	£1.64	WASHER, cup	2	

ill.	Part Number	Price £ea.	Description	Req.	Details
50	ADB4825	£8.71	CLIP, hand crank	3	
51	AHH6273	£1.80	DOOR BUFFER	4/2	Coupé
52	AHH6273K	£3.00	TAPPING PLATE & SCREW KIT	4/2	uses 2
54	AAA1881	£0.66	FERRULE, boot lid release rod	1	
55	AFH1789	£7.50	CHANNEL, release rod	1	
56	AHH5495	£220.00	LUGGAGE RACK	1	repro of
	AHH5495SS	£200.00	LUGGAGE RACK, stainless steel	1	factory style
	PMP514	£1.28	SCREW, chrome	6	for factory luggage rack
57	AFH1756	£19.65	ROD, boot lid	1	
60	AAA1524	£5.00	CLIP, boot lid rod	1	
65	AFH1514/5	£39.00	HINGE SET, RH & LH	1	2 hinges
66	53K126	£0.44	SCREW, hinges	12	
67	WL700101	£0.12	WASHER	12	
68	PWZ203	£0.12	WASHER	12	
70	AFH1519	N/A	BOOT LOCK	1	

Save time & money! The following body rubber sets include virtually every rubber part needed to restore an MGA body, from headlamp seals to tail lamp pads, at considerable savings over total individual prices.

BRS2001X	£128.50	BODY RUBBER SET	1	1500cc Roadster
BRS2002X	£240.00	BODY RUBBER SET	1	1500cc Coupé
BRS2003X	£128.50	BODY RUBBER SET	1	1600cc Roadster
BRS2004X	£240.00	BODY RUBBER SET	1	1600cc Coupé
BRS2005X	£128.50	BODY RUBBER SET	1	MkII Roadster
BRS2006X	£240.00	BODY RUBBER SET	1	MkII Coupé
3H2962	£2.80	SEAL, headlamp rim	2	
3H1031	£3.30	PAD, headlamp to wing	2	
57H5368	£3.22	PAD, number plate lamp	1	
AHH6273	£1.80	DOOR BUFFER	4/2	Coupé uses 2
AHH5101	£6.00	EXCLUDER, pedal	1	
AFH1753	£10.00	BOOT SEAL	1	
14A1468	£5.00	GAITER, gear lever	1	
ACH5780	£2.98	FERRULE, around filler neck	1	
GPR105A	£0.98	PAD, accelerator pedal	1	
AAA1645	£0.40	GROMMET, bumper mounting	6	
AHH5100	£1.00	PEDAL PAD, brake & clutch	2	
AFH1692C	£22.50	WING PIPING, 4 wings	1	
AHH5179	£6.90	GRILLE PIPING, shell to body	1	
AAA4598K	£5.00	BONNET BUFFER SET	1	10 buffers
704126	£10.70	SEAL, windscreen to body	1	Roadster
AFH1726	£3.37	GROMMET, windscreen post	2	
AFH3831	£55.00	WINDSCREEN SEAL, front	1	
AFH3837	£72.50	WINDOW SEAL, rear	1	Coupé
AFH4870	£30.00	VENT WINDOW SEAL, RH	1	
AFH4871	£30.00	VENT WINDOW SEAL, LH	1	
17H5309	£1.03	MOUNTING RING, park lamp	2	
17H5305K	£5.80	SEAL SET, parking lamp lens	1	1500cc
AHH5505	£5.10	PAD, rear lamp mounting	2	
AJA5071	£1.90	PAD, rear lamp lens	2	1500cc & 1600cc
AJA5073	£2.50	PAD, rear lamp socket base	2	
AHH5918	£8.80	PAD, rear lamp mounting	2	1600cc
508162	£2.10	BODY, upper rear lamp	2	
17H5307K	£7.30	SEAL SET, parking lamp lens	1	
47H5505	£2.62	MOUNTING RING, park lamp	2	1600cc & MkII
37H5294K	£6.20	BOOT SET, park lamp sockets	1	
AHH6116K	£26.50	PAD, rear lamp mounting	2	MkII

Body to Chassis Packings

AHH5177K	£58.40	PACKING SET, (28 pieces)	1	body to chassis
----------	--------	--------------------------	---	-----------------

(This body to chassis packing set is not included in our body rubber sets).

ill.	Part Number	Price £ea.	Description	Req.	Details
------	-------------	------------	-------------	------	---------

Paint Codes & Moss Classic Car Colours

Body Colour	Interior Colour	Aerosol	Touch up
		300ml	125ml
MGA 1500cc and early Twin Cam			
Old English White	Red or Black	CCWT3	CCWT3TU
Black	Red or Green	CCSB1	CCSB1TU
Orient Red (light red)	Red or Black	CCRD3	CCRD3TU
Mineral Blue (Coupé only)	Grey or Black	CCBU9	CCBU9TU
Glacier Blue (Roadster only)	Grey or Black	CCBU4	CCBU4TU
Island Green (Coupé to 48979)	Grey or Black	CCGN6	CCGN6TU
Tyrolite Green (Roadster to 48979)	Grey or Black	CCGN7	CCGN7TU
Ash Green (from 48980)	Grey or Black	CCGN2	CCGN2TU

MGA 1600cc, MkII and Twin Cam

Old English White	Red or Black	CCWT3	CCWT3TU
Black	Red or Tan	CCSB1	CCSB1TU
Chariot Red	Red, Beige or Black	CCRD16A	CCRD16ATU
Iris Blue	Black	CCBU12A	CCBU12ATU
Alamo Beige	Dove Grey	CCGR26	CCGR26TU
	Red	CCBG9	CCBG9TU

Miscellaneous Paints

Tan, (hood frame)	CCHP1	
Maroon, (engine)	CCEP1	CCEP1BR*
Silver, (wheel paint)	CCWP1	CCWP1TU
Black Enamel, (chassis)	CCCB1	CCCB1BR*
Black Semi-gloss, (air cleaner)	CCSB1	CCSB1TU
Yellow, (cooling fan)	CCEP11	CCEP11TU
Grey Primer, (high build)	CCP1	CCP1TU

*Note: Items marked * are sold in 500ml tins.

Painting MGA Sub-Assemblies with Moss Classic Colours

The fact that the MGA was built primarily of sub-assemblies makes it easy to properly detail each component before it is installed on the car. Here is a guide to help you detail your MGA.

The Classic Car Colours Spray Paints listed below are specially formulated by us to match the original colours as closely as possible. Paint part numbers are in brackets i.e. (CCEP1) is MG Maroon.

Engine Starter Dynamo } Moss MG Maroon (CCEP1) was original installation engine colour. Replacements from factory & Lucas were black.

Transmission Air Cleaners } Natural, Aluminium Semi-Gloss Black, (CCSB2)

Fan } Yellow, (CCEP11)

Fan Pulley } Moss MG Maroon, (CCEP1)

Radiator Heater } Black, (CCSB1)

Master Cyl. Casting } Natural, coat with clear lacquer to prevent rusting

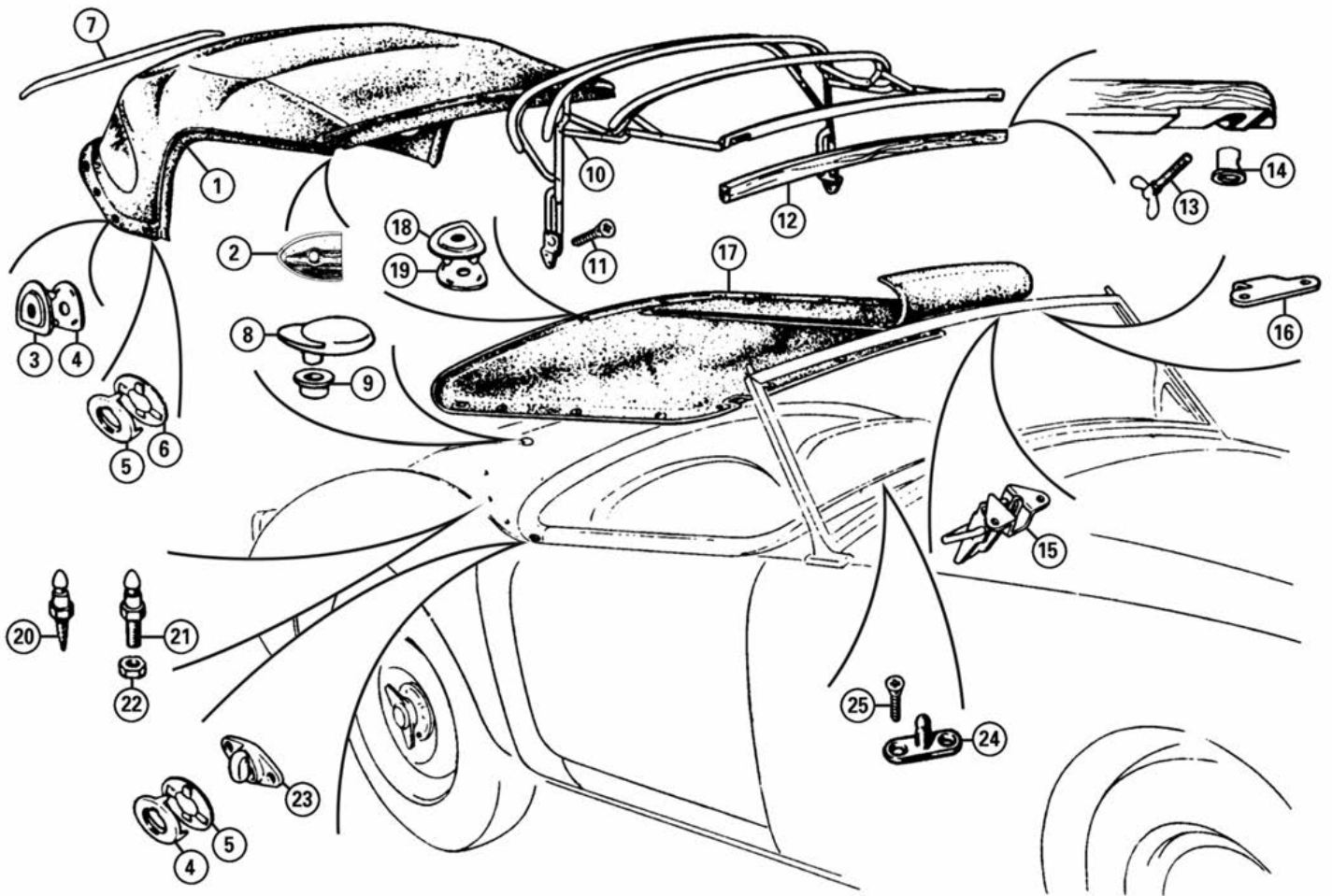
Chassis (all) Suspension parts Bumper brackets & brake drums Floor Boards Transmission Tunnel } Black, (CCCB1BR)

Hood Frame } Moss Tan Hood Frame Paint, (CCHP1)

Wheels, Wire & Steel } Moss Wheel Paint, (CCWP1)

Windscreen Washer Bottle Bracket } Tudor Blue

Body Panels Inner Wings Splash Aprons Upper Dash Bulkhead Battery Cover Inside Boot Engine Compartment Underside of Bonnet and Boot Lid Inside Door } Body Colour



Part Number	Price £ea.	Description	Req.	Details
Hoods & Tonneau				
1 AKE1760DD	£464.00	HOOD, black, 'Durable' canvas*	1	1 window,
AKE1760	£300.30	HOOD, black, vinyl*	1	early 1500cc
AKE1761DD	£487.00	HOOD, tan, 'Durable' canvas*	1	
AKE1760W	NCA	HOOD, white, vinyl*	1	
AKE1762DD	£468.00	HOOD, black, 'Durable' canvas*	1	3 window,
AKE1762	£280.00	HOOD, black, vinyl*	1	late 1500cc
AFH6850DD	£620.00	HOOD, tan, 'Durable' canvas*	1	and all 1600cc
AFH6852P	£341.00	HOOD, tan, vinyl*	1	
AFH6855P	£328.10	HOOD, white, vinyl*	1	
AFH6848BLK	£341.00	HOOD, black, vinyl	1	3 window, MkII
AFH6848W	NCA	HOOD, white, vinyl	1	
AFH6848	£341.00	HOOD, grey, vinyl	1	
AFH6849	£293.50	HOOD, red, vinyl	1	
AFH6853P	£341.00	HOOD, blue, vinyl	1	
2 AKE1762CAP	£2.10	HOOD FINISHER, end cap	2	
3 552650	£0.60	FASTENER, socket, 'Lift the Dot'	6	
552650Z	NCA	FASTENER, socket, 'Lift the Dot'	6	unbranded
4 552651	£0.42	CLINCH PLATE	6	
5 14A6537	£0.38	EYELET	2	
6 14A6538	£0.40	WASHER, eyelet	2	
7 AFH2659	£11.10	RETAINER, rear of hood	1	
8 14B1730	£4.00	RETAINER, on body	2	
9 AAA5130	£1.64	CUP WASHER	2	
10 AFH6847	£258.00	HOOD FRAME	1	
11 SE604081	£0.40	SCREW, pan head	2	hood frame
SF604081	£0.35	SCREW, countersunk	4	fixing
12 AFH6846	£49.40	HEADER RAIL, wood, (ash)	1	
13 AAA5166	£7.00	WING BOLT	2	
14 AFH2635	£4.70	SOCKET, header rail	2	
15 AFH6772	£18.30	LATCH, header rail	1	
16 AFH6773	£6.35	CATCH, windscreen centre	1	
17 AFH6572	£195.00	TONNEAU, black, vinyl	1	RHD models
8G9122	£157.10	TONNEAU, red, vinyl	1	'short style'

*Note: Early 1500cc & late 1500cc - 1600cc hoods are interchangeable.

Part Number	Price £ea.	Description	Req.	Details
8G9123	NCA	TONNEAU, white, vinyl	1	mounts on
8G9124	£152.90	TONNEAU, grey, vinyl	1	rear cockpit rail
8G9125	£160.70	TONNEAU, beige, vinyl	1	
8G9126	NCA	TONNEAU, blue, vinyl	1	
AFH6572N	£163.00	TONNEAU, navy blue, vinyl	1	
AFH6572D	£205.80	TONNEAU, black, double duck	1	
AFH6572M	£226.50	TONNEAU, black, mohair	1	
AFH6571L	£157.50	TONNEAU, black, vinyl	1	LHD models
8G91221	£156.50	TONNEAU, red, vinyl	1	'short style'
8G9123LL	£157.50	TONNEAU, white, vinyl	1	cloth mounts on
8G91241	£156.50	TONNEAU, grey, vinyl	1	rear cockpit rail
8G9125X	£173.20	TONNEAU, beige, vinyl	1	
AFH6571LN	£153.90	TONNEAU, navy blue, vinyl	1	
AFH6571LS	NCA	TONNEAU, black, 'Stayfast', cloth	1	
AFH6571LD	£236.50	TONNEAU, black, 'Durable', canvas	1	
8G9125LS	£173.20	TONNEAU, tan, 'Stayfast' cloth	1	
8G9125LD	NCA	TONNEAU, tan, 'Durable', canvas	1	
AFH6572L	£178.60	TONNEAU, black, vinyl	1	RHD models
8G9122L	£160.70	TONNEAU, red, vinyl	1	'long style'
8G9123L	NCA	TONNEAU, white, vinyl	1	mounts behind
8G9124L	NCA	TONNEAU, grey, vinyl	1	rear cockpit rail
8G9125L	£157.10	TONNEAU, beige, vinyl	1	
8G9126L	NCA	TONNEAU, blue, vinyl	1	
AFH6572LD	NCA	TONNEAU, black, double duck	1	
AFH6571LL	£174.20	TONNEAU, black, vinyl	1	
8G9122X1	£160.70	TONNEAU, red, vinyl	1	
8G9123LLL	NCA	TONNEAU, white, vinyl	1	LHD models
8G9124X1	£157.10	TONNEAU, grey, vinyl	1	'long style'
8G9125X1	£133.55	TONNEAU, beige, vinyl	1	mounts behind
AFH6571LLS	NCA	TONNEAU, black, 'Stayfast', cloth	1	rear cockpit rail
AFH6571LLD	£243.00	TONNEAU, black, 'Durable', canvas	1	
8G9125LLS	£173.20	TONNEAU, tan, 'Stayfast', cloth	1	
8G9125LLD	NCA	TONNEAU, tan, 'Durable', canvas	1	
AKE1756	£161.70	TONNEAU, original style, RHD, black, vinyl	1	mounts on studs
AKE1758	£161.70	TONNEAU, original style, LHD, black, vinyl	1	behind rear
AKE1758DD	£205.80	TONNEAU, original style, LHD, black, double duck	1	cockpit rail
18 552650	£0.60	FASTENER, socket, 'Lift the Dot'	6	
552650Z	NCA	FASTENER, socket, 'Lift the Dot'	6	unbranded

ill.	Part Number	Price £ea.	Description	Req.	Details
19	552651	£0.42	CLINCH PLATE	6	
20	552667	£0.90	STUD, wood screw	a/r	
21	97H717	£1.00	STUD, machine screw	a/r	
22	GHF206	£0.08	NUT, for stud	a/r	
23	14A6536	£1.10	TURN BUTTON	2	
24	LFP116	£1.30	STUD, flanged, alternative	6	front tonneau fixing
25	AD604043	£0.17	SCREW, chrome, for stud	12	

Manufactured in our own upholstery shop, these hood and tonneau covers are in a class by themselves. The rear windows of the hoods are sewn and double-bound in the very best European manner. We have carefully patterned, designed, and tested our hoods and tonneau covers to provide perfect fit and years of satisfaction. Although the MkII hoods are not made by Moss, they do have dialectically welded windows as original.

Fabric Side Screen Sets

These original style fabric covered side screen sets for the MGA 1500cc & 1600cc models, are manufactured in the same Harts stayfast fabric and durable canvas to match the original style fabric and canvas tops.

Note: Other colourways may be available to special order, please contact your nearest Moss branch for details.

MGA 1500cc

The MGA 1500cc side screen is an exact copy of the original, and includes the lifting curtain design to allow the doors to be opened from outside as well as allowing the driver to negotiate hand signal.

GAC2015X	£749.00	DOUBLE DUCK, black	1
GAC2014X	£708.00	VINYL, black	1

MGA 1600cc

The MGA 1600cc side screens are supplied with perspex sliding windows enabling drivers to see to the left and right without unpleasant bending.

GAC2016X	£642.00	DOUBLE DUCK, black	1
GAC2017X	£585.00	VINYL, black	1

Moss Side Screen Sets

Starting with the original sliding plexiglass aluminium framed side screens as supplied with the factory hardtops, then making a few changes and improvements, Moss has ensured a perfect fit for all MGA's with standard pattern convertible tops. These extremely well made side screens are virtually identical in construction to the factory optional side screens.

MM259-648	£404.00	SIDE SCREEN SET	1
MM259-637	£40.60	BRACKET SET	1
MM259-647	£45.20	RUBBER SET	1

ill.	Part Number	Price £ea.	Description	Req.	Details
	FAS3	£0.44	SCREWS, chassis plate	4	
	FAS4	£0.50	NUTS, chassis plate	4	
2	CRCP341	£4.06	'PATENT' NUMBER PLATE*	1	
3	CRCP343A	£1.70	'ENGINE NO'. PLATE, (blank)	1	all
NI	CRCP386	NCA	'ENGINE NO'. PLATE, BP15GB	1	early 1500cc
NI	CRCP387	NCA	'ENGINE NO'. PLATE, 15GB-U-H	1	mid 1500cc
4	CRCP388	NCA	'ENGINE NO'. PLATE, 15GD-U-H	1	late 1500cc
5	CRCP389	NCA	'ENGINE NO'. PLATE, 16GA-U-H	1	1600cc
NI	CRCP390	NCA	'ENGINE NO'. PLATE, 16GC-U-H	1	1622cc
NI	CRCP391	NCA	'ENGINE NO'. PLATE, 16GB-U-H	1	Twin Cam
	FAS2	£0.40	RIVET, engine no. plate	2	
6	CRB204	£5.34	'FIRING ORDER' PLATE, brass	1	1500cc
7	CRB205	£5.34	'FIRING ORDER' PLATE, brass	1	1600cc
8	CRCP349	£2.90	'MG' PLATE*	1	rocker cover
9	CRCP350	£3.14	'WESTLAKE' PATENT PLATE*	1	
	AHA9999	£0.25	RIVET, rocker cover plate	4	
NI	CRB213	NCA	'MORRIS', radiator late	1	
10	CRCP329	£2.52	'AUSTER', windscreen plate	1	Roadsters
	FAS1	£0.30	RIVETS, for 'Auster' plate	2	
11	CRCP302	£2.20	'HEATER NO'. PLATE, 'Smiths'*	1	
12	CRCP303	£2.75	'HEATER CAUTION' PLATE*	1	
	GHF600	£0.06	RIVET, heater plates	1	
13	CRST156	£2.45	'LUCAS' DECAL, ignition coil	1	
14	CRST191	£2.84	'LUCAS', BATTERY DECAL	1	
15	CRST122	£1.85	WIRING HARNESS LABEL	1	
16	CRST124	£1.33	'TUDOR' DECAL, washer bottle*	1	
17	CRST236	£1.85	'VOKES' DECAL, air cleaner	2	Twin Cam
18	CRCP395	£5.90	CARB' ID TAG, (AUC784)	2	1500cc
NI	CRCP393	NCA	CARB' ID TAG, (AUC943)	2	1600cc, 1600cc MkII
19	CRCP394	NCA	CARB' ID TAG, (AUC877)	2	Twin Cam
20	CRST212	£2.24	'SU' DECAL, fuel pump	1	
21	CRST223	£3.35	'DUNLOP' DECAL, road wheel	4	Twin Cam
22	CRST255	£3.70	'HT' LABEL SET	1	



Twin Cam & De Luxe Supplement

Contents in Catalogue Order

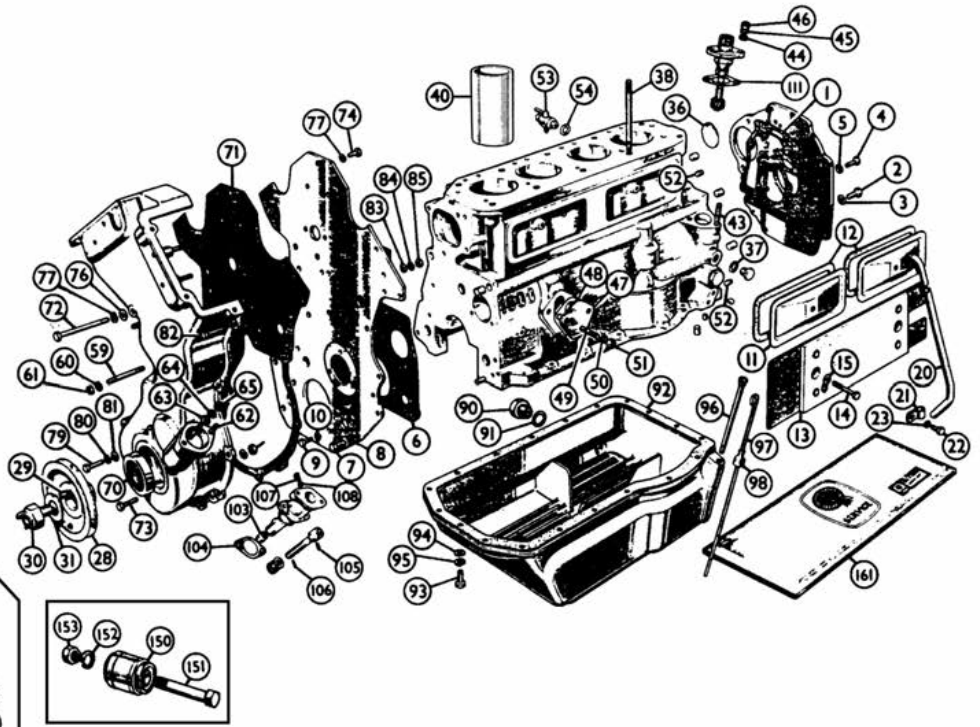
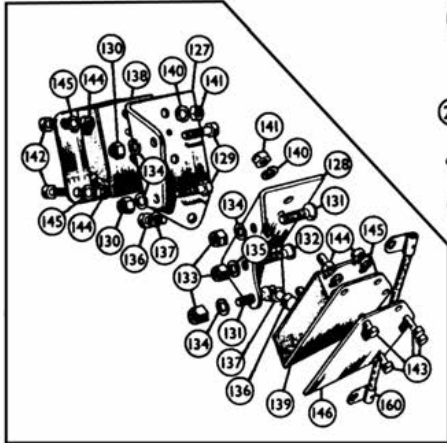
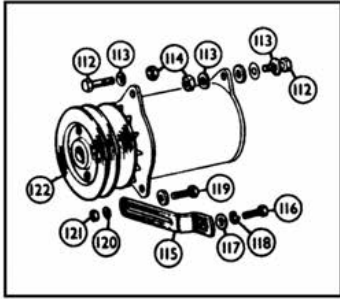
External Engine & Cylinder Block Fittings	Page 50
Engine & Dynamo Mountings	Page 51
Oil Cooler, Oil Pump & Filter	Page 51
Crankshaft & Con Rods	Page 52
Pistons & Flywheels	Page 52
Camshafts & Timing Gear	Page 52
Cylinder Head & Manifolds	Page 53
Radiator, Water Pump	Page 54
Fan & Hoses	Page 54
Thermostat, Water Pipes	Page 55
Heater & Demister	Page 55
Clutch & Gearbox	Page 56
Fuel Tank, Pump & Fittings	Page 57
Carburettors & Components	Page 58
Engine Controls	Page 59
Exhaust Controls	Page 59
Exhaust System	Page 59
Brake Hydraulic System	Page 60
Fluids & Handbrake Cable	Page 60
Front & Rear Brakes	Page 61
Steering & Front Suspension	Page 62
Rear Axle & Road Wheels	Page 62
Ignition System	Page 63
Wiring Harness, (Looms)	Page 63
Instruments, (Oil Pressure Gauge)	Page 63
Body/Badges	Page 63



Chassis/Engine & Identification Plates

These are quality photo etched reproductions of the original plates. If your chassis ID plate is missing, the actual chassis number is stamped on the cross member directly in front of the right hand seat. The red & black 'Auster' nameplate is fitted on all Roadsters on the centre of the lower windscreen frame rail.

NI	CRMGK514	£17.70	PLATE & DECAL SET, Coupé	1	car & under-bonnet
			(Set includes all items marked*).		
NI	CRMGK515	£17.70	PLATE & DECAL SET, Roadster	1	car & under-bonnet
			(Set includes all items marked* plus the 'Auster' plate).		
NI	CRCP340A	NCA	CHASSIS ID PLATE	1	early 1500cc
1	CRCP340	£5.34	CHASSIS ID PLATE*	1	late 1500cc, 1600cc & MkII



iii. Part Number Price £ea. Description Req. Details

External Engine (Twin Cam)

Twin Cam Introduction and Production

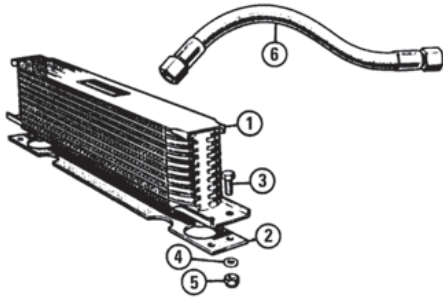
The Twin Cam MGA was a significant development for MG. It was in production from September 1958 until June 1960, during which period a total of 2111 cars were produced; they were numbered separately from regular MGA production. Being such an extensive development of the push rod 'B' series unit, the Twin Cam engine has little in common with the former. Another major difference from regular MGA's is of course the Dunlop braking system, endowing the Twin Cam with all-round disc brakes and necessitating a modified chassis plus a host of other detail changes.

The 1600cc De luxe and MKII De luxe models were numbered in the regular series and no reliable figures are available regarding total production. Some sources claim as many as 500 of these cars existed, but recent research shows somewhat less than that (395). This rarest and most desirable of all MGA's represented the MGA at its highest peak.

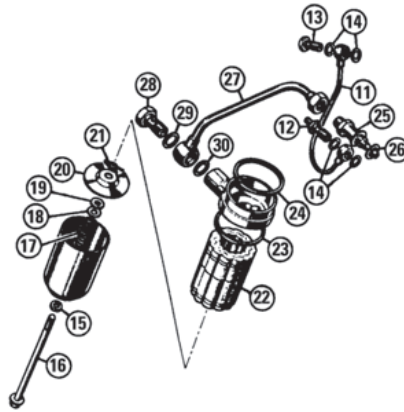
The parts listed on the following pages fit only the Twin Cam and De luxe models, with the exception of the engine parts, which fit the Twin Cam only. Body, frame, electrical, interior, and most suspension parts for these models are the same as standard MGA's.

1	12H768	£1.85	GASKET, back plate to block	1
2	SH606071	£0.25	SCREW	8
3	GHF333	£0.19	WASHER, locking	8
4	SH605071	£0.40	SCREW	4
5	GHF332	£0.19	WASHER, locking	4
6	AEH319	NCA	GASKET, front plate to block	1
7	SH605051	£0.20	SCREW	6
8	GHF332	£0.19	WASHER, locking	6
9	SH604051	£0.19	SCREW	2
10	GHF331	£0.12	WASHER, locking	2
11	12A1386	NCA	SIDE COVER, front	1
12	12A1139	£1.10	GASKET, tappet cover	2
	296-377	£15.10	GASKET, tappet cover, silicone, pair	1
13	AEH584	NCA	HEAT SHIELD	1
14	BH605131	£0.62	BOLT	2
15	AEC461	NCA	WASHER, sealing	2
20	AEH628	£37.50	VENT PIPE	1
21	1G1309	NCA	CLIP, vent pipe	1
22	SH605051	£0.20	SCREW	1
23	GHF332	£0.19	WASHER, locking	1
28	AEH428	NCA	PULLLEY, crankshaft	1
29	2H326	£1.34	KEY, woodruff	1
30	1H765	£26.90	NUT, starting dog	1
31	AEH429	NCA	WASHER, locking	1
36	AEH592	£1.00	CORE PLUG, block	4

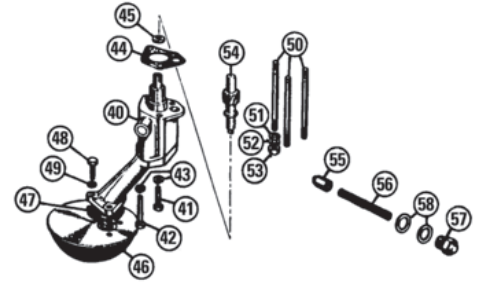
37	6K638	£0.22	WASHER, sealing	1
38	AEH549	£8.34	STUD, cylinder head	10
40	AEH656	£27.40	CYLINDER LINER	4
43	TE505111	£0.67	STUD, tach. drive housing	2
44	GHF301	£0.10	WASHER, plain	2
45	GHF332	£0.19	WASHER, locking	2
46	GHF201	£0.08	NUT	2
47	1G2443	£10.44	PLATE, blanking	1
48	12H1317	NCA	GASKET	1
49	53K257	NCA	STUD, blanking plate	2
50	GHF332	£0.19	WASHER, locking	2
51	GHF201	£0.08	NUT	2
52	1G752	£0.82	DOWEL, back plate locating	2
53	3H576	£18.00	DRAIN TAP	1
54	6K638	£0.22	WASHER, sealing	1
59	53K553	£2.10	STUD, timing cover	3
60	GHF332	£0.19	WASHER, locking	3
61	GHF201	£0.08	NUT	3
62	TE505111	£0.67	STUD	2
63	GHF301	£0.10	WASHER, plain	2
64	GHF332	£0.19	WASHER, locking	2
65	GHF201	£0.08	NUT	2
70	AEJ5	£7.27	OIL SEAL, timing cover	1
71	AEH377	NCA	GASKET, timing cover to front plate	1
72	AEH378	£1.85	BOLT	1
73	GHF103	£0.42	SCREW	5
74	SH505071	£0.29	SCREW	2/1 } qty. reduced from chassis no. 556
75	BH505141	£0.71	BOLT, cable clamp attachment	1 } from chassis no. 556
76	GHF301	£0.10	WASHER, plain	7
77	GHF332	£0.19	WASHER, locking	8
78	GHF201	£0.08	NUT	5
79	SH605091	£0.60	SCREW	3
80	GHF301	£0.10	WASHER, plain	3
81	GHF332	£0.19	WASHER, locking	3
82	BH605101	£0.55	BOLT	1
83	GHF301	£0.10	WASHER, plain	1
84	GHF332	£0.19	WASHER, locking	1
85	GHF201	£0.08	NUT	1
90	2H4685	£8.65	PLUG, drain	1
91	6K431B	£0.60	WASHER, sealing	1
92	AJM503	£2.00	GASKET, sump	1
93	SH604071	£0.34	SCREW	19
94	GHF300	£0.12	WASHER, plain	19



Oil Cooler



Oil Filter



Oil Pump

Ill.	Part Number	Price £ea.	Description	Req.	Details
95	GHF331	£0.12	WASHER, locking	19	
96	AEH536	£9.73	TUBE, dipstick	1	
97	AEH568	£77.30	DIPSTICK	1	
98	AEC671	£0.40	WASHER, rubber	1	
103	AEH531	NCA	BUSH	2	
104	AEH502	NCA	GASKET, distributor drive housing	1	
105	TPS508	NCA	PIN, taper	1	
106	TPS507	NCA	PIN, taper	1	
107	SH504041	£0.29	SCREW	1	
108	GHF331	£0.12	WASHER, locking	1	
111	1G2401	£1.33	GASKET, tach. drive housing	1	
112	BH605141	£0.86	BOLT	2	
113	GHF301	£0.10	WASHER, plain	4	
114	GHF222	£0.42	NUT, nyloc	2	
115	AEH614	£24.90	ADJUSTING LINK	1	
116	SH505091	£0.88	SCREW	1	
117	GHF301	£0.10	WASHER, plain	1	
118	GHF332	£0.19	WASHER, locking	1	
119	SH505091	£0.88	SCREW	1	
120	GHF301	£0.10	WASHER, plain	1	
121	GHF208	£0.19	NUT	1	
122	AEH605	NCA	PULLEY, dynamo	1	
127	AHH5065	£12.50	MOUNTING BRACKET, RH	1	
128	AHH5703	NCA	MOUNTING BRACKET, LH	1	
129	GHF103	£0.42	SCREW	2	
130	LNZ105	£0.58	NUT, locking	2	
131	SF605081	£0.40	SCREW	2	
132	SF605101	£0.60	SCREW	1	
133	LNZ105	£0.58	NUT, locking	3	
134	GHF332	£0.19	WASHER, locking	4	
135	GHF301	£0.10	WASHER, plain	1	
136	SH606061	£0.50	SCREW	2	
137	GHF333	£0.19	WASHER, locking	2	
138	AHH5833	£10.30	ENGINE MOUNTING, RH	1	
139	BHH1352	£5.80	ENGINE MOUNTING, LH	1	
140	GHF332	£0.19	WASHER, locking	4	
141	GHF201	£0.08	NUT	4	
142	SH605051	£0.20	SCREW	4	
143	GHF120	£0.19	SCREW	4	
144	GHF201	£0.08	NUT	8	
145	GHF332	£0.19	WASHER, locking	8	
146	AHH6992	£5.00	PLATE, packing	1	
150	AHH5031	£12.00	GEARBOX MOUNTING	1	
151	BH608261	£1.64	BOLT	1	
152	GHF335	£0.24	WASHER, locking	1	
153	LNZ108	£1.10	NUT, locking	1	
160	2K6167	£8.70	STRAP, engine earth	1	
161	8G2263	£63.50	CONVERSION GASKET SET*	1	

Ill.	Part Number	Price £ea.	Description	Req.	Details
------	-------------	------------	-------------	------	---------

Oil Cooler (Twin Cam)

1	AR09807	£66.00	OIL RADIATOR	1	
2	AHH5902	£3.40	PACKING	1	
3	SH604051	£0.19	SCREW	4	
4	GHF300	£0.12	WASHER, plain	4	
5	GHF221	£0.24	NUT, nyloc	4	
6	AHH6296	£29.30	OIL PIPE, flexible	2	

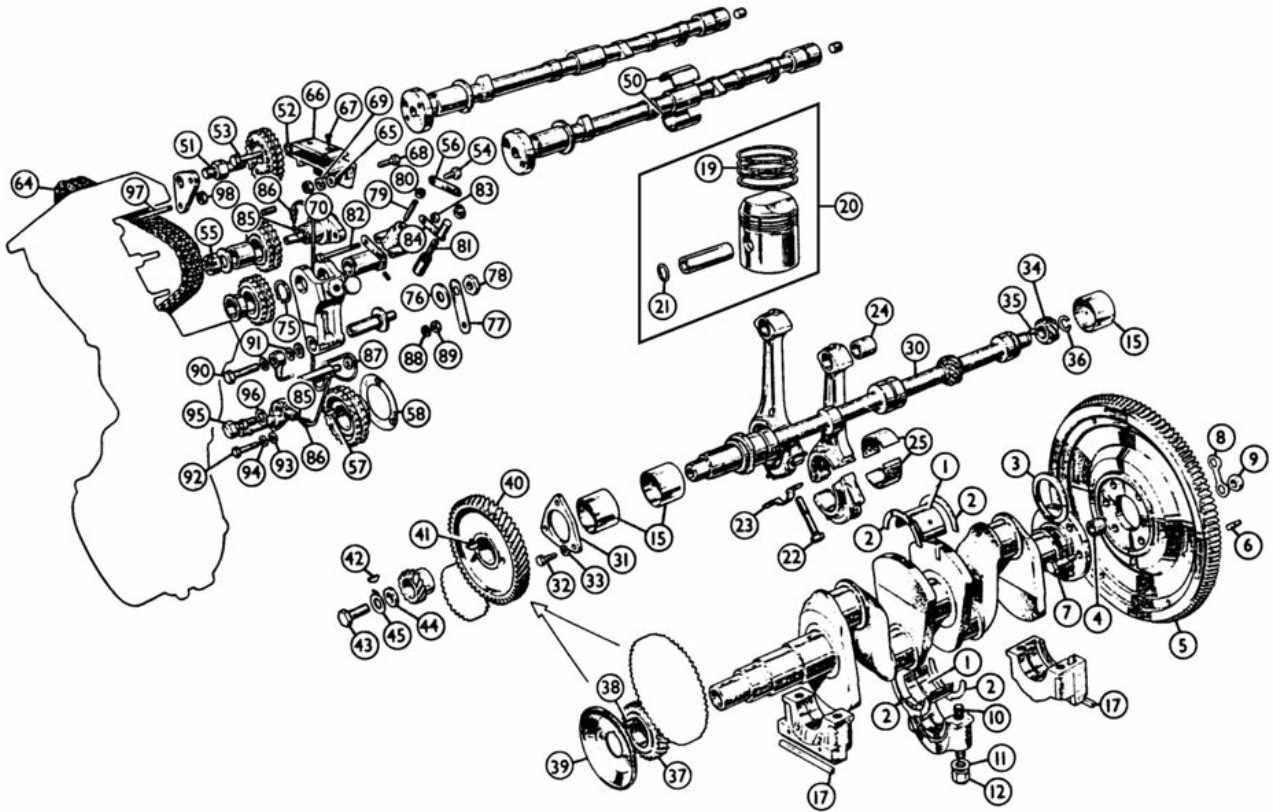
Oil Filter (Twin Cam)

11	AEH310	NCA	OIL FEED PIPE	1	
12	AEH313	£52.80	BANJO BOLT	1	
13	AEH602	NCA	BANJO BOLT	1	
14	6K500	£0.86	WASHER, sealing	4	
15	7H1948	£0.50	WASHER, sealing	1	
16	7H1965	NCA	BOLT, filter attachment	1	
17	7H1764	£1.80	SPRING	1	
18	7H1969	£0.40	WASHER, steel	1	
19	2K5820	£0.34	WASHER, felt	1	
20	17H846	£10.70	PRESSURE PLATE	1	
21	1K372	£0.59	CIRCLIP	1	
22	8G683	£7.20	OIL FILTER ELEMENT, felt	1	
	GFE102	£3.70	OIL FILTER ELEMENT, paper	1	
23	8G619	£1.00	'O' RING, sealing	1	
24	8G619	£1.00	'O' RING, sealing	1	
25	1H922	£16.90	ADAPTOR	1	
26	6K501	£0.40	WASHER, sealing	1	
27	AEH598	NCA	OIL PIPE	1	
28	1K2142	NCA	BANJO BOLT	1	
29	1H898	NCA	WASHER, sealing	1	
30	6K501	£0.40	WASHER, sealing	1	

Oil Pump (Twin Cam)

40	88G296	£80.00	OIL PUMP	1	
41	GHF101	£0.19	SCREW	1	
42	SH604141	£0.50	SCREW	1	
43	GHF331	£0.12	WASHER, locking	2	
44	88G420	£1.01	GASKET	1	
45	AEH460	£31.50	THRUST WASHER	1	
46	JAM2227	£27.70	OIL STRAINER	1	
47	88G421	£0.40	GASKET	1	
48	SH604071	£0.34	SCREW	3	
49	GHF331	£0.12	WASHER, locking	3	
50	AEH601	£3.00	STUD, oil pump	3	
51	GHF301	£0.10	WASHER, plain	3	
52	GHF332	£0.19	WASHER, locking	3	
53	GHF201	£0.08	NUT	3	
54	AEH620	NCA	SPINDLE, oil pump	1	
55	12H865	£3.76	OIL PRESSURE RELEASE VALVE	1	
56	1H756	£1.24	SPRING, valve	1	
57	12A1851	£2.60	CAP NUT	1	
58	6K431B	£0.60	WASHER, sealing	2	

*Note: Gasket set 8G2263 includes items 1, 6, 12 (x 2), 48, 54, 71, 92, 104, 111 as listed here. Also included are AEH478 (thermostat gasket), AEH471 (water pump base gasket), AEH463 (water pump gasket), AEH468 (water inlet gasket), AEH490 (water filler neck gasket), 88G421 (oil strainer gasket), 88G420 (oil pump gasket), 8G619 (oil filter 'O' ring), 6K501 (oil pump adaptor washer), 12H1638 (main bearing cap cork seal, x 2).

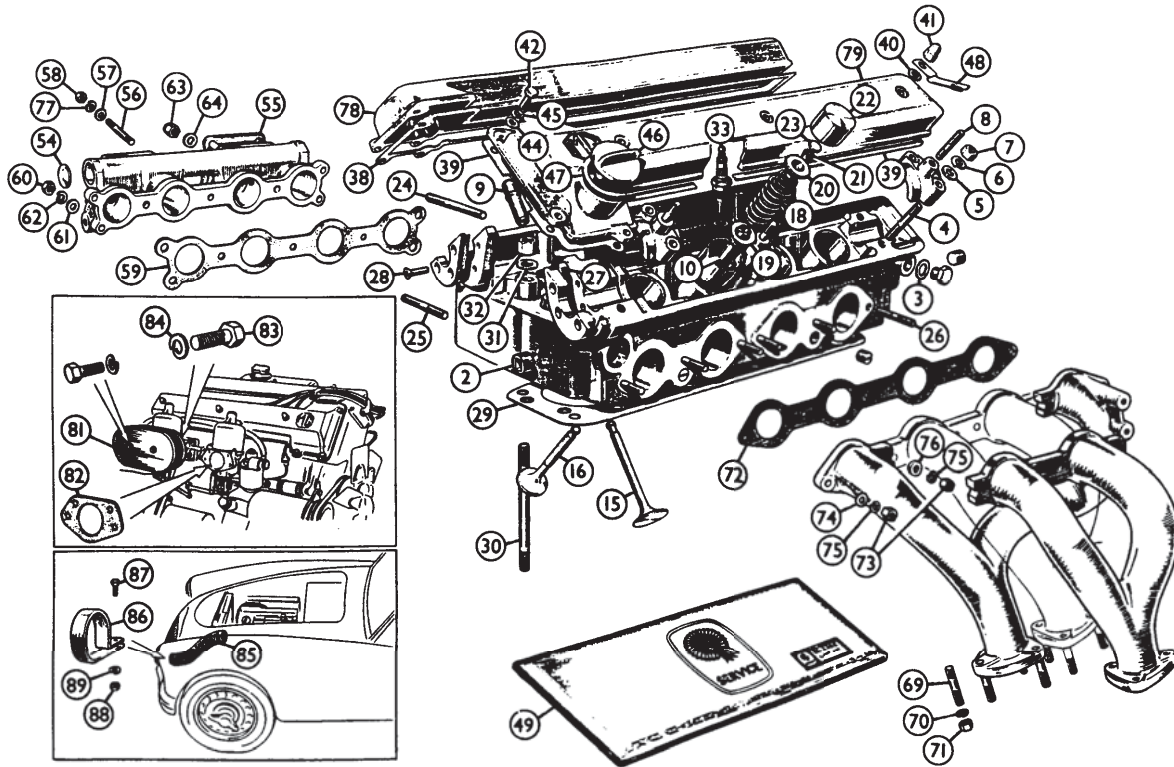


Part Number	Price £ea.	Description	Req.	Details
Internal Engine (Twin Cam)				
8G2257STD	NCA	MAIN BEARING SET (Main bearing shells for the MGA Twin Cam are currently unavailable. As an alternative we can offer main bearing shells as used in the 1622cc engine).	1	
1 8G2335	£27.50	MAIN BEARING SET, standard	1	1622cc, alternative
2 BHM1294	£8.76	THRUST WASHERS, set of four	1	(Please state required size. Standard, 0.010", 0.020", 0.030" or 0.040").
3 AEH519	£20.85	OIL SEAL, rear	1	
4 1G765	£2.00	SPIGOT BUSH	1	
5 1G2874	£20.00	RING GEAR	1	
6 AEH541	NCA	DOWEL	2	
7 51K1022	£4.78	BOLT, flywheel	6	
8 6K26	£1.85	WASHER, locking	3	
9 FNZ506	£0.50	NUT	6	
10 51K894	£6.40	STUD, main bearing cap	6	
11 GHF335	£0.24	WASHER, locking	6	
12 LN2108	£1.10	NUT, locking	6	
15 BHM1212	£14.60	LINER SET, half speed shaft	1	
17 12H1638	£1.75	SEALING STRIP, cork	2	
19 AEH556KSTD	NCA	RING SET, standard	1	
AEH556K020	NCA	RING SET, 0.020"	1	
AEH556K030	£92.63	RING SET, 0.030"	1	
20 AEH690STD	£488.00	PISTON ASSEMBLY, (engine set)	1	8.3:1 Comp ratio (State required size. Standard, 0.010", 0.020", 0.030", 0.040 or 0.060").
21 CCN214	NCA	CIRCLIP	8	
22 AEH647	NCA	BOLT, con rod	8	
23 6K881	£0.80	WASHER, locking	4	
24 C17164	£3.66	BUSH, small end	4	
25 8G2259STD	NCA	CON ROD BEARING SET*	1	standard size only

*Note: At the time of going to press we can only offer standard size shells.

30 AEH619	NCA	HALF SPEED SHAFT	1	
31 AEH608	NCA	PLATE, locating	1	
32 GHF117	£0.19	SCREW	3	
33 GHF332	£0.19	WASHER, locking	3	
34 AEH454	£128.44	GEAR, tachometer drive	1	
35 WKN304	£0.71	KEY, woodruff	1	
36 1H605	£0.60	CIRCLIP	1	
37 AEH426	NCA	GEAR, crankshaft	1	
38 2H326	£1.34	KEY, woodruff	1	
39 AEH427	NCA	OIL THROWER	1	
40 AEH449	NCA	GEAR, half speed shaft	1	

Part Number	Price £ea.	Description	Req.	Details
41 WKN505	£0.98	KEY, woodruff	1	
42 WKN304	£0.71	KEY, woodruff	1	
43 AEH451	£4.21	BOLT	1	
44 AEH452	NCA	WASHER	1	
45 AEH453	NCA	WASHER, locking	1	
50 8G2261	NCA	CAMSHAFT BEARING SET	1	12 pieces
51 AEH412	NCA	SPROCKET SPINDLE	2	
52 CCN108	NCA	CIRCLIP	2	
53 AEH413	£5.75	BOLT, sprocket	4	
54 SH605051	£0.20	SCREW	2	
55 AEH340	NCA	NUT, castle head	1	
56 AEH341	NCA	WASHER, tab	1	
57 WKN505	£0.98	KEY, woodruff	1	
58 AEH446	NCA	SHIM, 0.002"	a/r	
AEH447	NCA	SHIM, 0.003"	a/r	
64 AEH372	£18.30	TIMING CHAIN	1	
65 AEH332	NCA	DAMPER BRACKET	2	
66 AEH334	£18.95	DAMPER	2	
67 CRS207	NCA	RIVET	4	
68 GHF120	£0.19	SCREW	4	
69 GHF332	£0.19	WASHER, locking	4	
70 GHF201	£0.08	NUT	4	
75 CCN118	£1.20	CIRCLIP	1	
76 GHF304	£0.13	WASHER, plain	1	
77 AEH343	NCA	WASHER, tab	1	
78 AEH623	£1.24	NUT	1	
79 AEH362	£2.10	SCREW, adjuster	1	
80 GHF208	£0.19	NUT, locking	1	
81 AEH561	NCA	SPRING	1	
82 AEH370	NCA	BOLT	2	
83 GHF200	£0.12	NUT	2	
84 AEH371	NCA	WASHER, tab	1	
85 6K649	£0.60	OLIVE	2	
86 2A459	£3.20	NUT	2	
87 6K4973	NCA	WASHER, sealing	1	
88 GHF332	£0.19	WASHER, locking	1	
89 GHF201	£0.08	NUT	1	
90 AEH359	£9.37	BANJO BOLT	1	
91 324-760	£1.10	WASHER, sealing	2	
92 GHF101	£0.19	SCREW	1	
93 GHF300	£0.12	WASHER, plain	1	
94 GHF331	£0.12	WASHER, locking	1	
95 AEH360	£6.80	BANJO BOLT	1	
96 AEH520	NCA	WASHER, sealing	1	
97 AEH375	NCA	STUD	4	
98 GHF201	£0.08	NUT	4	



iii. Part Number Price £ea. Description

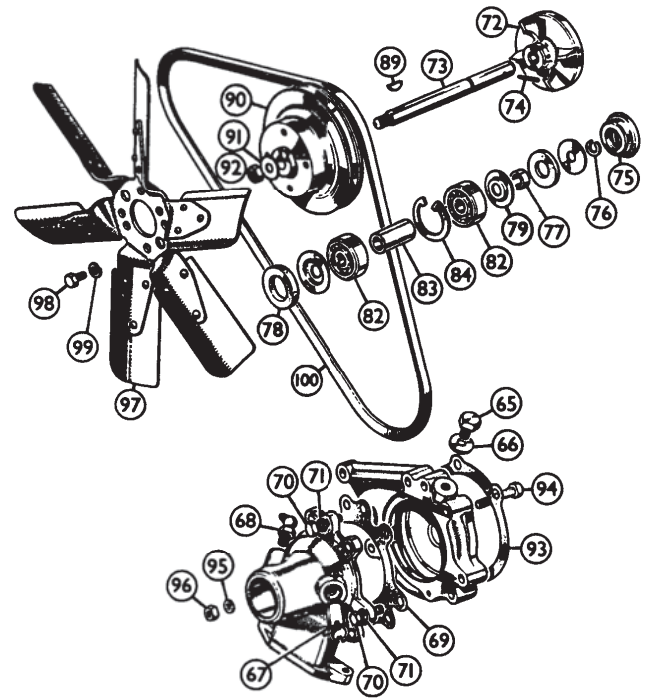
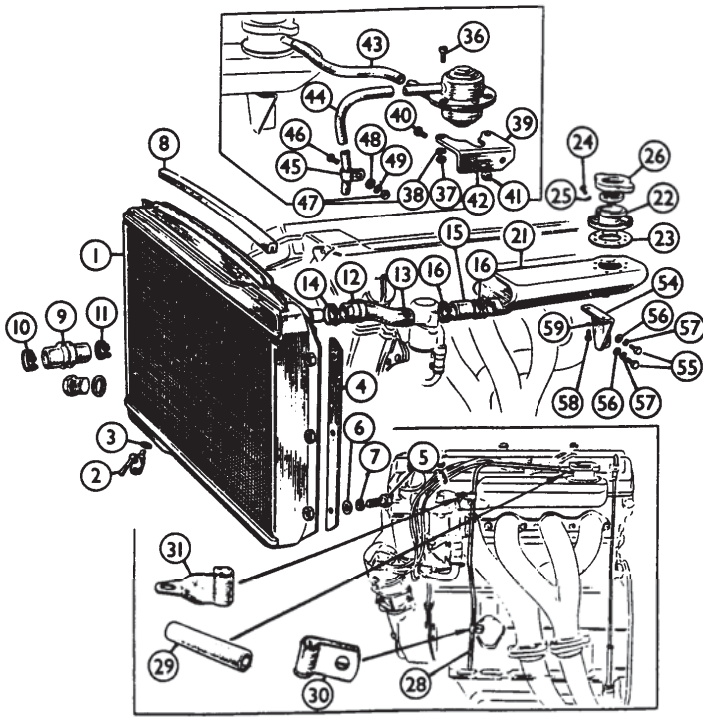
Cylinder Head (Twin Cam)

Part Number	Price £ea.	Description	Req.	Details
2	6K499	£1.90 PLUG	5	
3	324-545	£0.49 WASHER, sealing	1	
4	AEH390	NCA STUD, cam bearing cap to head	12	
5	GHF302	£0.30 WASHER, plain	12	
6	GHF333	£0.19 WASHER, locking	12	
7	GHF202	£0.12 NUT	12	
8	CHS2512	£3.10 STUD, cam bearing cap to cover	6	
9	AEH386	£20.80 VALVE GUIDE, inlet	4	
10	AEH387	£21.00 VALVE GUIDE, exhaust	4	
15	AEH394	£28.40 VALVE, inlet	4	
16	AEH571	£32.60 VALVE, exhaust	4	
18	AEH668C	NCA VALVE SPRING SET, 16 pieces	1	
19	AEH396	£1.55 THRUST WASHER	8	
20	AEH564	NCA SPRING CUP	8	
21	433-040	£2.54 HALF COLLET, valve retaining	16	
22	AEH677	£57.00 TAPPET BUCKET, (cam follower)	8	
23	AEH400	NCA TAPPET SHIM	a/r	
(Please state size required: 0.086", 0.088", 0.090", 0.092", 0.094", 0.096", 0.098", 0.100", 0.102", 0.104", 0.106", 0.108", 0.110", 0.112", 0.114", 0.116").				
24	AEH583	NCA STUD, inlet manifold, long	2	
25	CHS2613	£1.60 STUD, inlet manifold, short	5	
26	CHS2513	£1.00 STUD, exhaust manifold	6	
27	AEH404	£5.80 SEAL, rubber	2	
28	AEJ3	£0.88 SCREW, countersunk	6	socket drive
29	AEH548	£61.75 GASKET, cylinder head	1	
30	AEH549	£8.34 STUD, cylinder head	10	
31	12B2246	£1.80 WASHER	10	
32	AEC139	£1.25 NUT, cylinder head	10	
33	5N5C	£2.70 SPARK PLUG	4	
38	AEH415	£14.50 GASKET, inlet cover	1	
39	AEH417	£12.85 GASKET, exhaust cover	1	
40	324-546	£0.49 WASHER, sealing	6	
41	AEH418	£9.37 CAP NUT	6	
42	SH505091	£0.88 SCREW, cam cover retaining	4	
	BH505121	£0.94 BOLT, cam cover retaining	2	
44	GHF301	£0.10 WASHER, plain	6	
45	GHF332	£0.19 WASHER, locking	6	
46	AEH419	NCA FILLER CAP, oil	1	
47	AEH420	NCA WASHER, sealing	1	
48	AEH570	£13.75 BRACKET, dipstick	1	
49	8G2262	£71.00 GASKET SET, top end overhaul	1	
(Gasket set 8G2262 includes items 29, 38, 39, 55 (x 2), 59, 72 & also AEH423, (water elbow gasket).				

iii. Part Number Price £ea. Description

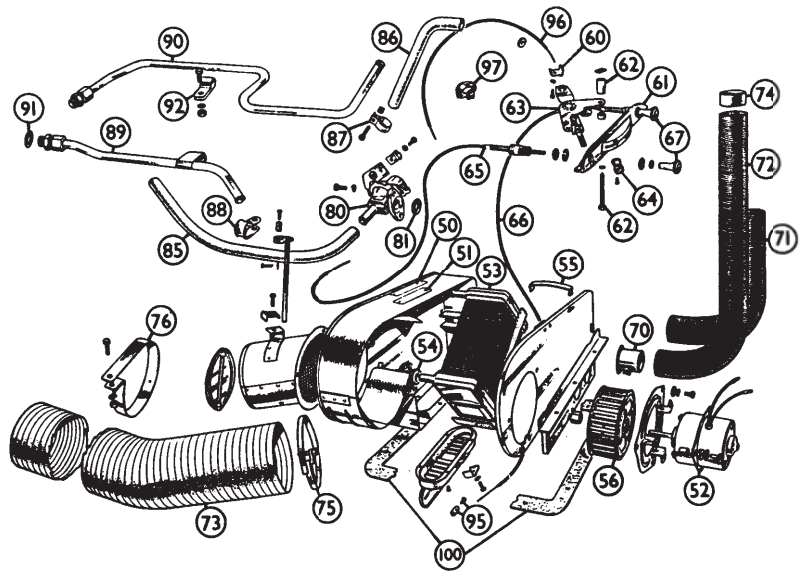
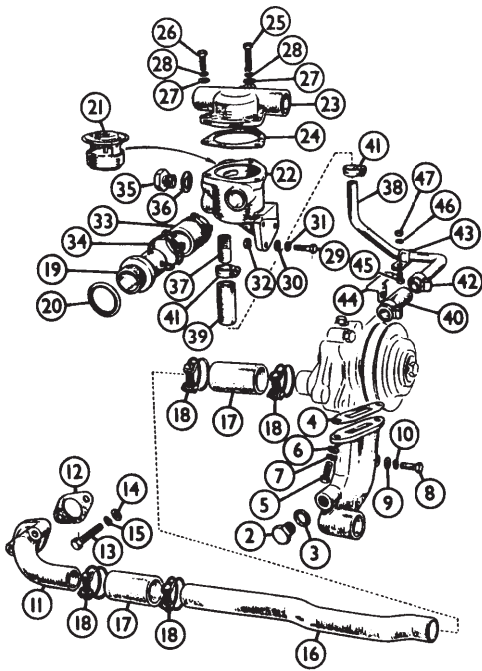
Air Filters (Twin Cam)

Part Number	Price £ea.	Description	Req.	Details
54	2K8168	NCA CORE PLUG	2	
55	112867	£0.50 GASKET, carburettor to manifold	2	
56	CHS2512	£3.10 STUD, carburettor mounting	8	
57	GHF301	£0.10 WASHER, plain	8	
58	GHF201	£0.08 NUT	8	
59	AEH578	£10.10 GASKET, inlet manifold to head	1	
60	GHF202	£0.12 NUT	5	
61	GHF302	£0.30 WASHER, plain	5	
62	GHF333	£0.19 WASHER, locking	5	
63	GHF223	£0.40 NUT, locking	2	
64	GHF302	£0.30 WASHER, plain	2	
69	AEH194	£1.55 STUD, exhaust manifold to down pipe	6	
70	GHF333	£0.19 WASHER, locking	6	
71	GHF262	£1.03 NUT, brass	6	
72	AEH574	£5.10 GASKET, exhaust manifold to head	1	
73	AHH8382	£3.14 NUT	6	
74	GHF301	£0.10 WASHER, plain	4	
75	GHF332	£0.19 WASHER, locking	6	
76	AEH603	£1.55 WASHER	2	
77	GHF332	£0.19 WASHER, locking	8	
78	AEH414	NCA CAM COVER, inlet	1	
79	AEH416	NCA CAM COVER, exhaust	1	
Air Filters (Twin Cam)				
81	AHH5960	£152.20 AIR CLEANER	2	
82	112892	£0.95 GASKET, air cleaner to carburettor	2	
83	SH605071	£0.40 SCREW	4	
84	GHF332	£0.19 WASHER, locking	4	
85	AHH5394	£17.60 HOSE, air intake	1	
86	AHH5714	£2.30 CLAMP	1	
87	PMZ316	£0.40 SCREW	1	
88	GHF206	£0.08 NUT	1	
89	WL700101	£0.12 WASHER, locking	1	



ill.	Part Number	Price £ea.	Description	Req.	Details
Radiator, Water Pump & Fan (Twin Cam)					
1	ARH121E	NCA	RADIATOR, recon/exchange	1	
	ARH121AL	£703.00	RADIATOR, new, alloy	1	
2	061864	£10.28	DRAIN TAP	1	
3	ARH517	£0.22	WASHER, sealing	1	
4	AHH5144	£1.85	PACKING	a/r	
5	SH605071	£0.40	SCREW	6	
6	GHF301	£0.10	WASHER, plain	6	
7	GHF332	£0.19	WASHER, locking	6	
8	AHH5706	NCA	AIR SEAL, radiator	1	
9	GRH357	£11.82	HOSE, bottom	1	
10	CS4025	£1.50	HOSE CLIP, (wire type)	1	
11	CS4026	£1.60	HOSE CLIP, (wire type)	1	
12	GRH356	£17.05	HOSE, top	1	
13	CS4029	£1.60	HOSE CLIP, (wire type)	1	
14	CS4025	£1.50	HOSE CLIP, (wire type)	1	
15	GRH392	NCA	HOSE, to header tank	1	
	GRH392X	£2.15	HOSE, to header tank, silicone	1	
16	CS4029	£1.60	HOSE CLIP, (wire type)	2	
21	AEH593	NCA	HEADER TANK	1	
22	AEH487	NCA	FILLER NECK	1	
23	AEH490	£0.60	GASKET	1	
24	PMZ306	£0.29	SCREW	6	
25	WL700101	£0.12	WASHER, locking	6	
26	GRC101	£4.30	CAP, radiator, 7 psi	1	to chassis 652
27	GRC126	£4.50	CAP, radiator, blanking	1	from chassis 653
28	AEH596	NCA	PIPE, overflow	1	
29	AEH594	NCA	CONNECTOR, rubber	1	to chassis 652
30	PCR611	£0.85	PIPE CLIP	1	
31	AEH604	NCA	CLIP	1	
36	PMZ308	£0.18	SCREW	2	
37	GHF206	£0.08	NUT	2	
38	WL700101	£0.12	WASHER, locking	2	
39	AHH5906	NCA	BRACKET, valve	1	
40	SH604041	£0.19	SCREW	2	
41	GHF200	£0.12	NUT	2	
42	GHF331	£0.12	WASHER, locking	2	from chassis 653
43	AHH5905	NCA	HOSE	1	
44	AHH5907	NCA	TUBE, overflow	1	
45	PCR607	£0.85	PIPE CLIP	1	
46	PMZ306	£0.29	SCREW	1	
47	GHF206	£0.08	NUT	1	
48	GHF306	£0.19	WASHER, plain	1	
49	WL700101	£0.12	WASHER, locking	1	

ill.	Part Number	Price £ea.	Description	Req.	Details
54	AEH575	£29.00	BRACKET, header tank	1	
55	GHF120	£0.19	SCREW	2	
56	GHF301	£0.10	WASHER, plain	2	
57	GHF332	£0.19	WASHER, locking	2	
58	SH505061	£0.42	SCREW	2	
59	GHF332	£0.19	WASHER, locking	2	
65	ADP605	NCA	PLUG	1	
66	6K705	NCA	WASHER, fibre	1	
67	AEH470	NCA	CONNECTION	1	
68	UHN305	£1.85	GREASE NIPPLE	1	
69	AEH463	NCA	GASKET	1	
70	GHF103	£0.42	SCREW	2	
71	GHF332	£0.19	WASHER, locking	2	
72	AEH466	£67.10	IMPELLER	1	
73	AEH465	£62.90	SPINDLE	1	
74	TPS508	NCA	PIN, taper	1	
75	AEB156	NCA	SEAL	1	
76	AEB151	NCA	CIRCLIP	1	
77	AEH523	£1.49	COLLAR	1	
78	AEH528	NCA	FELT SEALING RING, front	1	
79	AEH524	NCA	FELT SEALING RING, rear	1	
82	AEF136	£13.35	BEARING	2	
83	AEH467	£1.55	DISTANCE TUBE	1	
84	AEH529	NCA	CIRCLIP	1	
89	WKN404	£0.71	KEY, woodruff	1	
90	AEH472	£172.00	WATER PUMP, with pulley	1	
	AEH461/2	£392.50	WATER PUMP, with pulley & housing	1	
91	AEH530	NCA	WASHER, locking	1	
92	GHF201	£0.08	NUT	1	
93	AEH471	NCA	GASKET	1	
94	BH605221	£0.55	BOLT	1	
95	GHF332	£0.19	WASHER, locking	1	
96	GHF201	£0.08	NUT	1	
97	AEG129	£56.00	FAN BLADE	1	
98	SH604051	£0.19	SCREW	4	
99	GHF331	£0.12	WASHER, locking	4	
100	GCB10963	£6.15	BELT, fan	1	



ill. Part Number Price £ea. Description Req. Details

Thermostat & Water Pipes (Twin Cam)

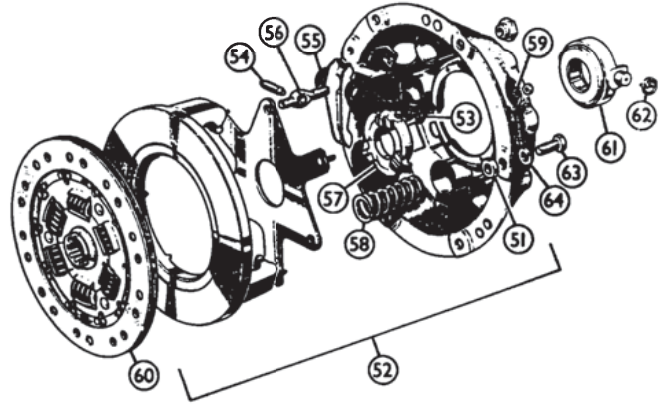
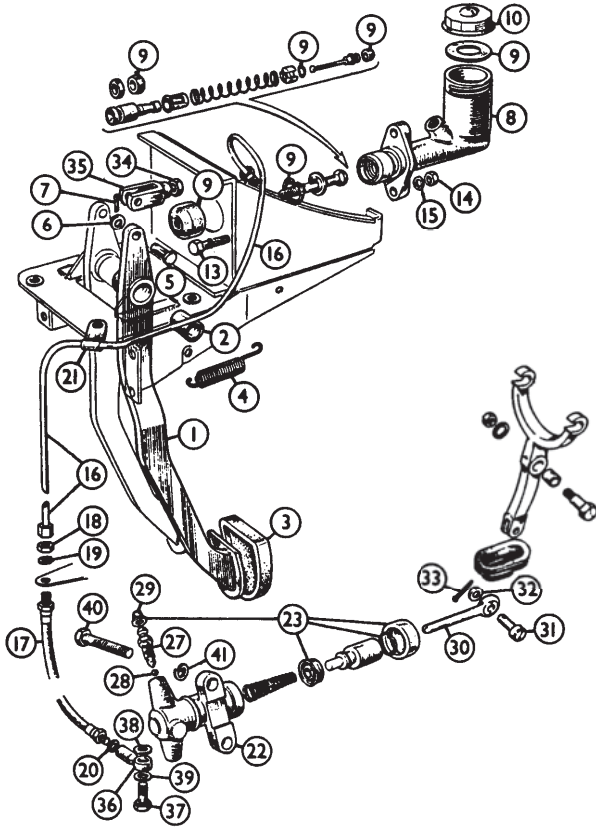
2	2K8982	NCA	PLUG	1
3	232043A	£0.71	WASHER, sealing	1
4	AEH468	£0.50	GASKET	1
5	GHF103	£0.42	SCREW	2
6	GHF301	£0.10	WASHER, plain	2
7	GHF332	£0.19	WASHER, locking	2
8	GHF163	£0.29	SCREW	1
9	GHF301	£0.10	WASHER, plain	1
10	GHF332	£0.19	WASHER, locking	1
11	AEH631	NCA	ELBOW, inlet	1
12	AEH423	NCA	GASKET	1
13	BH505141	£0.71	BOLT	2
14	GHF301	£0.10	WASHER, plain	2
15	GHF332	£0.19	WASHER, locking	2
16	AEH630	NCA	WATER PIPE	1
17	GRH392	NCA	HOSE	1
	GRH392X	£2.15	HOSE, silicone	1
18	CS4029	£1.60	HOSE CLIP, wire type	4
19	AEH393	NCA	PIPE, outlet	1
20	AEJ4	£0.94	WASHER, sealing	1
21	GTS102	£3.40	THERMOSTAT, 74°C	1
22	AEH477	£304.80	HOUSING, thermostat	1
23	AEH479	£105.35	COVER, top	1
24	AEH478	£0.60	GASKET	1
25	BH504141	£0.50	BOLT	1
26	SH504071	£0.29	SCREW	2
27	GHF300	£0.12	WASHER, plain	3
28	GHF331	£0.12	WASHER, locking	3
29	GHF103	£0.42	SCREW	2
30	GHF301	£0.10	WASHER, plain	2
31	GHF332	£0.19	WASHER, locking	2
32	GHF201	£0.08	NUT	2
33	GRH392	NCA	HOSE	1
34	CS4029	£1.60	HOSE CLIP, wire type	2
35	ADP610	NCA	PLUG	1
36	AEK123	£0.24	WASHER, sealing	1
37	AEH483	NCA	ADAPTOR, bypass	1
38	AEH491	£37.50	PIPE, bypass	1
39	AEH493	£6.80	HOSE	1
40	AEH494	£7.27	HOSE	1
41	GHC11020	£1.85	HOSE CLIP, (band type)	2
42	GHC11020	£1.85	HOSE CLIP, (band type)	2
43	PCR1009	£0.85	CLIP	1
44	AEH492	£4.84	BRACKET	1

ill. Part Number Price £ea. Description Req. Details

45	SH604041	£0.19	SCREW	1
46	GHF331	£0.12	WASHER, locking	1
47	GHF200	£0.12	NUT	1

Heater & Fittings (Twin Cam)

50	CRCP302	£2.20	PLATE, 'Smiths'	1
51	CRCP303	£2.75	PLATE, 'Caution'	1
52	37H7913	£50.00	HEATER MOTOR	1
53	17H1794	NCA	HEATER MATRIX, radiator	1
54	7H1993	£0.76	GROMMET	2
55	17H1595	£1.03	CLIP, side cover	4
56	515825	£10.13	FAN	1
60	27H1193	£1.40	CLAMP, cable	3
61	17H518	£9.00	PANEL, heater control	1
62	27H1208K	£4.70	BOLT & SPACER	2
63	7H1985	£29.00	LEVER & SWITCH	1
64	17H490	£3.60	KNOB, heater blower	1 with letter 'B'
65	AHH5786	NCA	CABLE, air control	1 less knob
66	AHH5787	NCA	CABLE, demister control	1
67	17H827	£3.60	KNOB, control cables	2
70	AHH5426	£13.00	TUBE, defroster	2
71	AHH5427	£7.51	AIR HOSE, 14", original type*	1
72	AHH5428	£10.85	AIR HOSE, 25", original type*	1
73	AHH5785	£33.00	AIR HOSE, 4" x 36", original type	1
(These hoses are supplied compressed in length and must be stretched to the correct length for installation).				
74	AHH5429	£4.74	ADAPTOR	2
75	14G800	£3.52	CLAMP, for 4" air hose	4
76	AHH5714	£2.30	CLAMP, for 4" air hose	3
80	27H1660	£46.20	VALVE, heater shut off	1
81	C9928A	£0.65	'O' RING, sealing	1
85	BHA4089	NCA	HOSE, inlet, 25"	1
86	AHH5437	£3.14	HOSE, outlet, 12 1/2"	1
	AHH5437X	£15.30	HOSE, outlet, 12 1/2", silicone	1
87	CS4012	£1.40	CLAMP, for hoses	4
88	BHA4091	NCA	CLIP, hose	1
89	AHH5843	£87.60	PIPE & UNION, inlet	1
90	AHH5844	£88.00	PIPE & UNION, outlet	1
91	BHA4088	NCA	WASHER, sealing	2
92	BHA4090	NCA	CLIP, pipe	2
95	24G1482K	£1.90	CABLE STOP & SCREW	4
96	BHH679	£3.50	CABLE, water valve	1
97	AHH5440	NCA	CLEAT, rubber	1
100	AHH5253	£5.05	SEAL, heater mounting	1



iii. Part Number Price £ea. Description Req. Details

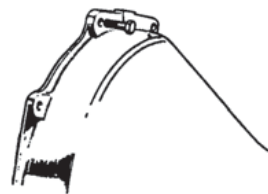
Clutch Controls (Twin Cam & De luxe)

1	AHH5694	NCA	CLUTCH PEDAL, RHD	1	
2	AAA4129	£3.50	BUSH	1	
3	AHH5100	£1.00	PEDAL RUBBER	1	
4	AAA1628	£1.10	SPRING, return	1	
5	CLZ515	£1.03	CLEVIS PIN	1	
6	GHF301	£0.10	WASHER, plain	1	
7	GHF501	£0.29	SPLIT PIN	1	
8	BHA4072Z	£54.90	CLUTCH MASTER CYLINDER	1	
9	GRK1029	£8.20	REPAIR KIT, master cylinder	1	
10	500201	£5.10	CAP, master cylinder	1	
	500201Z	£4.21	CAP, master cylinder, black	1	
13	SH605101	£0.60	SCREW	2	
14	GHF222	£0.42	NUT, locking	2	
15	GHF301	£0.10	WASHER, plain	2	
16	AHH5822	£14.40	CLUTCH PIPE, RHD	1	
	AHH5824	NCA	CLUTCH PIPE, LHD	1	
17	GBH178	£8.40	HOSE, clutch	1	standard
	GBH178Z	£4.20	HOSE, clutch	1	aftermarket
	TT3242	£35.60	HOSE, clutch, (stainless steel braided)	1	uprated
18	NT606041	£0.44	NUT	1	
19	GHF323	£0.12	WASHER, shakeproof	1	
20	3H550	£0.46	WASHER, sealing	1	
21	PCR411	£0.85	PIPE CLIP	1	
22	GSY111	£29.50	CLUTCH SLAVE CYLINDER	1	
23	GRK4017	£6.46	REPAIR KIT, clutch slave cylinder	1	
27	3H2428	£0.70	BLEED NIPPLE	1	
28	BLS106	£0.19	BALL, steel	1	
29	SMP100030	£0.37	DUST CAP	1	
30	1B3701	NCA	PUSH ROD	1	
31	2K5622	NCA	CLEVIS PIN	1	
32	GHF301	£0.10	WASHER, plain	1	
33	GHF501	£0.29	SPLIT PIN	1	
34	NT605041	£0.19	NUT	1	
35	FEZ105	NCA	FORK END	1	
36	3H868	£28.50	BANJO	1	
37	13H1984	£9.11	BANJO BOLT	1	
38	233220A	£0.55	WASHER, sealing	1	
39	3H550	£0.46	WASHER, sealing	1	
40	BH506121	£0.80	BOLT	2	
41	GHF333	£0.19	WASHER, locking	2	

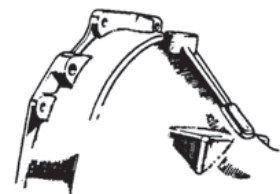
iii. Part Number Price £ea. Description Req. Details

Clutch (Twin Cam)

51	AEH650	NCA	DISTANCE WASHER	6	
52	27H3248E	NCA	CLUTCH COVER	1	reconditioned
53	038788A	NCA	SPRING, retaining	3	
54	042537A	NCA	PIN, lever	3	
55	231883A	NCA	SPRING, anti-rattle	3	
56	27H8347	NCA	EYE BOLT	3	
57	7H3213	NCA	PLATE, release lever	1	
58	7H3169	NCA	SPRING, pressure plate	6	
59	WE702101	£0.19	WASHER, shakeproof	3	
60	GCP132	£52.00	DRIVEN PLATE	1	
61	GRB103	£12.00	RELEASE BEARING	1	
62	7H3048	£1.03	RETAINER, bearing	2	
63	SH605071	£0.40	SCREW	6	
64	GHF332	£0.19	WASHER, locking	6	



Pushrod Engines



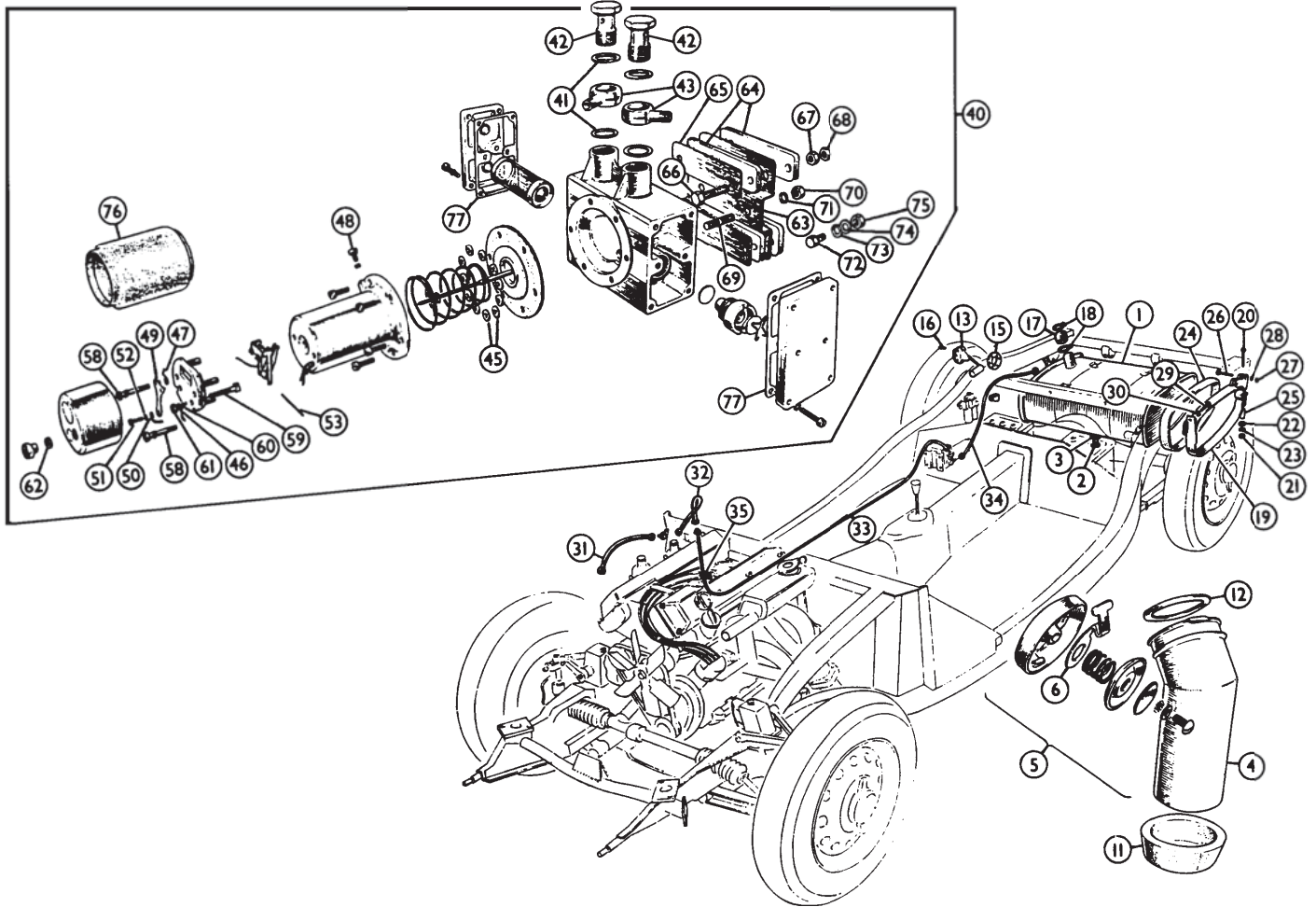
Twin Cam Engines

Gearbox (Twin Cam & De Luxe)

The twin Cam gearbox is internally identical to the standard (10 spline input shaft) MGA 1600cc gearbox. Externally the casing is of a modified pattern (see illustration above).

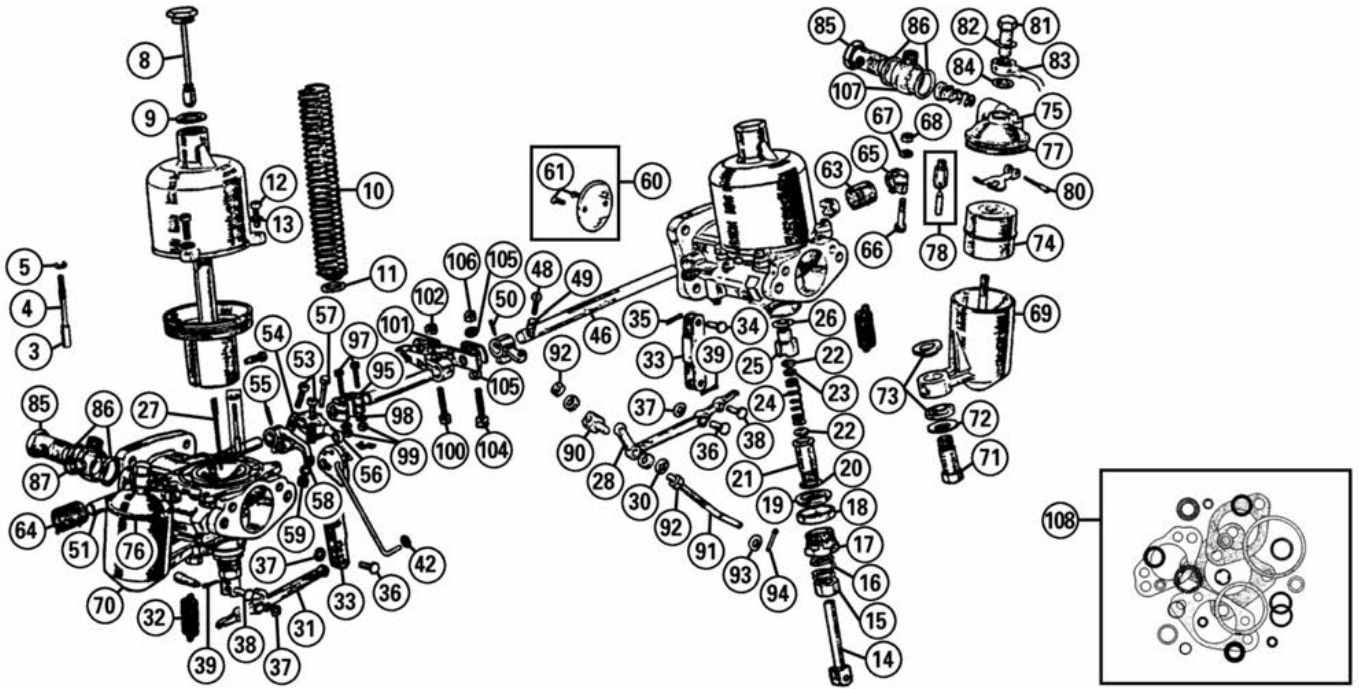
A De Luxe uses an entirely standard gearbox of either 10 or 23 spline design, depending on the time of vehicle manufacture.

Note: For clutch release arm details, please see page 11.



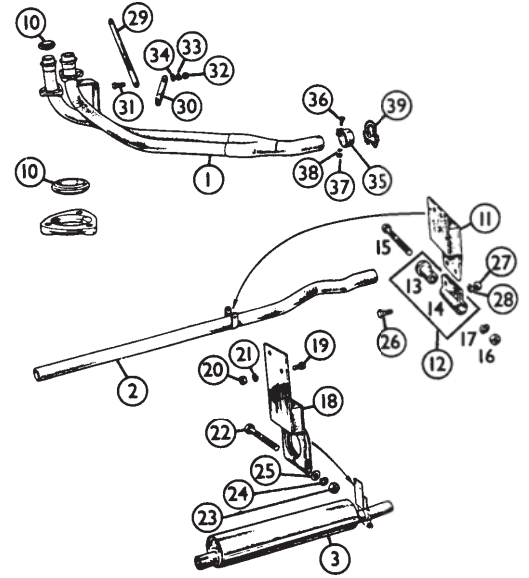
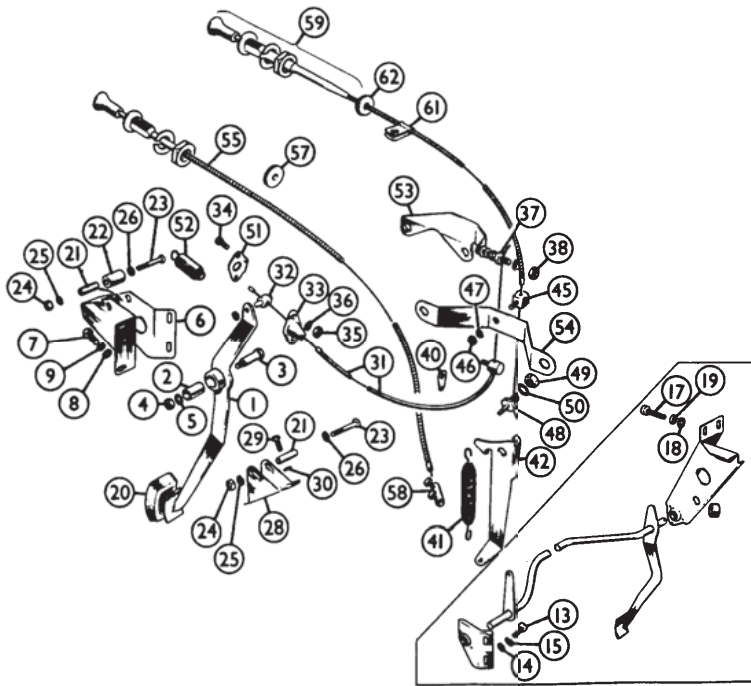
ill.	Part Number	Price £ea.	Description	Req.	Details
Fuel Supply (Twin Cam)					
1	AHH5121	£133.55	FUEL TANK, steel	1	
	AHH5121A	£457.00	FUEL TANK, aluminium	1	
NI	608591A	£30.50	SEALANT	1	
2	88G257	£1.60	DRAIN PLUG	1	
3	6K638	£0.22	WASHER, sealing	1	
4	AHH5104	£44.00	FILLER EXTENSION	1	
	470-852	£63.80	FILLER EXTENSION, alternative	1	allows fitting of locking fuel cap
5	ACH5781	£11.50	FILLER CAP	1	
6	97H474	£2.29	LEVER, cap	1	
11	ACH5850	£1.94	RING, sealing	1	
12	ACH5780	£2.98	FERRULE, rubber	1	
13	AHH5114	£38.20	TANK SENDER UNIT	1	original
	AAU8340	£26.40	TANK SENDER UNIT	1	replacement type
15	2H1082	£0.38	GASKET, cork	1	
16	53K165	£0.71	SCREW	6	
17	650279	£4.80	HOSE, connection	1	
18	CS4038	£1.85	HOSE CLIP, wire type	2	
19	AHH5107	£46.20	STRAP, tank attachment	2	
20	BH604221	£0.62	BOLT	2	
21	GHF221	£0.24	NUT, locking	2	
22	GHF300	£0.12	WASHER, plain	2	
23	GHF331	£0.12	WASHER, locking	2	
24	AHH5115	£4.37	PACKING	2	
25	AHH5113	£2.54	DISTANCE PIECE	2	
26	GHF118	£0.40	BOLT	2	
27	GHF200	£0.12	NUT	2	
28	GHF331	£0.12	WASHER, locking	2	
29	SH605051	£0.20	SCREW	2	
30	GHF332	£0.19	WASHER, locking	2	
31	ACH8977	£14.10	FUEL PIPE, flexible	1	carb to carb
32	AHH5544	£12.50	FUEL PIPE, flexible	1	
33	AHH5812	£34.70	FUEL PIPE, Main	1	
34	AHH5290	£15.00	FUEL PIPE, tank to pump	1	
35	PCR611	£0.85	PIPE CLIP	1	

ill.	Part Number	Price £ea.	Description	Req.	Details
Fuel Pump (Twin Cam)					
40	AZX1307	£110.00	FUEL PUMP	1	replacement type
41	AUC2141	£0.40	WASHER, sealing	4	
42	AUC2698	£2.90	BANJO BOLT	2	
43	AUC1833	£9.40	BANJO	2	
45	BZX1043	NCA	ROLLER	11	
46	AUA1455	NCA	TAG, terminal	1	
47	AUA1456	NCA	TAG, terminal	1	
48	AUA4850	NCA	SCREW, earth	1	
49	AUB6106A	£11.00	ROCKER & BLADE	1	
50	AUA1456	NCA	TAG, terminal	1	
51	AUA565	NCA	SCREW	1	
52	AUA566	NCA	WASHER, locking	1	
53	AUA1435	NCA	SPINDLE	1	
58	AUA1459	NCA	SCREW	2	
59	AUA1468	NCA	SCREW	1	
60	AUA1662	NCA	WASHER	1	
61	AUA1661	NCA	NUT	1	
62	311-255	£0.36	NUT, cover	1	
63	AHH5804	NCA	MOUNTING PLATE, pump	1	
64	AAA260	£2.15	MOUNTING RUBBER	4	
65	AAA261	£3.72	PLATE, retaining	2	
66	BH604091	£0.50	BOLT	4	
67	GHF200	£0.12	NUT	4	
68	JN2107	£0.19	NUT, locking	4	
69	53K2171	£1.03	STUD	2	
70	GHF201	£0.08	NUT	2	
71	GHF332	£0.19	WASHER, locking	2	
72	SH604041	£0.19	SCREW	1	
73	GHF300	£0.12	WASHER, plain	1	
74	GHF331	£0.12	WASHER, locking	1	
75	GHF200	£0.12	NUT	1	
76	ACG5147	£8.15	COVER, rubber	1	
77	AUA4646	NCA	GASKET, side cover	2	



Part Number	Price Eea.	Description	Req.	Details
Carburettors (Twin Cam)				
3 WZX1105	£6.00	LIFTING PIN	2	
4 AUC1151	£0.78	SPRING	2	
5 AUD4150	£0.78	CIRCLIP	2	
8 AUC8114A	£14.80	CAP, damper	2	
9 AUC2141	£0.40	CAP WASHER	2	
10 AUC4387	£6.70	PISTON SPRING, red	2	
11 AUC3071	£1.44	WASHER	2	
12 JZX1394	£0.50	SCREW	6	
13 WL700101	£0.12	WASHER, locking	6	
14 AUC8183	£10.74	JET	2	
15 AUC2121	£3.35	NUT, adjusting	2	
16 AUC2114	£1.64	SPRING	2	
17 AUC3232	£4.84	NUT	2	
18 AUC2117	£3.76	RING, sealing	2	
19 AUC2118	£0.60	RING, sealing	2	
20 AUC3233	£3.22	WASHER	2	
21 AUC3231	£6.90	BEARING, lower	2	
22 AUC2120	£0.94	WASHER, gland	4	
23 AUC2119	£1.85	WASHER, gland	4	
24 AUC1158	£2.84	SPRING, gland	2	
25 AUC3230	£11.70	BEARING, upper	2	
26 AUC2122	£0.53	WASHER, bearing	2	
27 AUD1291	£10.00	NEEDLE, rich	2	'RH'
AUD1276	£10.00	NEEDLE, standard	2	'OA6'
021-076	NCA	NEEDLE, weak	2	'OA7'
28 AUC5092	£10.60	LEVER, jet, front carburettor	1	
30 AUC5004	£0.66	WASHER, shakeproof	1	
31 AUC5091	£10.60	LEVER, jet, rear carburettor	1	
32 AUC4667	£4.27	SPRING, return	2	
33 AUC4819	£23.90	LINK	2	
34 AUC2381	£1.85	PIN, clevis	2	
35 GHF500	£0.12	SPLIT PIN	2	
36 AUC5009	£1.94	PIN	2	
37 AUC5004	£0.66	WASHER, shakeproof	2	
38 AUC2381	£1.85	PIN, clevis	2	
39 GHF500	£0.12	SPLIT PIN	2	
42 AUC5002	£0.71	WASHER, shakeproof	3	
46 AUC4765	NCA	SPINDLE, throttle, front	1	
48 AUC3464	£0.80	SCREW	1	
49 AUC3465	£1.10	SPRING	1	
50 AUC2106	NCA	PIN	1	
51 AUC4765	NCA	SPINDLE, throttle, rear	1	
53 AUC3464	£0.80	SCREW	2	
54 AUC3465	£1.10	SPRING	2	
55 AUC2106	NCA	PIN	1	
56 AUE180	£10.90	LEVER, throttle	1	
57 AUC2694	£0.55	BOLT	1	
58 WL700101	£0.12	WASHER, locking	1	

Part Number	Price Eea.	Description	Req.	Details
59 AJD8012Z	£0.14	NUT	1	
60 WZX1321	£10.50	THROTTLE DISC KIT	2	
61 AUC1358	£0.72	SCREW	4	
63 AUC4782	£6.60	SPRING, return, front	1	
64 AUC4781	£6.60	SPRING, return, rear	1	
65 AUC4771	£9.67	SPRING CLIP	2	
66 AUC2669	£0.94	BOLT	2	
67 PWZ102	£0.12	WASHER	2	
68 AJD8014Z	£0.19	NUT	2	
69 AUC3495	£139.20	FLOAT CHAMBER, front	1	
70 AUC3496	£139.20	FLOAT CHAMBER, rear	1	
71 AUC1335	£8.15	BANJO BOLT	2	
72 AUC1337	£3.72	WASHER, dished	2	
73 AUC1534	£1.20	GROMMET	4	
74 WZX1303	£14.40	FLOAT	2	
75 AUE479	£54.50	FLOAT LID, front	1	
76 AUE478	£54.50	FLOAT LID, rear	1	
77 AUC1147A	£1.03	WASHER, lid	2	
78 WZX1101A	£9.00	NEEDLE & SEAT	2	standard
GAC9201X	£9.50	GROSE JET	2	uprated (Superior replacement for original style needle & seat).
80 AUC1152	£0.60	PIN	2	
81 AUC1867X	£4.88	BANJO BOLT	2	
82 AUC1557	£0.82	WASHER	2	
83 AUC1866	£13.05	PIPE, drain	2	
84 AUC1928	£1.55	WASHER, fibre	2	
85 AUC2698	£2.90	BANJO BOLT	2	
86 AUC2141	£0.40	WASHER, sealing	4	
87 AUC1832	£13.80	DOUBLE BANJO	1	
88 AUC2139	£4.42	FILTER	2	
WZX996	£11.00	TRUNNION	1	inc. items 90, 91 & 92
90 AUC4916	£5.70	TRUNNION	1	
91 AUC4915	£5.80	ROD, link	1	
92 AJD8012Z	£0.14	NUT	2	
93 AUC8396	£0.40	WASHER, brass	1	
94 GHF500	£0.12	SPLIT PIN	1	
95 AUE75	£16.20	COUPLING	1	
97 AUC2669	£0.94	BOLT	2	
98 PWZ102	£0.12	WASHER	2	
99 AJD8014Z	£0.19	NUT	2	
100 AUC2694	£0.55	BOLT	1	
101 WL700101	£0.12	WASHER, locking	1	
102 AJD8012Z	£0.14	NUT	1	
104 AUC8400	NCA	BOLT	1	
105 AUC8396	£0.40	WASHER, plain	2	
106 AJD8012Z	£0.14	NUT	1	
107 AUC1833	£9.40	SINGLE BANJO	1	
108 AUE801A	£11.50	GASKET & SEAL KIT	2	services one carburettor
GAC2103X	NCA	OVERHAUL KIT	2	services one carburettor, needle not included
CRK210	£58.80	OVERHAUL KIT	2	alternative



ill. Part Number Price £ea. Description Req. Details

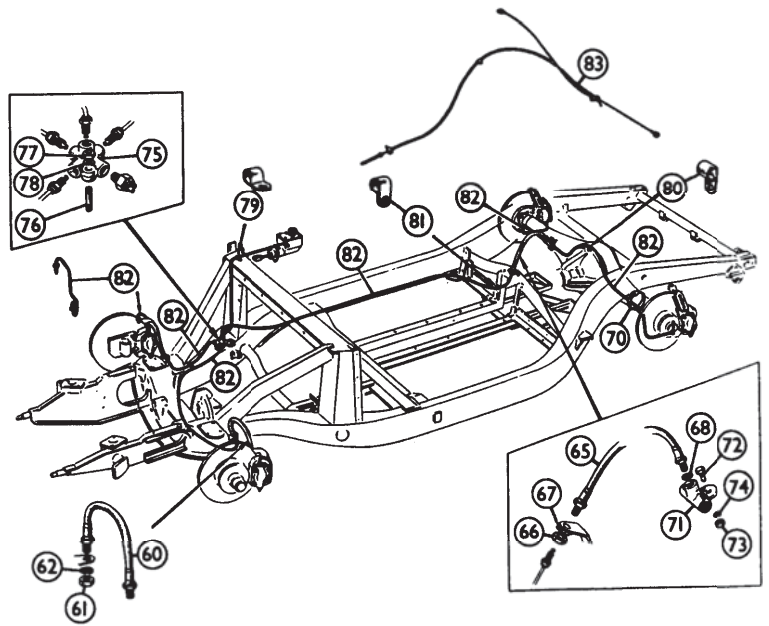
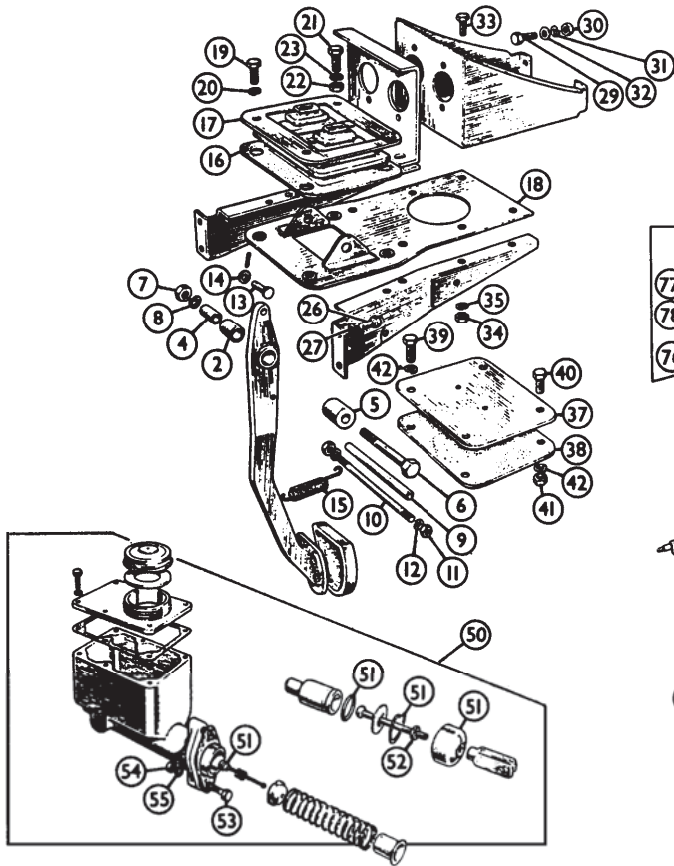
Engine Controls (Twin Cam)

ill.	Part Number	Price £ea.	Description	Req.	Details
1	AHH5300	£38.80	ACCELERATOR PEDAL	1	RHD
2	AHH5301	£2.20	BUSH	1	
3	AHH5306	£3.82	FULCRUM PIN	1	
4	GHF201	£0.08	NUT	1	
5	GHF332	£0.19	WASHER, locking	1	
6	AHH5302	£30.20	BRACKET	1	
7	SH604051	£0.19	SCREW	4	
8	GHF300	£0.12	WASHER, plain	4	
9	GHF331	£0.12	WASHER, locking	4	
13	SH604051	£0.19	SCREW	2	
14	GHF300	£0.12	WASHER, plain	2	
15	GHF331	£0.12	WASHER, locking	2	
17	SH604051	£0.19	SCREW	3	
18	GHF300	£0.12	WASHER, plain	3	
19	GHF331	£0.12	WASHER, locking	3	
20	GPR105A	£0.98	PAD, pedal	1	
21	AHH5303	£3.14	DISTANCE TUBE	2	
22	AHH5304	£2.20	STOP, pedal	1	
23	SE604121	£0.82	SCREW	2	
24	GHF200	£0.12	NUT	2	
25	GHF331	£0.12	WASHER, locking	2	
26	GHF300	£0.12	WASHER, plain	2	
28	AHH5380	£10.94	STOP, adjustable	1	
29	SH604051	£0.19	SCREW	2	
30	GHF331	£0.12	WASHER, locking	2	
31	AHH5830	NCA	CABLE, accelerator	1	
32	ACA5289	£5.00	TEE BARREL	1	
33	AHH5308	£4.43	GUIDE, cable	1	
34	PMZ308	£0.18	SCREW	1	
35	GHF206	£0.08	NUT	2	
36	WL700101	£0.12	WASHER, locking	2	
37	ACC5062	£1.75	PIN, clamp plate	1	
38	GHF200	£0.12	NUT	1	
40	12A4	£1.60	BRACKET, return spring	1	
41	AHH5621	£4.21	RETURN SPRING	1	
42	AHH5829	£16.00	BRACKET, anchor	1	
45	ACH5112	£7.80	ABUTMENT	1	
46	GHF206	£0.08	NUT	1	
47	WL700101	£0.12	WASHER, locking	1	
48	ACC5062	£1.75	PIN, cable clamp	1	
49	GHF200	£0.12	NUT	1	
50	GHF300	£0.12	WASHER, plain	1	
51	AHH5623	£13.25	BRACKET, pull-off spring	1	
52	AHH5624	£5.60	SPRING, (pull-off)	1	
53	AHH5827	£12.00	BRACKET, accelerator	1	
54	AHH5828	£12.00	BRACKET, choke cable	1	
55	AHH5327	£9.50	STARTER CABLE	1	RHD models
	AHH5330	£12.00	STARTER CABLE	1	LHD models

ill. Part Number Price £ea. Description Req. Details

57	RFR103	£1.60	GROMMET	1	
58	3H950	£10.00	COUPLING	1	
59	BHA4084	£17.65	CHOKE CABLE	1	RHD models
	BHA4085	NCA	CHOKE CABLE	1	LHD models
61	PCR311	£0.85	CLIP, cable	1	
62	RFR103	£1.60	GROMMET, dash	1	

Exhaust System (Twin Cam)					
ill.	Part Number	Price £ea.	Description	Req.	Details
NI	FSMGATC	£246.20	EXHAUST SYSTEM, stainless steel	1	comprises items 1, 2 & 3
1	FSMG4	£113.80	FRONT PIPE	1	stainless steel
2	FSMG5	£44.00	INTERMEDIATE PIPE	1	
3	FSMG6	£104.40	SILENCER BOX	1	
10	GEX7196	£3.00	OLIVE, sealing	2	
11	GEX7204	£2.40	MOUNTING, intermediate	1	
12	GEX7182K	£2.80	BUSH & CLIP KIT	1	
13	GEX7182	£4.21	BUSH	2	
14	GEX7183	£1.55	HOUSING	1	
15	BH605221	£0.55	BOLT	1	
16	GHF201	£0.08	NUT	1	
17	GHF332	£0.19	WASHER, locking	1	
18	GEX7188	£5.80	MOUNTING, rear	1	for replacement exhaust
19	SH604041	£0.19	SCREW	4	
20	GHF200	£0.12	NUT	4	
21	GHF331	£0.12	WASHER, locking	4	
22	BH604221	£0.62	BOLT	1	
23	GHF200	£0.12	NUT	1	
24	GHF331	£0.12	WASHER, locking	1	
25	GHF300	£0.12	WASHER, plain	2	
26	SH604041	£0.19	SCREW	2	
27	GHF200	£0.12	NUT	2	
28	GHF331	£0.12	WASHER, locking	2	
29	GEX7185	£8.15	STRAP, upper front mounting	1	
30	GEX7194	£1.10	STRAP, lower front mounting	1	
31	SH605051	£0.20	SCREW	1	
32	GHF201	£0.08	NUT	1	
33	GHF332	£0.19	WASHER, locking	1	
34	GHF301	£0.10	WASHER, plain	1	
35	TT9934S	£2.50	EXHAUST CLAMP	1	
36	GHF103	£0.42	SCREW	1	
37	GHF201	£0.08	NUT	1	
38	GHF332	£0.19	WASHER, locking	1	
39	GEX9009	£0.80	EXHAUST CLAMP	1	alternative to items 35-38



ill. Part Number Price £ea. Description Req. Details

Pedal Box (Twin Cam & De luxe)

1	AHH5693	NCA	BRAKE PEDAL	1	RHD
2	AAA4129	£3.50	BUSH	1	
3	AHH5100	£1.00	PEDAL RUBBER	1	
4	AHH7201	£2.98	DISTANCE PIECE	2	
5	AHH5728	£1.49	SPACER, pedal	1	
6	BH606281	£1.10	BOLT	1	
7	GHF202	£0.12	NUT	1	
8	GHF333	£0.19	WASHER, locking	1	
9	AHH5692	NCA	DISTANCE TUBE	1	
10	AHH5762	NCA	TUBE ROD	1	
11	GHF200	£0.12	NUT	2	
12	GHF331	£0.12	WASHER, locking	2	
13	CLZ515	£1.03	CLEVIS PIN	1	
14	GHF301	£0.10	WASHER, plain	1	
15	AAA1628	£1.10	SPRING, pull-off	1	
16	AHH5689	£24.50	DRAUGHT EXCLUDER, pedals	1	
17	AHH5688	£17.60	PLATE, retaining	1	
18	AHH5687	NCA	PLATE, base	1	
19	GHF103	£0.42	SCREW	2	
20	GHF332	£0.19	WASHER, locking	2	
21	GHF120	£0.19	SCREW	2	
22	GHF201	£0.08	NUT	2	
23	GHF332	£0.19	WASHER, locking	2	
26	SH605051	£0.20	SCREW	4	
27	GHF332	£0.19	WASHER, locking	4	
29	GHF120	£0.19	SCREW	2	
30	GHF201	£0.08	NUT	2	
31	GHF301	£0.10	WASHER, plain	2	
32	GHF332	£0.19	WASHER, locking	2	
33	GHF120	£0.19	SCREW	6	
34	GHF201	£0.08	NUT	6	
35	GHF332	£0.19	WASHER, locking	6	
37	AHH5753	£14.00	PLATE, blanking	1	
38	AHH5754	NCA	SEAL, blanking plate	1	
39	GHF103	£0.42	SCREW	2	
40	GHF120	£0.19	SCREW	2	
41	GHF201	£0.08	NUT	2	
42	GHF332	£0.19	WASHER, locking	4	

ill. Part Number Price £ea. Description Req. Details

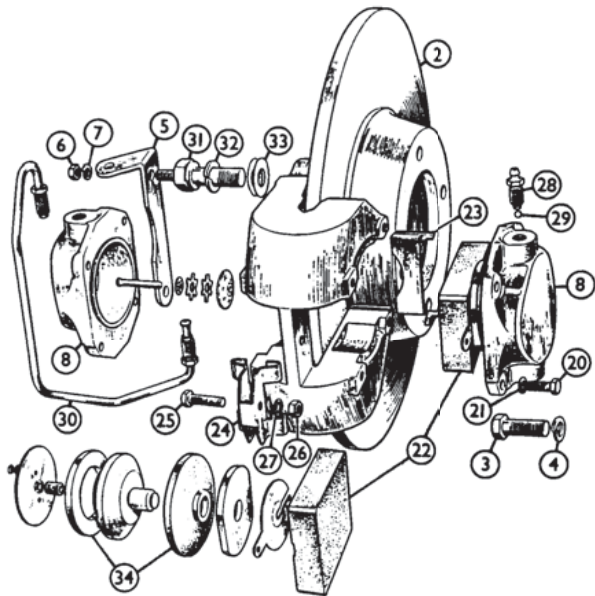
Brake Master Cylinder (Twin Cam & De luxe)

50	BHA4071E	NCA	BRAKE MASTER CYLINDER, Dunlop	1	original reconditioned
	BHA4157	£178.60	BRAKE MASTER CYLINDER, Girling	1	alternative replacement
51	8G8495Z	£8.34	REPAIR KIT, master cylinder	1	for original Dunlop cylinder
52	NT605041	£0.19	NUT, locking	1	
53	SH605101	£0.60	SCREW	2	
54	GHF222	£0.42	NUT, locking	2	
55	GHF301	£0.10	WASHER, plain	2	

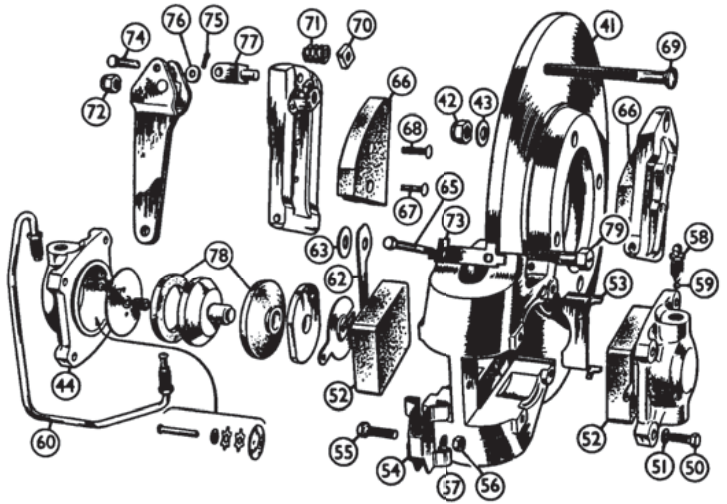
Brake Pipes & Handbrake Cable (Twin Cam & De luxe)

60	GBH165	£14.70	BRAKE HOSE, front	2	
61	NT606041	£0.44	NUT, locking	4	
62	GHF333	£0.19	WASHER, locking	4	
65	GBH104	£12.00	HOSE, rear brake	2	
	GBH104Z	£10.70	HOSE, rear brake, aftermarket	2	
66	2K8686	£1.00	NUT, locking	1	
67	WE600101	£0.34	WASHER, shakeproof	1	
68	233220A	£0.55	WASHER, sealing	1	
70	ACH8650	£1.90	STRAP, pipe to axle	1	
71	AHH5772	£9.32	CONNECTION, 3-way	1	
72	GHF101	£0.19	SCREW	1	
73	GHF200	£0.12	NUT	1	
74	GHF331	£0.12	WASHER, locking	1	
75	279412K	£29.60	CONNECTION, 5-way	1	
76	FHS2412	NCA	STUD	1	
77	GHF200	£0.12	NUT	1	
78	GHF331	£0.12	WASHER, locking	1	
79	PCR311	£0.85	PIPE CLIP	1	
80	PCR311	£0.85	PIPE CLIP	1	
81	PCR307	£0.85	PIPE CLIP	1	
82	GB5051	£96.71	COPPER BRAKE PIPE SET	1	RHD
	GB5051L	£126.94	COPPER BRAKE PIPE SET	1	LHD
83	AHH5761	£21.80	CABLE ASSEMBLY, handbrake	1	

Note: For other handbrake components, see page 23.



Front Brakes



Rear Brakes

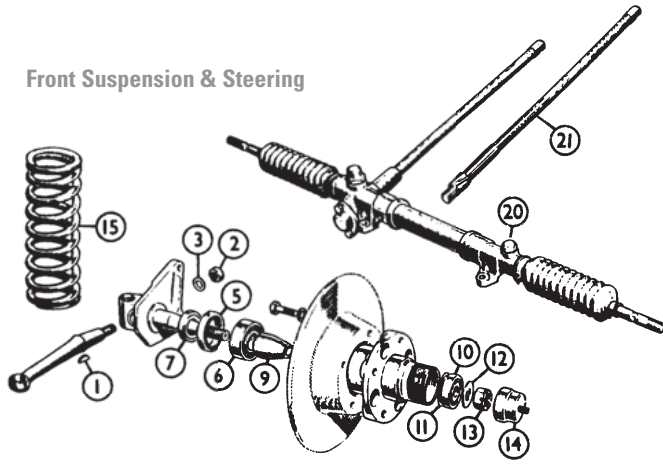
ill.	Part Number	Price £ea.	Description	Req.	Details
Front Brakes (Twin Cam & De luxe)					
	BTB134E	NCA	FRONT CALIPER, RH	1	} reconditioned
	BTB135E	NCA	FRONT CALIPER, LH	1	
2	ATB4244	£41.50	BRAKE DISC	2	
3	ATB4247	£4.05	BOLT, brake disc	8	
4	GHF334	£0.24	WASHER, locking	8	
5	ATB4256	NCA	BRACKET, hose, RH	1	
	ATB4257	NCA	BRACKET, hose, LH	1	
6	GHF201	£0.08	NUT	4	
7	GHF332	£0.19	WASHER, locking	4	
8	8777	£129.50	CYLINDER & PISTON	4	
20	7H8206	£1.44	BOLT, cylinder	16	
21	GHF321	£0.12	WASHER, shakeproof	16	
22	GBP254	£28.85	DISC PAD SET	1	
23	7H8202	NCA	SUPPORT PLATE	4	
24	7H8203	£5.90	KEEP PLATE	2	
25	SH604071	£0.34	SCREW	2	
26	GHF200	£0.12	NUT	2	
27	GHF321	£0.12	WASHER, shakeproof	2	
28	006911	£4.20	BLEED NIPPLE	2	
29	BLS106	£0.19	BALL, steel	2	
30	ACH5305	£7.22	BRIDGE PIPE	1	
31	ATB4255	£13.75	BOLT, caliper mounting	4	
32	GHF335	£0.24	WASHER, locking	4	
33	ATB4251	NCA	SHIM, 0.003"	a/r	
	ATB4252	NCA	SHIM, 0.005"	a/r	
	ATB4253	£0.50	SHIM, 0.020"	a/r	
34	8G8194	£65.80	REPAIR KIT, caliper	1	axle set

Rear Brakes (Twin Cam & De luxe)

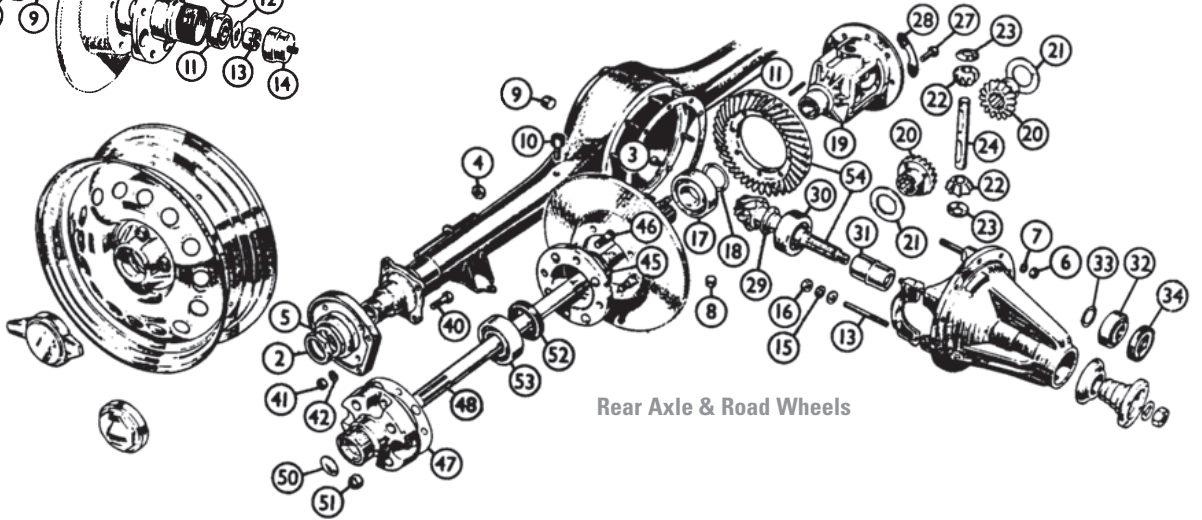
	7H8258E	NCA	REAR CALIPER, RH	1	} reconditioned
	7H8259E	NCA	REAR CALIPER, LH	1	
41	ATB7254	£58.00	BRAKE DISC	2	
42	GHF243	£0.76	PINNACLE NUT	8	
43	GHF302	£0.30	WASHER, plain	8	
44	8816	£174.00	CYLINDER & PISTON	4	
50	7H8206	£1.44	BOLT, cylinder	16	
51	GHF321	£0.12	WASHER, shakeproof	16	

ill.	Part Number	Price £ea.	Description	Req.	Details
52	GBP254	£28.85	DISC PAD SET	1	
53	7H8202	NCA	SUPPORT PLATE	4	
54	7H8203	£5.90	KEEP PLATE	2	
55	SH604071	£0.34	SCREW	2	
56	GHF200	£0.12	NUT	2	
57	GHF321	£0.12	WASHER, shakeproof	2	
58	006911	£4.20	BLEED NIPPLE	2	
59	BLS106	£0.19	BALL, steel	2	
60	ACH5305	£7.22	BRIDGE PIPE	1	
62	ATB7259	£3.55	LOCK PLATE	2	
63	ATB7262	NCA	SHIM, 0.003"	a/r	
	ATB7263	NCA	SHIM, 0.005"	a/r	
	ATB7264	NCA	SHIM, 0.020"	a/r	
65	7H8245	£4.05	BOLT, pivoting	4	handbrake pad carrier
66	8G8197	£102.35	BRAKE PAD SET, handbrake	1	axle set
67	7H8250	NCA	RIVET, short	2	
68	7H8251	NCA	RIVET, long	2	
69	7H8241	£4.26	BOLT, adjustment	2	
70	7H8241A	NCA	NUT, square	2	
71	7H8241Z	NCA	SPRING	2	
72	LNZ105	£0.58	NUT, locking	2	
73	008014	£2.20	WASHER, tab	2	
74	7H8244	£1.03	CLEVIS PIN	2	
75	GHF500	£0.12	SPLIT PIN	2	
76	GHF300	£0.12	WASHER, plain	2	
77	7H8245	£4.05	BOLT, pivot	4	
78	SP2555Z	£22.90	REPAIR KIT, caliper	1	axle set
79	ATB4247	£4.05	BOLT, mounting caliper to axle	4	

Front Suspension & Steering



Rear Axle & Road Wheels



ill.	Part Number	Price £ea.	Description	Req.	Details
Front Suspension & Steering (Twin Cam & De luxe)					
1	WKN506	£0.76	KEY, woodruff	2	
2	GHF226	£1.03	NUT, locking	2	
3	PWZ110	£0.48	WASHER, plain	2	
5	GHS211	£2.00	OIL SEAL	2	
6	GHB105	£14.05	BEARING, inner	2	
	GHB105Z	£8.10	BEARING, inner	2	aftermarket
7	ATB4243	NCA	COLLAR	2	
9	88G484	£8.20	SPACER, bearing	2	
10	GHB102	£14.05	BEARING, outer	2	
11	ATB4240	£0.44	SHIM, 0.003"	a/r	
	ATB4241	£0.44	SHIM, 0.005"	a/r	
	ATB4242	£0.44	SHIM, 0.010"	a/r	
12	1A4742	£0.98	WASHER, retaining	2	
13	53K330	£4.06	NUT, castle head	2	
14	BTC392	£3.20	GREASE CUP	2	
15	AHH5789PR	£87.60	ROAD SPRING SET, front, pair (Silicon chrome)	1	Twin Cam

Note: For all other front suspension components see page 25, and for all other rear suspension components see page 26.

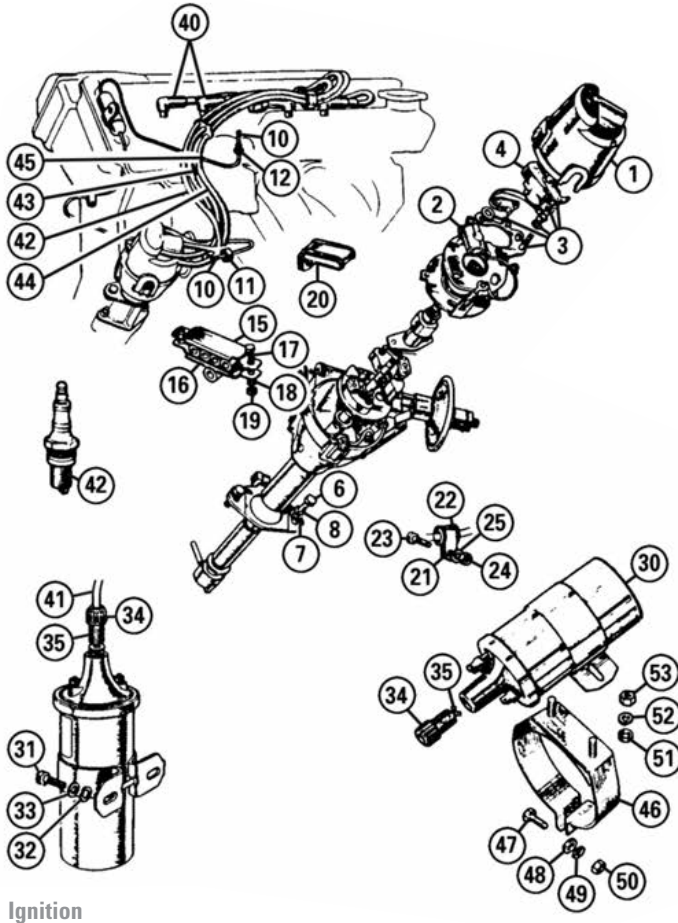
20	AHH6038E	£84.35	STEERING RACK, RHD	1	reconditioned
	AHH6039E	£84.35	STEERING RACK, LHD	1	
21	AHH6036	NCA	STEERING PINION, RHD	1	

Note: For all other steering rack components, please see page 24.

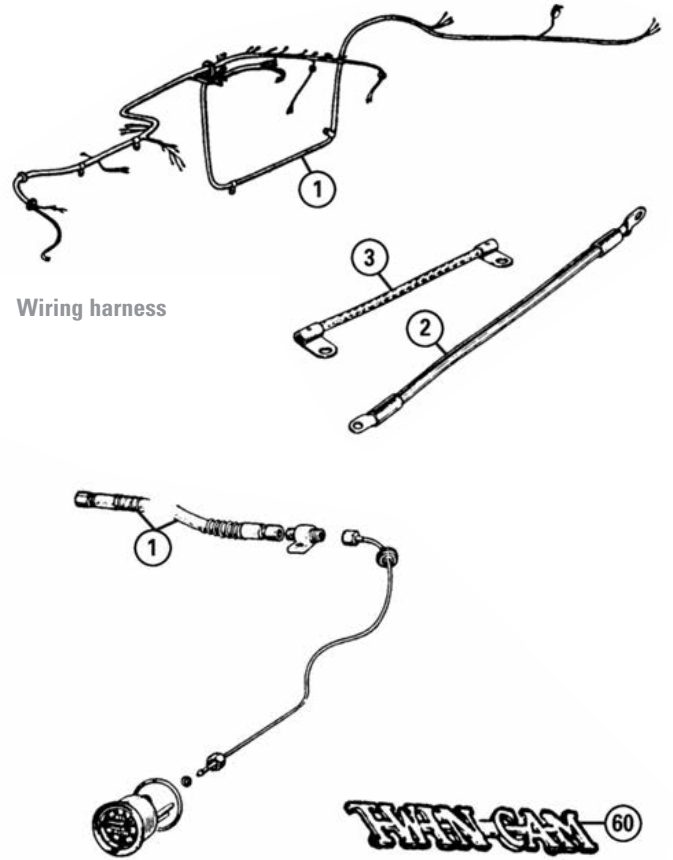
Rear Axle & Road Wheels (Twin Cam & De luxe)

2	1G7448	£11.00	NUT, RH thread	1
	1G7582	£12.00	NUT, LH thread	1
3	2A7226	NCA	STUD	10
4	GHF202	£0.12	NUT	2
5	1G7584	£1.75	WASHER, locking	2
6	GHF201	£0.08	NUT	10
7	GHF332	£0.19	WASHER, locking	10
8	6K499	£1.90	DRAIN PLUG	1
9	6K499	£1.90	FILLER PLUG	1
10	21H6060	£3.50	BREATHER	1
11	1G7465	£0.80	GASKET	1
13	51K886	£3.55	STUD	4
15	GHF334	£0.24	WASHER, locking	4

ill.	Part Number	Price £ea.	Description	Req.	Details
16	GHF203	£0.19	NUT	4	
17	CHM163	£22.00	BEARING	2	
18	2K7993	£1.55	SHIM, 0.002"	a/r	
	ATB7239	£1.55	SHIM, 0.003"	a/r	
	1G7600	£1.55	SHIM, 0.010"	a/r	
19	BTB328	£76.10	CAGE, differential	1	
20	BTB150	NCA	WHEEL, differential	2	from Chassis no. 2371
21	ATB7072	£1.90	THRUST WASHER	2	
22	ATB7123	NCA	PINION, differential	2	
23	1G7445	£2.00	THRUST WASHER	2	
24	1G7444	£22.55	PIN, pinion	1	
27	ATA7043	£0.94	BOLT	8	
28	6K875	£2.05	WASHER, locking	4	
29	ATB7064	£6.90	THRUST WASHER, 0.126"	a/r	
	ATB7065	£6.90	THRUST WASHER, 0.124"	a/r	
	ATB7066	£18.95	THRUST WASHER, 0.122"	a/r	
	ATB7067	£6.90	THRUST WASHER, 0.120"	a/r	
	ATB7068	£6.90	THRUST WASHER, 0.118"	a/r	
	ATB7069	£6.90	THRUST WASHER, 0.116"	a/r	
	ATB7070	£18.65	THRUST WASHER, 0.114"	a/r	
	ATB7071	£18.65	THRUST WASHER, 0.112"	a/r	
30	100897A	£25.00	BEARING, inner	1	
31	1B7240	£31.65	SPACER, bearing	1	
32	2A7213	£22.00	BEARING, outer	1	
33	ATB7102	£1.03	SHIM, 0.004"	a/r	
	ATB7103	£2.50	SHIM, 0.006"	a/r	
	ATB7106	£1.33	SHIM, 0.012"	a/r	
	ATB7107	£1.24	SHIM, 0.020"	a/r	
	ATB7108	£1.10	SHIM, 0.030"	a/r	
34	88G320	£3.00	OIL SEAL	1	
40	ATB7258	NCA	BOLT	8	
41	GHF202	£0.12	NUT	8	
42	GHF333	£0.19	WASHER, locking	8	
45	ATB7248	NCA	STUD, disc plate to housing	8	
46	ATB7249	NCA	STUD, extension to housing	8	
47	ATB7255	NCA	GASKET, hub	2	
48	ATB7206	£157.50	AXLE SHAFT, 10 spline	2	
	ATB7386	£157.50	AXLE SHAFT, 26 spline	2	
	BTB153	£123.31	AXLE SHAFT, 25 spline	2	
50	2K8160	£0.62	PLUG, welch	2	
51	GHF244	£1.99	NUT, pinnacle	8	
52	GHS211	£2.00	OIL SEAL	2	
53	GHB127	£25.50	BEARING, hub	2	
54	88G283	£395.00	GEAR SET, 10/43 (4.300:1)	1	



Ignition



Wiring harness

Oil Pressure Gauge

Ill.	Part Number	Price £ea.	Description	Req.	Details
Ignition (Twin Cam & De Luxe)					
1	GDC102	£10.20	DISTRIBUTOR CAP	1	Twin Cam only
2	GSC111	£1.90	CONDENSER	1	
3	GCS107	£2.30	CONTACT SET, original type	1	
	GCS2101	£2.30	CONTACT SET, one piece type	1	
4	GRA2101	£1.80	ROTOR ARM	1	
	GRA2101HQ	£7.50	ROTOR ARM, high quality	1	
6	SH504061	£0.19	SET SCREW	2	
7	GHF300	£0.12	WASHER, plain	2	
8	GHF331	£0.12	WASHER, locking	2	
10	6K649	£0.60	OLIVE	2	
11	2A459	£3.20	NUT	1	Twin Cam when vacuum advance is fitted
12	6K650	£3.25	NUT	1	
15	11B282	NCA	CABLE CLAMP, upper	1	Twin Cam only
16	AEH624	£50.70	CABLE CLAMP, lower	1	
17	SH604051	£0.19	SET SCREW	2	
18	GHF332	£0.19	WASHER, locking	2	
19	GHF200	£0.12	NUT	2	
20	AEH627	£17.00	CABLE CLIP	2	
21	PCR809	£0.85	CABLE CLIP	1	
22	ACH8529	£1.20	RUBBER SLEEVE	1	
23	SH604051	£0.19	SET SCREW	1	
24	GHF200	£0.12	NUT	1	
25	GHF331	£0.12	WASHER, locking	1	
30	GCL101	£13.00	IGNITION COIL, screw-in type	1	push-in HT connector
	TT2981	£19.30	SPORTS COIL	1	
31	SH605051	£0.20	SET SCREW	2	Twin Cam only
32	GHF301	£0.10	WASHER, plain	2	
33	GHF332	£0.19	WASHER, locking	2	
34	105036	£1.55	NUT, coil lead	1	
35	214279A	£0.22	WASHER, copper	1	
40	3H1422	£6.00	SUPPRESSOR CAP	4	
41	AAA5981M	£2.90	HT LEAD	5	
42	BP7ES	£3.71	SPARK PLUG, standard	4	
	BP6ES	£3.00	SPARK PLUG, fast road	4	

Ill.	Part Number	Price £ea.	Description	Req.	Details
46	1G2620	£12.23	BRACKET, coil mounting	1	De Luxe only
47	SH604161	£0.44	SCREW, clamp	1	
48	PWZ204	£0.12	WASHER, plain	2	
49	GHF331	£0.12	WASHER, locking	1	
50	GHF200	£0.12	NUT	1	
51	PWZ205	£0.19	WASHER, plain	2	
52	GHF332	£0.19	WASHER, locking	2	
53	GHF201	£0.08	NUT	2	
	GHT102X	£41.20	HT LEAD SET, (original)	1	
	GHT102Z	£8.56	HT LEAD SET, push on type	1	
	3H1422	£6.00	SUPPRESSOR CAP, (for AAA5981M)	4	

Wiring Harness (Twin Cam & De Luxe)

1	ML596	£202.00	HARNES, complete, cloth covered	1	Twin Cam to chassis no 2192
	ML597	£202.00	HARNES, complete, cloth covered	1	
2	BHA4133	£10.90	CABLE, starter switch to starter	1	Twin Cam and De Luxe
3	2K6167	£8.70	STRAP, engine earth	1	

Oil Pressure Gauge (Twin Cam & De Luxe)

1	AHH5820	£8.10	HOSE, flexible, oil pressure	1	Twin Cam and De Luxe
---	---------	-------	------------------------------	---	----------------------

Body & Badges (Twin Cam & De Luxe)

	AFH5472	NCA	BULKHEAD	1	Twin Cam & De Luxe
	AFH4893	£109.07	PANEL, radiator duct	1	Twin Cam
	AFH5844	£69.00	PANEL, front wheel arch, RH*	1	Twin Cam only (inspection)
	AFH5845	£69.00	PANEL, front wheel arch, LH*	1	

*Note: Twin Cam wheel arches are not available; please use standard wheel arches (see page 40) and modify to accept the inspection panels. Body panels not unique to the Twin Cam models may be found in the Body Panels section, pages 40 to 42. Chassis refurbishment is also available, see page 39.

HT lead is sold by the metre length, but curiously the measurements for each lead is given here in imperial inches. The coil to distributor is lead is 17" length. The leads from distributor to plugs are as follows: No.1 = 27", No.2 = 28 1/2", No.3 = 32", No.4 = 33".

	AHH5177K	£58.40	PACKING SET, complete	1	body to chassis
60	AHH5729Z	£14.05	MOTIF, 'Twin Cam'	3	

Ordering Information

Notification of prices

Due to the volatility of world markets and currency fluctuations the prices in this catalogue are subject to change. Moss make every attempt to keep prices competitive and stable, however in common with all other suppliers in our industry, we reserve the right to alter these prices without prior notice.

For the latest prices, please visit our website www.moss-europe.co.uk. All prices are per unit (unless otherwise stated) and include (UK) VAT at 20% (where applicable) and are correct at the time of going to print. Postage and packaging is not included. E&COE. Where the price is replaced with the word "NCA" this part is no longer stocked. Please call our sales staff as we may be able to assist you in locating the part or a suitable replacement part.

Product supersessions

Moss Europe's policy is to detail the most up to date part information in our catalogues. Where possible parts are kept to original specification. However, in some instances we have to supersede to the most viable alternative product to maintain supply and keep cars on the road. Every effort is made to ensure high quality products.

UK ordering

We accept orders by mail, telephone, e-mail, fax and on-line at www.moss-europe.co.uk. If you have the opportunity, we invite you to visit one of our branches. Remember, supplying details of your car, (i.e. engine, commission or Vehicle Identification Number (VIN) LHD or RHD, year of manufacture and any modifications) saves time and helps us to help you. Please inform us of your customer number, as this will speed up the processing of your order.

Overseas ordering

We accept orders by mail, telephone, e-mail, fax and on-line at www.moss-europe.co.uk. If you visit the U.K. please come and visit one of our branches. When ordering, please ensure that you enclose full details of your name, address and customer number, plus details of your car (i.e. engine, commission or Vehicle Identification Number (VIN) LHD or RHD, year of manufacture and any modifications).

Please note: Overseas orders are often subject to local import duties, taxes and Customs clearance, which will need to be paid for at the point of entry. These charges are NOT included in the price of the goods or delivery prices. All relevant Customs forms and documentation needed to ensure the order arrives with the minimum of delay, will be included with your shipment. If you have any special requirements, please contact us to discuss them. Delivery charges are dependent upon the size and weight of the shipment. If a quotation is required prior to placing an order, please contact the export department at your chosen branch and they will be pleased to supply a full quotation.

Parts back-order system

A back-order system is used when a part is not in stock at the time of ordering. If the item is expected to become available within 6 months, then it will be put on back-order, unless the customer instructs us otherwise. When we have the parts in stock, the back-order will be processed automatically and the item will be dispatched to the customer. If the particular part becomes No Longer Available (NLA) or does not become available within 6 months the back-order will be cancelled. If you are unsure when you placed a back-order contact your local branch.

Dispatch & delivery methods

Orders for delivery in the UK may be dispatched by regular post for small/lightweight items, larger items may be dispatched via a courier. Please call us for the best delivery option for your order and the latest delivery prices. For delivery outside the UK we offer the following services.

- **Economy delivery (by road):** 2 to 5 days (approximately).
- **Express delivery (by air):** 1 to 2 days (Guaranteed) - next day service to most countries.
- **For small and low value orders we also use airmail.**

For these services, please ask for prices and the best delivery option when you place your order. Most deliveries (except airmail) are 'trackable', (inc: e-mail updates and internet access for selected carriers). Please remember, all carriage charges are dependent on weight band, volume, destination and delivery time. If a quotation is required prior to placing your order, please contact a member of the sales department. Alternatively, you can arrange your own delivery and dispatch.

Windscreen delivery information

We always suggest that windscreens should be collected from one of our branches to ensure you are able to transport your glass with the utmost of care. However, we understand that this is not always possible.

To minimise the possibility of damage to the windscreen in the shipping process, it is now Moss Europe's policy to ship windscreens packed in a specially designed heavy duty 'Tri-Wall' cardboard box. The price of this box is £35.00 (inc VAT), non-refundable and is included in the price of the product. The crate's dimensions will also increase shipping costs, particularly in EU countries. The crate dimensions are 150cm x 33cm x 74cm. The maximum volumetric weight is 92kgs. For more information please contact your nearest Moss branch.

Hazardous goods delivery information

At the time of going to print, Moss Europe Ltd conforms to international shipping regulations regarding packaging and transportation of Hazardous Goods by road and sea freight (only). Due to these international shipping regulations and licencing rules all goods deemed as Hazardous are currently available for shipping to the UK and Europe only. If you place an order containing Hazardous goods and your shipping address is not in the UK or Europe, we will not be able to ship this item to you. Please contact your local branch or visit our website www.moss-europe.co.uk for the latest delivery information of Hazardous goods.

Quotations & payment methods

We will be pleased to provide a full parts quotation detailing price, availability and relevant shipping costs. Payment may be made by cash, personal cheque (to the card guarantee limit), Certified Bank Draft, Sterling Travellers Cheques and credit or debit card including: Mastercard, Visa, Delta. If you intend to make payment by Cheque or Bankers Draft when

using our fast mail-order parts service, please confirm parts availability and carriage charges. We can accept payments using PayPal for website, email and phone orders.

Value added tax (VAT)

Value Added Tax (VAT) at the current rate will be levied on all orders being dispatched to all countries within the European Community. EU countries may be charged at their local VAT rate, please contact us or see website for details. VAT is not charged on goods dispatched to countries outside of the EU. However, such orders are often subject to local import duty, taxes and Customs clearance, which MUST be paid by you at the port of entry. Such charges are not included in the cost of the goods or delivery prices.

Exchange units

We are able to offer a full rebuild service on numerous major components in our product range. We offer this service as an alternative to direct replacement parts, or when a brand new item is no longer available. However, the continuity of this exchange scheme needs the understanding and co-operation of our customers in relation to several important points: It is important to remember that "rebuild" does not mean "brand new". Rebuilding a unit involves stripping, cleaning, inspecting and re-assembling the unit. During this process, parts showing signs of wear will either be completely replaced or suitably renovated. However, it is not always feasible for major sub-components to be replaced with brand new ones, for example, an exchange engine will not have a new block. Due to the nature of certain product lines, some items can only be offered on a "one for one" exchange basis. This effectively means that you must offer us a viable unit before we can release a fully rebuilt item from our stock. In some instances we can only carry out reconditioning of your own unit. Our staff will inform you if this is the case.

All exchange units are subject to a surcharge. This surcharge serves two purposes; firstly, it acts as an incentive for you to return your old unit, and secondly it provides us with financial cover if your returned unit proves unsuitable for exchange purposes.

Whether or not your returned unit is suitable for exchange purposes cannot be ascertained until it is made available to us for inspection. As a general rule, suitable for exchange basically excludes any items that are beyond reasonable repair (e.g. crankcases pierced by a connecting rod) or units irrevocably damaged. We are also unable to accept units unless they are returned in whole, complete form (i.e. differential units which are returned partly stripped with no bearings and all the shims missing are not generally accepted), nor do we accept a "box of bits".

Surcharges will only be refunded once our core department has passed the item as serviceable. Under no circumstances can any exchange unit be shipped overseas until we receive your original unit. We have predetermined prices for our exchange units based on our experience of repair costs for a gearbox, axle or engine. Occasionally, however, the damage to the unit is so great that we will contact you before beginning work on your unit to advise you of any additional cost that may be incurred during the rebuild of the unit. We can return the unit (at your cost) if this proves unacceptable.

'Old unit' returns

Exchange items including reconditioned engines are subject to a surcharge that is refunded when a rebuildable unit (core) is returned. When you receive the rebuilt unit, attached to it will be a Core Return Authorisation Tag. This tag must be removed from the rebuilt unit and attached to the returned core in order to receive credit. Cores must be returned within 90 days of purchase in the original box, carton or engine cradle supplied with the rebuilt unit. Cores must be shipped clean and empty of fluids. Cores must be complete, assembled and rebuildable to receive credit or refund. You must pay all shipping charges for the return of the core and these charges are not refundable.

Warranty

All parts are warranted against defects in materials and workmanship for a period of twelve (12) months from the date of purchase. The warranty does not cover failure resulting from incorrect installation or misuse; failure during any competition, motorsports or track events; failure of any, or caused by any, related component. The warranty does not cover labour charges, nor will a warranty settlement be greater than the cost of the original component. Should you need to make a warranty claim, please contact us immediately at the branch of purchase. We will then advise you as to the best course of action. With all warranty claims a copy of the original purchase invoice must be produced.

Warranty returns

Parts that fail in use may be returned for 12 months from the date of purchase. Returns must be accompanied by the original invoice - no warranty claims will be paid without a copy of the original invoice. Return freight will be reimbursed. Electrical parts returned for warranty will be tested and if found functional, no return credit will be given and the part will be returned. Reimbursement is made by the original payment method. Complete the return form included in each order, pack the items securely and use the shipping return label supplied.

Non-warranty returns

All uninstalled parts, in their original packaging may be returned within 90 days for any reason. A copy of the original invoice or the picking label (which is generally attached to the original packaging) must accompany the return. Return freight is paid by the customer. If the return is due to our error, the return freight will be reimbursed. Parts returned outside of this policy or in non-resalable condition may not be accepted or may be assessed a 15% handling fee. Reimbursement is made by the original payment method. Complete the return form included in each order, pack the items securely and use the shipping return label supplied.

Customer service

We value your custom and wish to ensure that you receive the very best service. Every effort will be made to provide you with Quality Parts and Expertise in a relaxed, helpful and friendly manner. Should you consider the service you receive from us to be unsatisfactory, or you have any problems with the part(s) purchased, please advise a member of the sales team at the originating branch. If the matter is not resolved to your satisfaction, please e-mail our Customer Services Department at customerservices@moss-europe.co.uk or write to: **Customer Services, Moss Europe Ltd Unit 16, Hampton Business Park, Bolney Way, Feltham TW13 6DB England.** *We will do our very best to resolve the issue.*

British Motor Heritage

Moss Europe Ltd is a British Motor Heritage approved specialist. Our agreement with British Motor Heritage allows us the use of marque logos and some of the artwork contained within this catalogue.





Paint and colour codes

Here is a list of the colours used on the MGA. The colours are carefully blended to be an exact match to the original paint as used by the factory, but it is worth observing that your car may well have faded from its original colour over the years. For this reason before you start, we recommend that you do a test spray of any aerosol on a piece of old metal or a carefully selected area of the car where a mismatch will not be noticed. The boot or spare wheel area is often a convenient place to do your testing.

We can supply paint in either aerosol or brush-on format (not for spray shop use). The aerosols come in 400ml cans and the brush-on paints are available in 125ml cans with a brush in the cap (#except for engine and chassis paints, which are supplied in 500ml tins).

Key to paint codes

Orient Red (3)
CCRD3 (TU)

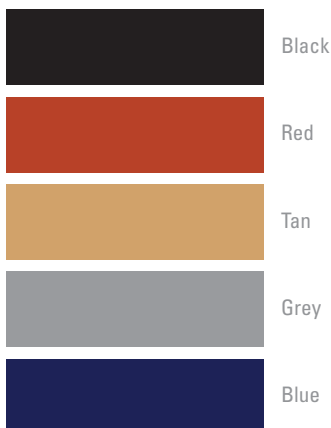
On the right are the paint colours applied to MGA models during production (see example left).

- Orient Red - Is the colour name.
- (3) - The figure in brackets is the original MG factory paint code.
- CCRD3 - Is the Moss paint code.
- (TU) - Means that a touch up option is available.
- *NLA - Means that the colour is no longer available from Moss.

Orient Red (paint code 3) was available for all model year cars. It is available from Moss as an aerosol (part no. CCRD3) or as a touch up can (part no. CCRD9TU).

Trim colours

Moss supply trim for the MGA, 1500cc, 1600cc and Twin Cam, from complete interior trim kits right through to replacement door trim panels. Moss can supply these in both leather and vinyl materials. The colours available were: black, red, tan, grey and blue. Our interior trim kits are all made from original colour vinyls of correct specification mounted on accurately die cut boards. Much time and money has been invested in producing exact replacement parts including the tooling to produce original heat formed patterns. Please see the colour chart below or contact Moss Europe for full details.



MGA 1500 and Early Twin Cam

Old English White (3)
CCWT3 (TU)

Black (1)
CCSB1 (TU)

Orient Red (3)
CCRD3 (TU)

Mineral Blue *Coupé only* (9)
CCBU9 (TU)

Glacier Blue *Roadster only* (4)
CCBU4 (TU)

Island Green *Coupé to 48979* (6)
CCGN6 (TU)

Tyrolite Green *Roadster to 48979* (7)
CCGN7 (TU) *NLA

Ash Green *from to 48980* (2)
CCGN2 (TU) *NLA

MGA 1600, MkII and Twin Cam

Old English White (3)
CCWT3 (TU)

Black (1)
CCSB1 (TU)

Chariot Red (16A)
CCRD16A (TU)

Iris Blue (12A)
CCBU12A (TU)

Dove Grey (26)
CCGR26 (TU)

Alamo Beige (26)
CCBG9 (TU)

Miscellaneous paints

Tan *hood frame*
CCHP1

Maroon *engine paint*#
CCEP1 (TU)

Silver *wheel paint*
CCWP1 (TU)

Black Enamel *chassis paint*#
CCCB1 (TU)

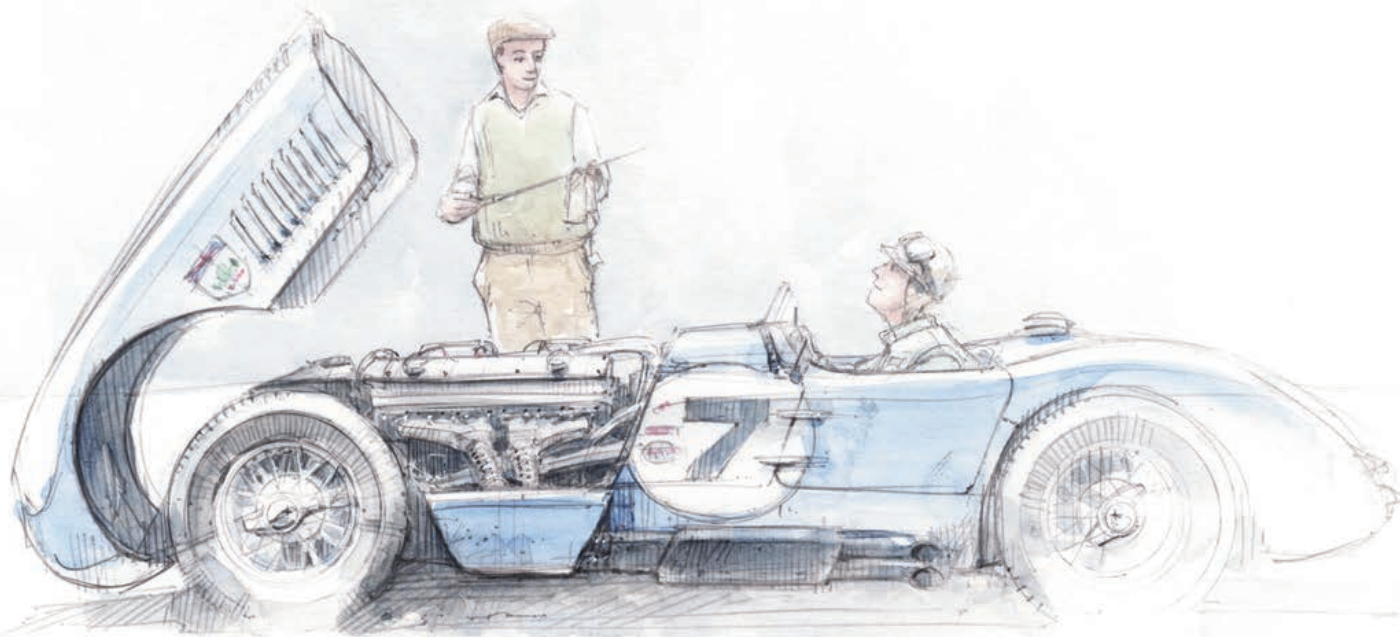
Black Semi-gloss *air cleaner*
CCSB1 (TU)

Yellow *cooling fan*
CCEP11 (TU)

Grey Primer *high build*
CCP1 (TU)

DYNOLITE

EUROPE'S CLASSIC MOTOR OIL



Dynolite Oil produces high quality oils and lubricants for vintage, classic and racing applications. Including lubricants for engines, gearboxes, steering boxes and greases. Dynolite lubricants are specially developed for historic vehicles to offer far superior mechanical protection.

www.dynolite.com

Dynolite Stockist: Moss Europe Ltd +44 (0)20 8867 2020



LONDON

LONDON

Unit 16, Hampton Business Park
Bolney Way, Feltham
TW13 6DB

London Tel

+44 (0) 20 8867 2020

E-mail

sales@moss-europe.co.uk

Fax

+44 (0) 20 8867 2030



BRADFORD

BRADFORD

Unit 12-13, Acorn Park Ind. Est.
Otley Road, Shipley
BD17 7SW

Bradford Tel

+44 (0) 1274 539 999

E-mail

bradford@moss-europe.co.uk

Fax

+44 (0) 1274 539 990



BRISTOL

BRISTOL

1-3 Elton Street
Bristol
BS2 9EH

Bristol Tel

+44 (0) 117 923 2523

E-mail

bristol@moss-europe.co.uk

Fax

+44 (0) 117 942 8236



MANCHESTER

MANCHESTER

111-117 Stockport Road
Stockport, Cheshire
SK3 0JE

Manchester Tel

+44 (0) 161 480 6402

E-mail

manchester@moss-europe.co.uk

Fax

+44 (0) 161 429 0349



PARIS MOTOR DREAM

PARIS

7 rue Chaponval
ZAC du Cornouiller
78870 Bailly, France

Paris Tel

+33 (0) 1 30 80 20 30

E-mail

sales@moss-europe.fr

Sav

+33 (0) 1 30 80 21 50

Moss Website
moss-europe.co.uk

 stores.ebay.co.uk/moss-europe-ltd

 Facebook
facebook.com/mosseurope

 Twitter
twitter.com/mosseurope

 Pinterest
pinterest.com/mosseurope

Moss Paris Website
moss-europe.fr